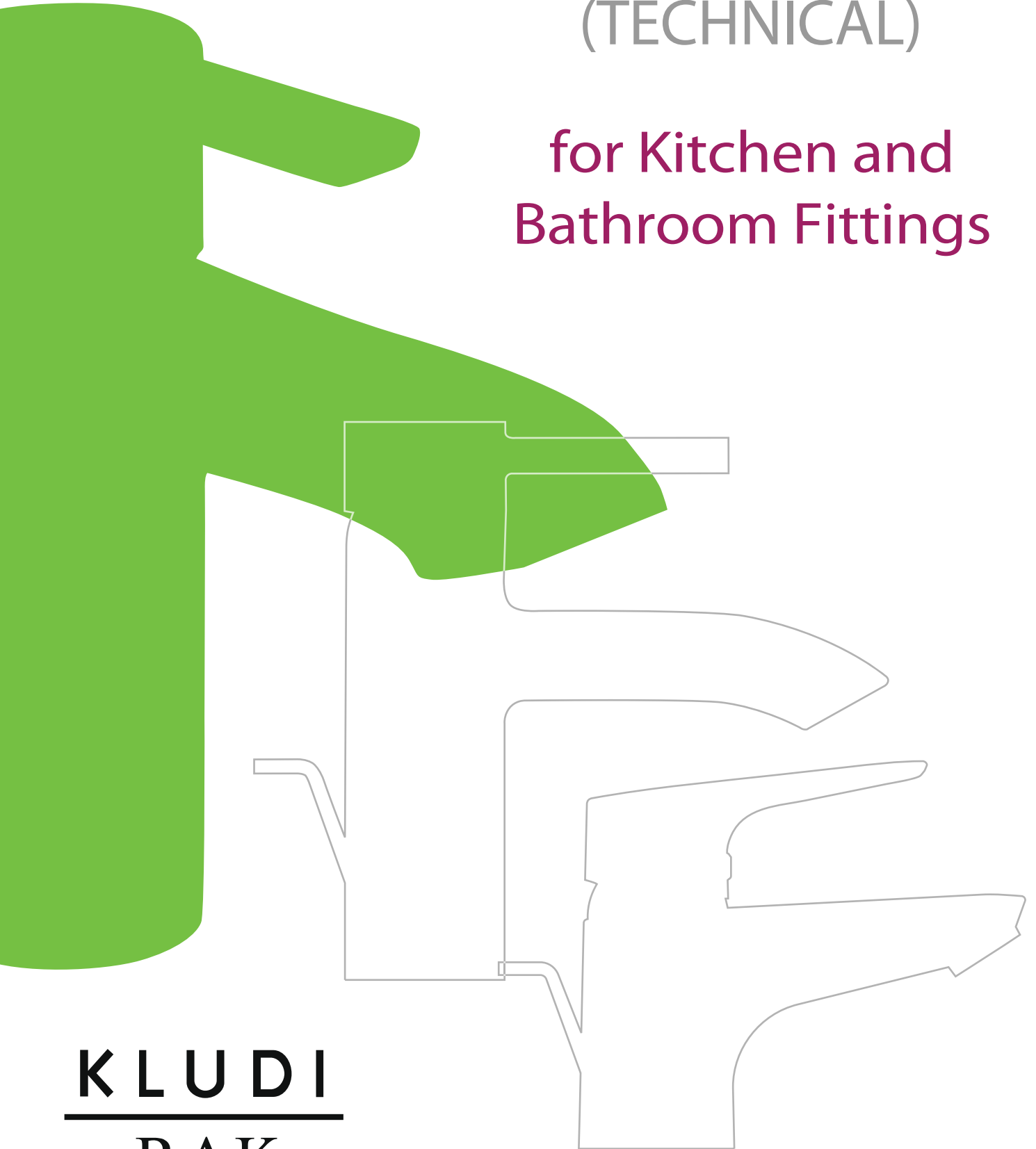


GERMAN FAUCETS MADE IN UAE

# CATALOGUE (TECHNICAL)

for Kitchen and  
Bathroom Fittings



**KLUDI**  

---

**RAK**

*"We stand for Water saving"*



# Contents

TOPICS	PAGES
1 Introduction	
2 Green Building	
3 Certificates	
4 Product Details (Technical)	
Paragon Mixers	01-12
Profile Mixers	01-12
Passion Mixers	01-12
Prime Mixers	13-27
Project Mixers	28-45
Polaris Mixers	46-60
Polo Mixers	61-68
Prime Showers	69-83
Project & Polaris Showers	84-102
Premier	103-109
Prism	103-109
Allied Items	110-117





Aerial view of Rak Ceramics group

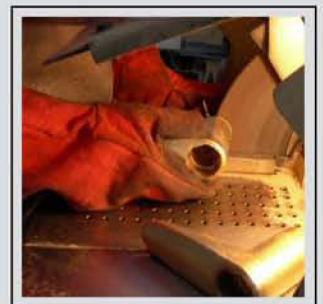
## Introduction

KLUDI RAK is a limited liability company headquartered in the Emirates of Ras Al Khaimah manufacturing high quality fittings to reflect current demand of well-designed timeless bathroom architecture.

The company is a synergetic combination of two leaders in the field of design, manufacturing and marketing; KLUDI, a high-profile German manufacturer in kitchen and bathroom fittings and RAK CERAMICS, the world largest ceramic manufacturer with a significant market share in the ceramic & bathroom fittings industry. KLUDI RAK is now aptly based at RAK, and thus centrally located to cater to the rapidly expanding Middle east and South Asian markets.

The company is equipped with the latest in European technology. It has the expertise and skills for development, design and manufacture of fittings that combine technical perfection and high functionality of all the KLUDI RAK products, which are a perfect showpiece of German technology at its best. KLUDI RAK also prides itself as the fittings specialist with high-grade material imported from Germany. In the hands of a well experienced workforce ensures consistency, innovation and careful workmanship with the advantage of excellent product service and long lasting quality.

KLUDI RAK aims to service the industry of kitchen and bathroom fittings in the Middle East market. The innovative and trendsetting new designs of KLUDI RAK are all set to take the field of bathroom architecture to a new level.





# Efforts to sustain the earth in a sound, healthy state

Based on the belief that businesses should operate without harming the global environment, KLUDI RAK attempts to minimize environmental burdens resulting from corporate activities, products, and services. To do this effectively, it has committed itself to diversified environmental conservation activities of the Green Building 2008 which is the mid- and long-term environmental conservation project of the RAK Ceramics Group.

As part of these activities, we are committed to saving energy, reducing and recycling wastes, and diminishing the use of chemicals and water. The main target of our energy-saving activities will be focused on the reduction of carbon-dioxide. To reduce and recycle wastes, we will continue to recycle almost all wastes we produce.

Concerning a reduction in the use of chemicals, we designate the chemicals that have a great effect on the environment as priority substances among those used in our production process. We then perform activities to reduce the absolute amount of these chemicals emitted or transported. The quality of the effluence is also of prime concern to KLUDI RAK. The onsite laboratory of KLUDI RAK ensures that all chemicals and all effluence confirms prescribed safety standards

To reduce water use, we repeatedly circulate and reuse this critical resource to the maximum extent. Waste water formed during the production process is treated in a purpose build water treatment plan that eventually creates clean water that can even be used for gardening.

We promote the development of environment-friendly products by realizing compact packaging, adopting power-saving specifications, and developing water saving aerators lead-free products and product series that use toxin free raw materials.

We will commit ourselves to improving each of these activities according to the ISO 14001 international standards (environment management systems), thus contributing to environmental conservation regionally and globally.

# **CERTIFICATES**



**BUREAU VERITAS**  
Certification



## Certification

Awarded to

**KLUDI RAK L.L.C.**



*"We Stand for water Saving"*

**P. O. BOX 6679, RAS AL KHAIMAH,  
UNITED ARAB EMIRATES.**

*Bureau Veritas Certification Holding SAS – UK Branch certify that the Management System of the above organisation has been audited and found to be in accordance with the requirements of the management system standards detailed below*

*Standards*

**ISO 9001:2008**

*Scope of Certification*

**MANUFACTURE AND SUPPLY OF  
KITCHEN AND BATHROOM FITTINGS.**

Certification cycle start date: **16<sup>TH</sup> MARCH 2015**

Subject to the continued satisfactory operation of the organisation's Management System, this certificate expires on: **15<sup>TH</sup> MARCH 2018**

Original certification date: **16<sup>TH</sup> MARCH 2009**

Certificate No. **IND15.6166U/Q**

Version No. **1**, Revision date: **09/03/2015**

*Signed on behalf of BVCH SAS UK Branch*

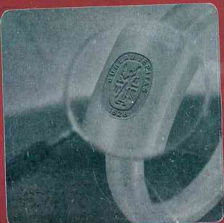
BUREAU VERITAS  
CERTIFICATION (Holding) S.A.  
using the accreditation certificate  
number 008



Certification body address: 66 Prescott Street, London E1 8HG, United Kingdom  
Local office: Bureau Veritas Certification, P.O Box 9110, 211 Second Floor, 2nd of December Street,  
Dune Center, Satwa, Dubai, UAE

Further clarifications regarding the scope of this certificate and the applicability of the management system requirements may be obtained by consulting the organisation.

To check this certificate validity please call: 00971 4 3074400







*This is to certify that*

**KLUDI RAK**

*Supports the promotion and development of Sustainable Buildings  
in the United Arab Emirates, and is a*

**Corporate Member**  
*of the*

**مجلس الإمارات للبناء الخضراء  
Emirates Green Building Council**

*January 2015 – December 2015*

**Saeed Al Abbar**  
Chairman

**Habiba Al Marashi**  
Founder & Treasurer



## شهادة ترخيص بإستعمال علامة الجودة



الهيئة السعودية للمواصفات والمقاييس والجودة  
Saudi Standards, Metrology and Quality Org.



تشهد الهيئة السعودية للمواصفات والمقاييس والجودة بأنها رخصت  
لشركة كلودي راك للتركيبات الصحية  
عنوانها : ص.ب ٦٦٧٩ رأس الخيمة - الإمارات العربية المتحدة  
بإستعمال علامة الجودة على منتجاتها التالية :

الأدوات و التركيبات الصحية [خلط حوض (وجه) ، خلط شطاف ، خلط دش وحوض إستحمام ،  
خلط دش ، خلط مطبخ] فقط.

حسب المواصفات القياسية السعودية :

رقم SASO 2655/2008.

ولمدة عام واحد ابتداءً من ١٤٣٤/٠٧/٢٦ هـ الموافق ٢٠١٣/٠٦/٠٥ م.

تخضع هذه الشهادة خلال مدة سريانها للأنظمة واللوائح ذات العلاقة في المملكة العربية السعودية وأي تعليمات  
أو تعديلات تصدرها الهيئة. *ذ.ر.ع*

محافظ الهيئة  
سعد بن عثمان القسبي



رقم الترخيص : ١٤٣٣/٣٥٧





Government of Ras Al Khaimah  
RAK Investment Authority

حكومة رأس الخيمة  
هيئة رأس الخيمة للاستثمار

# رخصة LICENCE

RAKIA 35 IZ2 06 06 0013

صناعية  
INDUSTRIAL

نوع الرخصة  
License Type

رقم الرخصة  
License No.

المُرخص / Licensee كلودي راك ش.ذ.م.م.  
Kludi RAK LLC

أصحاب الترخيص / Partners Name

سيراميك رأس الخيمة ش.م.ع

كلودي اسيا القابضة جي ام بي اتش

الإسم التجاري :

النشاط :

بيع الأدوات الصحية وتمديداتها - بالتجزئة, تجارة الأدوات الصحية وتمديداتها - بالجملة, صناعة  
الحنفيات والمحابس , صناعة أطقم وادوات الحمامات

اسم المدير / بيرند نيداردت

Bernd Neidhardt / Manager Name

الشكل القانوني / شركة ذات مسؤولية محدودة

Limited Liability Company / Legal Staus

بيانات موقع العمل

المنطقة الجزيرة الحمراء  
Area

مالك العقار هيئة رأس الخيمة للاستثمار  
Real Estate Owner

هاتف 07 2447758  
Tel

تاريخ الإصدار : 19/06/2006  
Issue Date

تاريخ التجديد : 22/06/2014  
Renewed On

تاريخ التعديل :  
Amended On

تاريخ الإنهاء : 18/06/2015  
Expiry Date

## Work Location Data :

رقم المكتب/ الشقة  
Office /Flat No  
6679  
ص.ب.  
P.O.BOX

الشارع  
Street  
رقم العقار  
Real Estate  
فكس  
Fax  
07 2447759

المنطقة  
Area  
مالك العقار  
Real Estate Owner  
هاتف  
Tel  
07 2447758



Signature of Chief Executive Officer

Chief Executive Officer

P.O. Box. 31291, Ras Al Khaimah, United Arab Emirates  
Tel.: +971 7 2068666, Fax : +971 7 2434464, Website : www.rak-ia.com  
administration@rakinvestmentauthority.com

Sign.

Sign.



# DIN-DVGW-Baumusterprüfzertifikat


## DIN-DVGW type examination certificate

**NW-6509BM0037**

Registriernummer  
registration number

<b>Anwendungsbereich</b> <i>field of application</i>	Produkte der Wasserversorgung <i>products of water supply</i>
<b>Zertifikatinhaber</b> <i>owner of certificate</i>	KLUDI GmbH & Co. KG Am Vogelsang 31-33, D-58706 Menden
<b>Vertreiber</b> <i>distributor</i>	KLUDI GmbH & Co. KG Am Vogelsang 31-33, D-58706 Menden
<b>Produktart</b> <i>product category</i>	Sanitärarmaturen: Thermostatarmatur (6509)
<b>Produktbezeichnung</b> <i>product description</i>	Zweiloch-Thermostatbatterie
<b>Modell</b> <i>model</i>	Kludi-Objekta-Therm-E
<b>Prüfberichte</b> <i>test reports</i>	Kontrollprüfung Labor: 5351069-01 vom 24.01.2006 (LGW) Mechanikprüfung: 0120169-01 vom 07.02.2001 (LGW) KTW-Prüfung: vom 06.02.2002 (TZW) KTW-Prüfung: vom 05.12.2002 (TZW) KTW-Prüfung: KA 598A/04 vom 18.03.2005 (TZW) KTW-Prüfung: vom 08.03.2001 (TZW) KTW-Prüfung: vom 15.05.2002 (TZW) KTW-Prüfung: vom 01.04.2004 (TZW)
<b>Prüfgrundlagen</b> <i>basis of type examination</i>	DIN EN 1111 (01.08.1998) BGA KTW (07.01.1977)
<b>Ablaufdatum / AZ</b> <i>date of expiry / file no.</i>	07.02.2011 / 05-0314-WNV

28.08.2006 Rie A-1/2

  
Datum, Bearbeiter, Blatt, Leiter der Zertifizierungsstelle  
date, issued by, sheet, head of certification body

DVGW-Zertifizierungsstelle - von der Deutschen Akkreditierungsstelle Technik (DATech) e.V. akkreditiert für die Konformitätsbewertung von Produkten der Gas- und Wasserversorgung

DVGW Certification Body - accredited by Deutsche Akkreditierungsstelle Technik (DATech) e.V. for conformity assessment of products of gas and water supply



DAT-ZE-009/96-02

DVGW Deutsche Vereinigung  
des Gas- und Wasserfaches e.V.  
Technisch-wissenschaftlicher  
Verein

Zertifizierungsstelle  
Josef-Wirmer-Straße 1-3  
53123 Bonn

Telefon: +49 (228) 91 88 807  
Telefax: +49 (228) 91 88 993



# Declaration of Conformity

**Manufacturer:**

KLUDI GmbH & Co. KG  
AM VOGELSANG 31 - 33  
GERMANY 58706 MENDEN

**Products:****KLUDI PROFILE**

RAK14000, RAK14000UK, RAK14001, RAK14005, RAK1420, RAK14002, RAK14003, RAK14006,  
RAK14008, RAK14000-01, RAK14001-01, RAK14000UK, RAK14001UK, RAK14004, RAK14021,  
RAK14022, RAK14015UK, RAK14016UK, RAK14018, RAK14019, RAK14020,

**KLUDI PASSION**

RAK13000UK, RAK13001UK, RAK13000, RAK13000-01, RAK13001, RAK13001-01, RAK13002,  
RAK13002CH, RAK13003, RAK13005, RAK13005CH, RAK13006, RAK13008, RAK13009, RAK10007,  
RAK13007, RAK13017, RAK10011, RAK10012, RAK13015UK, RAK13016UK, RAK13019, RAK13012,  
RAK130100, RAK13000-01, RAK13001-01, RAK13000UK, RAK13001UK, RAK10013, RAK11012,  
RAK11013, RAK12013, RAK12014, RAK13018,

The components of designate products comply to the following european standards:

**Standards:** DIN- EN 817 /- EN 1111 /- EN 200 /- EN 1717 /- EN 1112 /- EN 1113 /  
DIN 50930-6 / DIN 4109

The products comply to the a.m. standards.

**Issued by:**

KLUDI GmbH & Co. KG  
Menden, 04.11.2009

KLUDI application tec.  
Jan- Hendrik Haumann



The safety and mounting instructions must be obeyed! This declaration is only for the conformity with the above mentioned standards, not to promise specially quality. All technical documents are content of this declaration and are kept at manufacturer 10 years after last date of production.

Checked by AWT: 04.11.2009

Jan-Hendrik Haumann

Checked by QM: 04.11.2009

Bernd Peter Neidhardt

● KLUDI ●



**ZERTIFIKAT NR. 0902 - 5520**

Zertifizierungsantrag: KLUDI GmbH & Co. KG, Am Vogelsang 31-33, DE- 58706 Menden  
vom: 16.02.2009

Gestützt auf das Prüf- und Zertifizierungsreglement der Technischen Prüfstelle Wasser (W/TPW 101)  
zertifiziert der SVGW die folgenden Serienprodukte:

Rubrik: Ausflussventile  
Bezeichnung: POLARIS  
Modelle / Typen: RAK10000, RAK10001, RAK10002S mit AW Pax, RAK10003, RAK10003S,  
RAK10003S mit AW Pax, RAK10004  
DN: - PN: 10 tmax. = 90 °C

Zertifizierungsgrundlage: SVGW W/TPW 107/2 (11/08), EN 817 (06/08)

Gültigkeit: 31.08.2015

Der Auftraggeber ist berechtigt, die oben erwähnten Produkte als SVGW zertifiziert anzubieten und das  
SVGW-Konformitätszeichen zu verwenden (Publikation im Zertifizierungsverzeichnis Wasser).

Bemerkungen / Auflagen: Armaturengeräuschgruppe: I A (RAK10000, RAK10001, RAK10004); I B  
(RAK10003); II B (RAK10003S, RAK10003S mit AW Pax); II C/B (RAK10002S  
mit AW Pax)

Schweizerischer Verein des Gas- und Wasserfaches

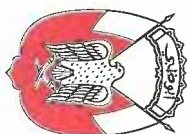


akkreditiert  
nach  
SN EN 45011  
SCESp 028

Zürich, 30. August 2010

Geschäftsleitung

Zertifizierungsstelle Wasser



مجلس أبوظبي للتجودة والامتثال  
ABU DHABI QUALITY AND CONFORMITY COUNCIL



## Certificate of Conformity

Certificate No.: QAD 12.1.1.WF

Date: 11-09-2012

This Certificate is Issued to:

**KLUDI RAK**

P.O Box: 6679, Ras Al Khaimah, United Arab Emirates

Product:

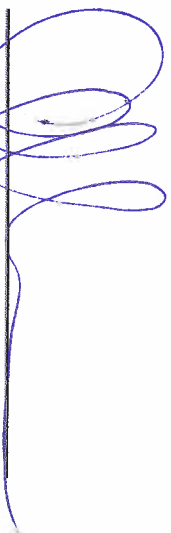
**POLARIS**

Model:

RAK10000-01, RAK10001-01, RAK10002-86, RAK10003-21, RAK10004-01

According to the QCC Water Fixtures Assessment and Surveillance Plan (v.1.0)



  
Certification Committee Chairman





مجلس أبوظبي للتجارة والحدود  
ABU DHABI QUALITY AND CONFORMITY COUNCIL



## Certificate of Conformity

Certificate No.: QAD 12.5.1.WF

Date: 11-09-2012

This Certificate is Issued to:

**KLUDI RAK**

P.O Box: 6679, Ras Al Khaimah, United Arab Emirates

Product:

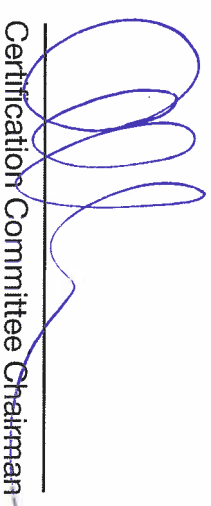
**POLO**

Model:

RAK30000-01, RAK30001-01, RAK30002-86, RAK30003-21, RAK30004-01

According to the QCC Water Fixtures Assessment and Surveillance Plan (v.1.0)



  
Certification Committee Chairman



مجلس أبوظبي للجودة والمطابقة  
ABU DHABI QUALITY AND CONFORMITY COUNCIL

## Certificate of Conformity

Certificate No.: QAD 12.2.1.WF

Date: 11-09-2012

This Certificate is Issued to:

# KLUDI RAK

P.O Box: 6679, Ras Al Khaimah, United Arab Emirates

Product:

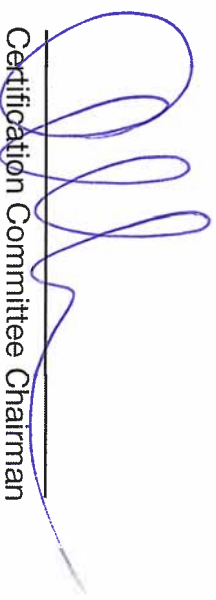
## PROJECT

Model:

RAK11000-01, RAK11001-01, RAK11002-86, RAK11005-21, RAK11008-01

Accordance to the QCC Water Fixtures Assessment and Surveillance Plan (v.1.0)



  
Certification Committee Chairman



مجلس أبوظبي للجودة والمطابقة  
ABU DHABI QUALITY AND CONFORMITY COUNCIL



## Certificate of Conformity

Certificate No.: QAD 12.3.1.WF

Date: 11-09-2012

This Certificate is Issued to

**KLUDI RAK**

P.O Box: 6679, Ras Al Khaimah, United Arab Emirates

Product:

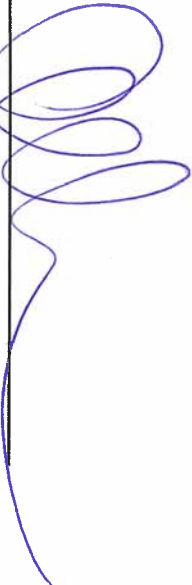
**PRIME**

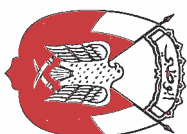
Model:

RAK12000-01, RAK12001-01, RAK12003-01, RAK12004-86, RAK12008-21, RAK12012-01

Accordance to the QCC Water Fixtures Assessment and Surveillance Plan (v.1.0)



  
Certification Committee Chairman



مجلس أبوظبي للجودة والمطابقة  
ABU DHABI QUALITY AND CONFORMITY COUNCIL

## Certificate of Conformity

Certificate No.: QAD 12.4.1.WF

Date: 11-09-2012

This Certificate is Issued to

**KLUDI RAK**

P.O Box: 6679, Ras Al Khaimah, United Arab Emirates

Product:

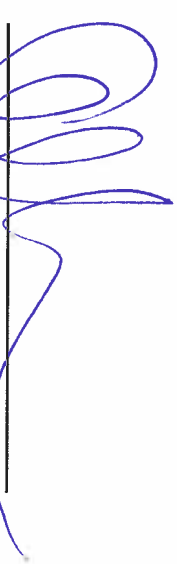
**PASSION**

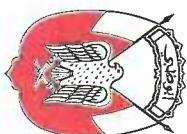
Model:

RAK13000-01, RAK13001-01, RAK13002-86, RAK13005-21, RAK13012-01

According to the QCC Water Fixtures Assessment and Surveillance Plan (v.1.0)



  
Certification Committee Chairman



مجلس أبوظبي للمطابقة والجودة  
ABU DHABI QUALITY AND CONFORMITY COUNCIL

## Certificate of Conformity

Certificate No.: QAD 12.6.1.WF

Date: 11-09-2012

This Certificate is Issued to:

### **KLUDI RAK**

P.O Box: 6679, Ras Al Khaimah, United Arab Emirates

Product:

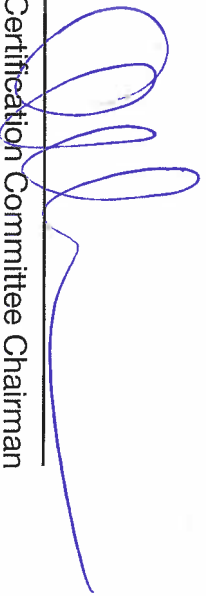
**PROFILE**

Model:

RAK14000-01, RAK14001-01, RAK14002-86, RAK14005-21

According to the QCC Water Fixtures Assessment and Surveillance Plan (v.1.0)



  
Certification Committee Chairman



# KLUDI RAK

## DECLARATION OF CONFORMITY

**Manufacturer:**

**KLUDI RAK LLC  
P.O. Box 6679  
Ras Al Khaimah  
United Arab Emirates**

**Products:**

**KLUDI RAK LLC POLARIS**

RAK10000, RAK10000-01, RAK10001, RAK10001-01, RAK10002, RAK10002 S, RAK10003, RAK10003 S, RAK10004, RAK10004-01,

**KLUDI RAK LLC PROJECT**

RAK11000, RAK11000-01, RAK11001, RAK11001-01, RAK11002, RAK11003, RAK11004, RAK11005, RAK11006, RAK11008, RAK11008-01,

**KLUDI RAK LLC PRIME**

RAK12000, RAK12000-01, RAK12001, RAK12002, RAK12003, RAK12003-01, RAK12004, RAK12005, RAK12006, RAK12007, RAK12008, RAK12009, RAK12010, RAK12011, RAK12012,

**KLUDI RAK LLC STANDARD**

1010505-00, 1025005-00, 143030508, 29209, 29211, 29213, 204070508, 300230508, 210370508, 250010508, 251250508, 310550508, 316230508,

**KLUDI RAK LLC SHOWERS**

6060005-00, 6070005-00, 6080005-00, 6075005-00, 6065005-00, 6061005-00, 6062005-00, 6083005-00, 6084005-00, 6073005-00, 6074005-00, 6063005-00, 6064005-00, 6057605-00, 6067705-00, 6011205-81, 6012205-81, 6013105-81, 6014105-81, 6020005-81, 6023105-81, 6024105-81, 6030005-81, 6033105-81, 6034105-81, 6055105-00, 6105605-00, 6167705-00, 7310005-00,

**The components of designate products comply to the following european standards:**

**standards:**

..- EN 817 / EN 1111 / EN 200 / EN 4109 / EN 1112 / EN 1113  
 ..- EN 19545 / EN 274 / EN 50930-6, NF-077,  
 .. -EN = DIN-EN, BS-EN, SS-EN, SN-EN, TS-EN, •SN-EN, SFS-EN,  
 PN-EN, NP-EN, E•OT-EN, NS-EN, DS-EN,

**The products comply to the a. m. standards.**

**Issued by:**

**KLUDI RAK LLC**

**GERMANY, 23.08.2008**

**Kludi GmbH & Co. KG  
Am Vogelsang 31 - 33  
58706 Menden**

  
.....  
**application technology**

The safety and mounting instructions must be obeyed! This declaration is only for the conformity with the above mentioned standards, not to promise specially quality. All technical documents are content of this declaration and are kept at manufacturer 10 years after last date of production.

checked:	by application technology:	by Managing Director:	release:
date	23.04.2008	23.04.2008	
JAN- HENDRIK HAUMANN		BERND P. NEIDHARDT	







**ZERTIFIKAT NR. 0902 - 5520**

Zertifizierungsantrag: KLUDI GmbH & Co. KG, Am Vogelsang 31-33, DE- 58706 Menden  
vom: 16.02.2009

Gestützt auf das Prüf- und Zertifizierungsreglement der Technischen Prüfstelle Wasser (W/TPW 101)  
zertifiziert der SVGW die folgenden Serienprodukte:

Rubrik: Ausflussventile

Bezeichnung: POLARIS

Modelle / Typen: RAK10000, RAK10001, RAK10002S mit AW Pax, RAK10003, RAK10003S,  
RAK10003S mit AW Pax, RAK10004  
DN: - PN: 10 tmax. = 90 °C

Zertifizierungsgrundlage: SVGW W/TPW 107/2 (11/08), EN 817 (06/08)

Gültigkeit: 31.08.2015

Der Auftraggeber ist berechtigt, die oben erwähnten Produkte als SVGW zertifiziert anzubieten und das  
SVGW-Konformitätszeichen zu verwenden (Publikation im Zertifizierungsverzeichnis Wasser).

Bemerkungen / Auflagen: Armaturengeräuschgruppe: I A (RAK10000, RAK10001, RAK10004); I B  
(RAK10003); II B (RAK10003S, RAK10003S mit AW Pax); II C/B (RAK10002S  
mit AW Pax)

Schweizerischer Verein des Gas- und Wasserfaches



akkreditiert  
nach  
SN EN 45011  
SCESp 028

Zürich, 30. August 2010

Geschäftsleitung

Zertifizierungsstelle Wasser





## Product Certificate

### STANDARDS ORGANISATION OF NIGERIA CONFORMITY ASSESSMENT PROGRAMME

Product Certificate No.: COAE2022259

Issued to: KLUDI-RAK LLC

Issue Date: 15 FEBRUARY 2010

Last Revised Date: 01 JULY 2010

Remarks: \* (x: 1 - 9)

Issued by: Maha Shaher

SONCO, AE2 - ITS U.A.E.

SONCO manager (Intertek)



This Product Certificate is for the exclusive use of Intertek's Client and is provided pursuant to the agreement between Intertek and its Client. Intertek's responsibility and liability are limited to the terms and conditions of the agreement. Intertek assumes no liability to any party, other than to the Client in accordance with the agreement, for any loss, expense or damage occasioned by the use of this Product Certificate. Only the Client is authorized to permit copying or distribution of this Product Certificate and then only in its entirety. Any use of the Intertek name for the sale or advertisement of the tested material, product or service must first be approved in writing by Intertek.

The Product Certificate cannot be used for Customs clearance purposes at Nigerian Ports. For this, another certificate called the SONCAP Certificate has to be obtained from the SONCAP Country Offices for every shipment of regulated products exported to Nigeria.



# TECHNICAL DETAILS

**Product:** HARMONY single lever basin mixer DN10

**Ref.:** RAK15000

**Product description**

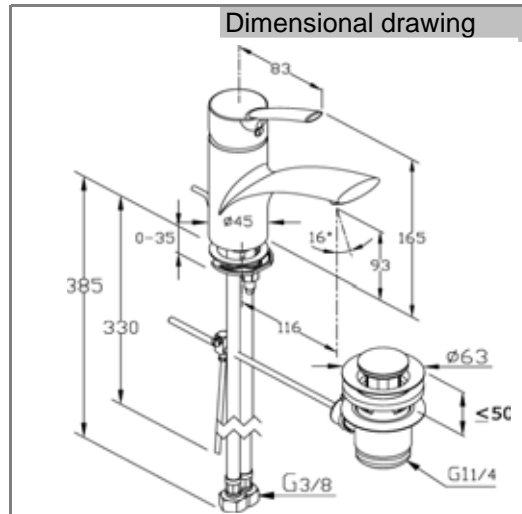
solid lever  
 single hole mounted  
 flow class A  
 aerator M24 x I  
 ceramic cartridge with hot water safety device  
 pop up waste 1 ¼ inch  
 flexible high pressure supply tubes 3/8 inch  
 rapid installation set  
 in accordance to ..EN817

Finishes:  
 05 chrome plated

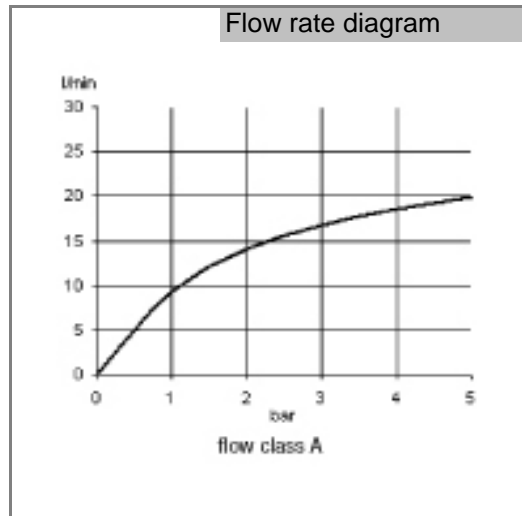


**Advertisement**

- \* KLUDI RAK LLC item no. RAK15000
- \*\* chrome plated brass, in accordance to...EN 50930-6
- \*\*\* in accordance to ..EN 817
- \*\*\*\* ceramic cartridge with hot water safety device Ø35mm



single lever basin mixer, manufacturer KLUDI RAK LLC item no. RAK15000, DN 10, chrome plated brass, ceramic cartridge with hot water safety device Ø35 mm, solid lever, noise level DIN EN 4109 group I, report no. P-IX....., type: single lever basin mixer DN 10, flow class A (max.0.25 l/s), aerator M24 x IA, flexible high pressure supply tubes 3/8 inch with DVGW / KIWA / WRAS approval with metal body length 385mm, nozzle projection 116mm, nozzle height 93mm, lever projection 83mm, rapid installation set, overall height 165mm, for pressure type water heater, for continuous line heater.



**KLUDI**  
**RAK**



**Product:** HARMONY single lever basin mixer DN15

**Ref.:** RAK15000-01

**Product description**

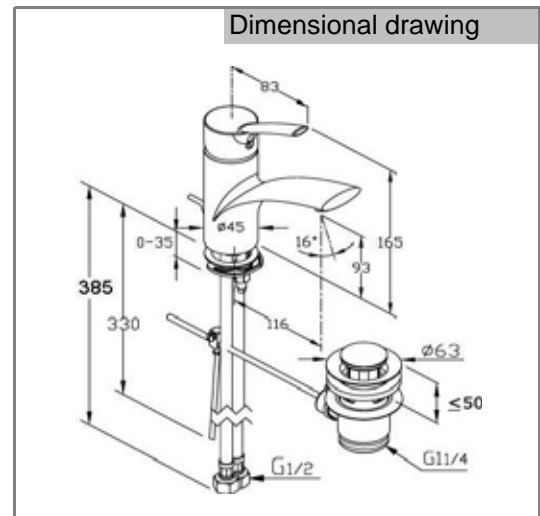
solid lever  
 single hole mounted  
 flow level 6 l/min.  
 PCA aerator M24 x I  
 ceramic cartridge with hot water safety device  
 pop up waste 1 ¼ inch  
 flexible high pressure supply tubes 1/2 inch  
 rapid installation set  
 in accordance to ..EN817  
[Pressure Compensating Aerator 6,0 l/m](#)

Finishes:  
 05 chrome plated

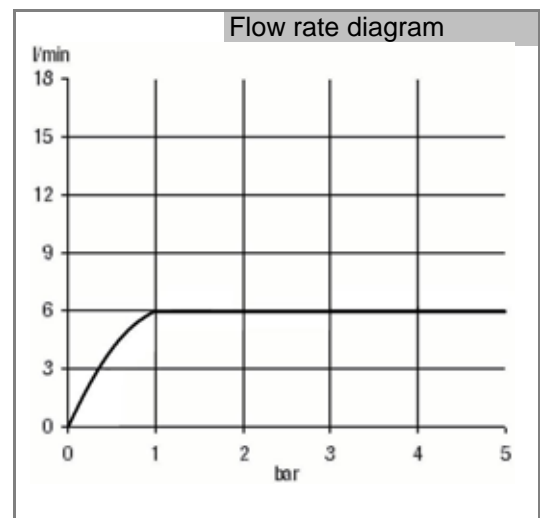


**Advertisement**

- \* KLUDI RAK LLC item no. RAK15000-01
- \*\* chrome plated brass, in accordance to...EN 50930-6
- \*\*\* in accordance to ..EN 817
- \*\*\*\* ceramic cartridge with hot water safety device Ø35mm



single lever basin mixer, manufacturer KLUDI RAK LLC item no. RAK15000-01, DN 15, chrome plated brass, ceramic cartridge with hot water safety device Ø35 mm, solid lever, noise level DIN EN 4109 group I, report no. P-IX....., type: single lever basin mixer DN 15, flow level 6,0 l/m, aerator M24 x IA, flexible high pressure supply tubes 1/2 inch with DVGW / KIWA / WRAS approval with metal body length 385mm, nozzle projection 116mm, nozzle height 93mm, lever projection 83mm, rapid installation set, overall height 165mm, for pressure type water heater, for continuous line heater.



**Product:** HARMONY single lever bidet mixer DN10

**Ref.:** RAK15001

**Product description**

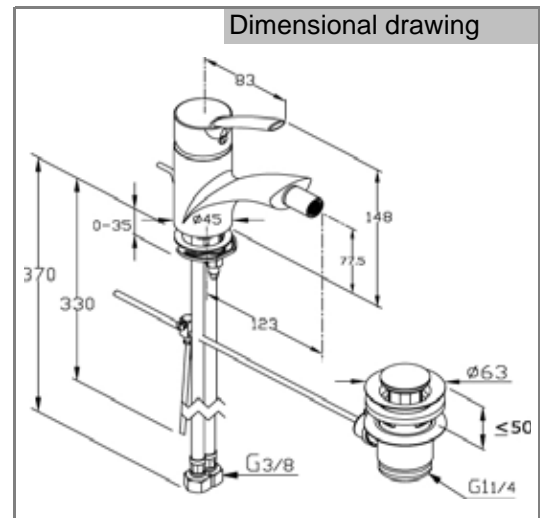
solid lever  
 single hole mounted  
 flow class A  
 aerator M24 x I  
 ceramic cartridge with hot water safety device  
 pop up waste 1 ¼ inch  
 flexible high pressure supply tubes 3/8 inch  
 rapid installation set  
 in accordance to ..EN817

Finishes:  
 05 chrome plated

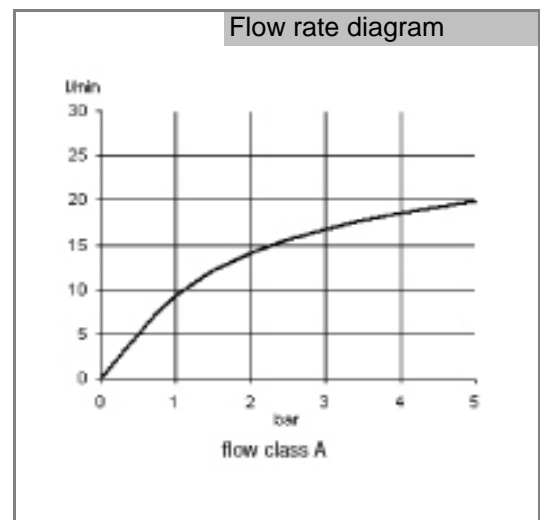


**Advertisement**

- \* KLUDI RAK LLC item no. RAK15001
- \*\* chrome plated brass, in accordance to...EN 50930-6
- \*\*\* in accordance to ..EN 817
- \*\*\*\* ceramic cartridge with hot water safety device Ø35mm



single lever bidet mixer, manufacturer KLUDI RAK LLC item no. RAK15001, DN 10, chrome plated brass, ceramic cartridge with hot water safety device Ø35 mm, solid lever, noise level DIN EN 4109 group I, report no. P-IX...., type: single lever bidet mixer DN 10, flow class A (max.0.25 l/s), aerator M24 x IA, flexible high pressure supply tubes 3/8 inch with DVGW / KIWA / WRAS approval with metal body length 370mm, nozzle projection 123mm, nozzle height 77.5mm, lever projection 83mm, rapid installation set, overall height 148mm, for pressure type water heater, for continuous line heater.



**Product:** HARMONY single lever bidet mixer DN15

**Ref.:** RAK15001-01

**Product description**

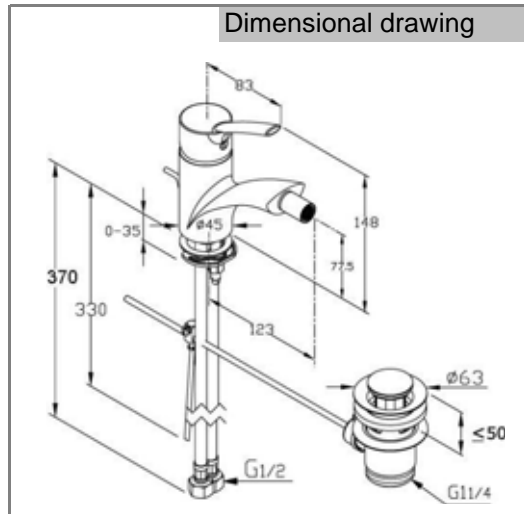
solid lever  
 single hole mounted  
 flow level 5ltr/m  
 PCA Cache aerator M16.5 x l  
 ceramic cartridge with hot water safety device  
 pop up waste 1 ¼ inch  
 flexible high pressure supply tubes 1/2 inch  
 rapid installation set  
 in accordance to ..EN817  
 Pressure Compensating Aerator 5.0 ltr/m

Finishes:  
 05 chrome plated

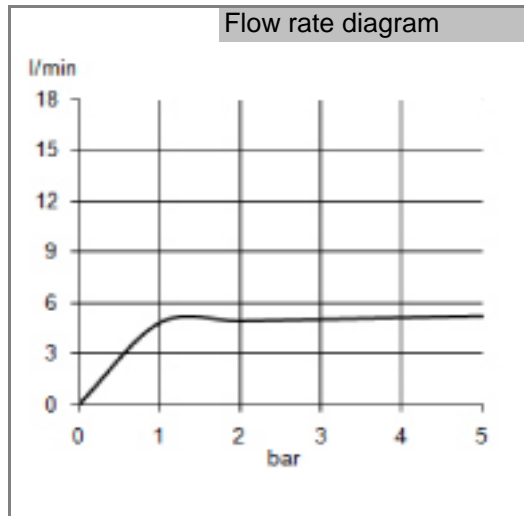


**Advertisement**

- \* KLUDI RAK LLC item no. RAK15000-01
- \*\* chrome plated brass, in accordance to...EN 50930-6
- \*\*\* in accordance to ..EN 817
- \*\*\*\* ceramic cartridge with hot water safety device Ø35mm



single lever bidet mixer, manufacturer KLUDI RAK LLC item no. RAK15001-01, DN 15, chrome plated brass, ceramic cartridge with hot water safety device Ø35 mm, solid lever, noise level DIN EN 4109 group I, report no. P-IX....., type: single lever bidet mixer DN 15, flow level 5ltr/m, PCA Cache aerator M16.5x l , flexible high pressure supply tubes 1/2 inch with DVGW / KIWA / WRAS approval with metal body length 370mm, nozzle projection 123mm, nozzle height 77.5mm, lever projection 83mm, rapid installation set, overall height 148mm, for pressure type water heater, for continuous line heater.



**KLUDI**  
**RAK**



**Product:** HARMONY single lever sink mixer DN 10

**Ref.:** RAK15004

**Product description**

solid lever  
 single hole mounted  
 flow class A  
 aerator M 24 x 1  
 ceramic cartridge with hot water safety device  
 flexible high pressure supply tubes 3/8 inch  
 rapid installation set  
 in accordance to EN 817

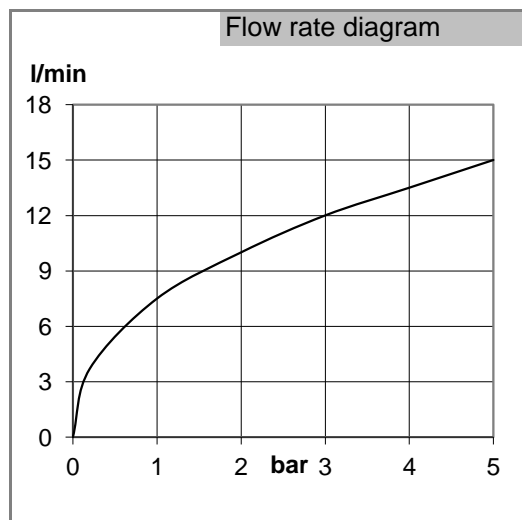
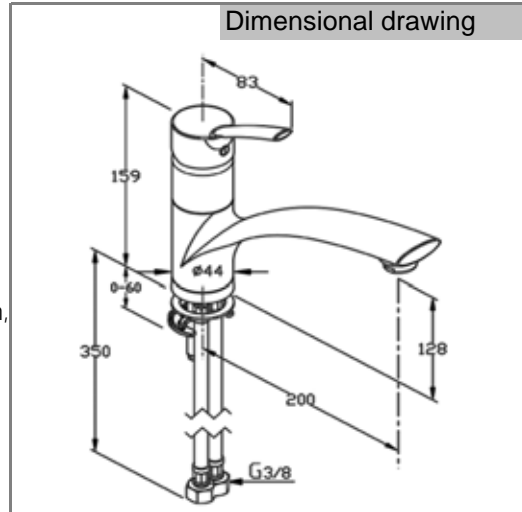
Finishes:  
 05 chrome plated



**Advertisement**

- \* KLUDI RAK LLC item no. RAK15004
- \*\* chrome plated brass, in accord. to EN 50930-6
- \*\*\* in accordance to EN 817
- \*\*\*\* ceramic cartridge with hot water safety device Ø35 mm

single lever sink mixer, manufacturer KLUDI RAK LLC item no. RAK15004, DN 10, chrome plated brass, solid lever, ceramic cartridge with hot water safety device Ø35mm, with aerator M 24 x 1, flexible high pressure supply tubes 3/8 inch with DVGW / KIWA / WRAS with metal body length 350 mm, lever projection 83 mm, nozzle projection 200 mm, nozzle height 128 mm, overall height 159 mm, rapid installation set, for pressure type water heater, continuous line heater, PN 10,



**Product:** HARMONY single lever sink mixer DN 15

**Ref.:** RAK15004-01

**Product description**

solid lever  
 single hole mounted  
 flow level 6,0 l/min  
 PCA aerator M 24 x 1  
 ceramic cartridge with hot water safety device  
 flexible high pressure supply tubes 1/2 inch  
 rapid installation set  
 in accordance to EN 817  
 Pressure Compensating Aerator 6,0 l/min

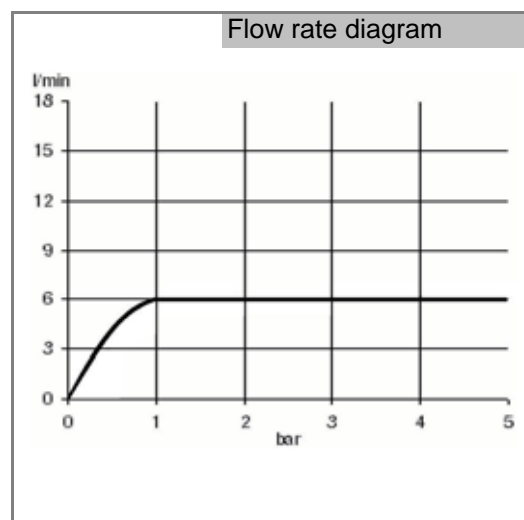
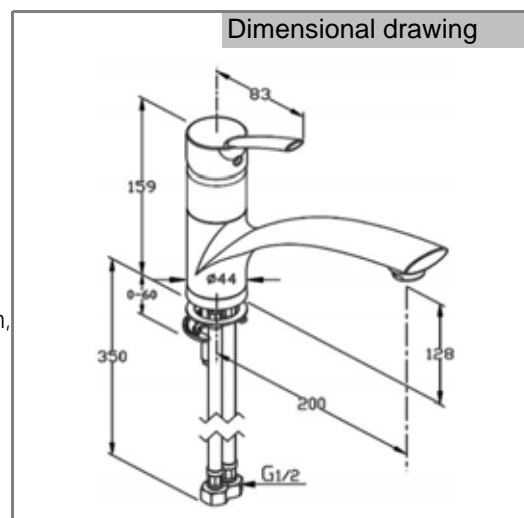
Finishes:  
 05 chrome plated



**Advertisement**

- \* KLUDI RAK LLC item no. RAK15004-01
- \*\* chrome plated brass, in accord. to EN 50930-6
- \*\*\* in accordance to EN 817
- \*\*\*\* ceramic cartridge with hot water safety device Ø35 mm

single lever sink mixer, manufacturer KLUDI RAK LLC item no. RAK15004-01, DN 15, chrome plated brass, solid lever, ceramic cartridge with hot water safety device Ø35mm, with PCA aerator M 24 x 1, flexible high pressure supply tubes 1/2 inch with DVGW / KIWA / WRAS with metal body length 350 mm, lever projection 83 mm, nozzle projection 200 mm, nozzle height 128 mm, overall height 159 mm, rapid installation set, for pressure type water heater, continuous line heater, PN 10,



**Product:** HARMONY single lever bath and shower mixer DN15  
**Ref.:** RAK15002

**Product description**

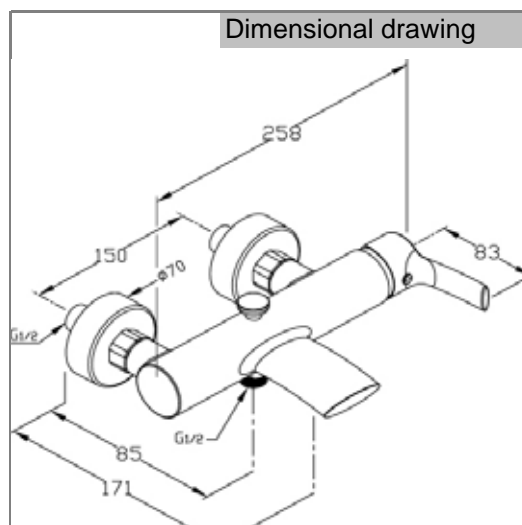
solid lever  
 wall fastening  
 flow rate 22.5ltr/min at 3bar  
 free flow straightener M24  
 automatic diverter: shower to bath tub  
 ceramic cartridge with hot water safety device  
 protected against back flow  
 shower outlet 1/2 inch  
 s-unions 1/2 x 3/4 inch  
 in accordance to EN 817

Finishes:  
 05 chrome plated

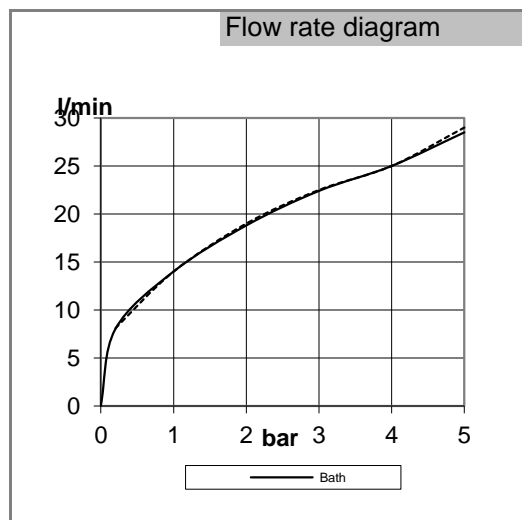


**Advertisement**

- \* KLUDI RAK LLC item no. RAK15002
- \*\* chrome plated brass, in accordance to...EN 50930-6
- \*\*\* in accordance to ..EN 817
- \*\*\*\* ceramic cartridge with hot water safety device Ø35mm



single lever bath and shower mixer, manufacturer KLUDI RAK LLC item no.RAK15002 DN 15, chrome plated brass, ceramic cartridge with hot water safety device Ø35 mm, solid lever, noise level DIN EN 4109 group I, report no. P-IX....., type: single lever bath and shower mixer, with automatic diverter: shower to bath tub, protected against back flow...EN 1717, wall fastening, bath tub filler with free flow straightener, flow rate 22.5ltr/min at 3bar, shower connection 1/2 inch, lever projection 83mm, nozzle projection 85/171mm, S-unions 1/2 inch x 3/4 inch, for pressure type water heater, continuous line heater, PN 10.





**Product:** HARMONY single lever shower mixer DN 15

**Ref.:** RAK15003

**Product description**

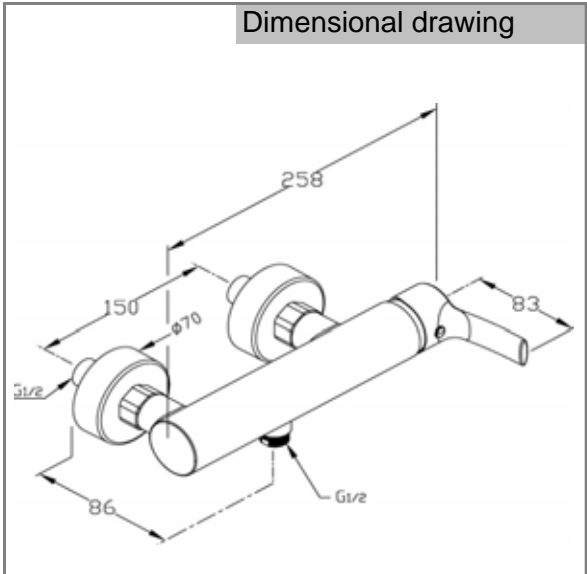
solid lever  
 wall fastening  
 flow rate 22.5ltr/min at 3bar  
 ceramic cartridge with hot water safety device  
 protected against back flow  
 shower outlet 1/2 inch  
 s-unions 1/2 x 3/4 inch  
 in accordance to EN 817

Finishes:  
 05 chrome plated

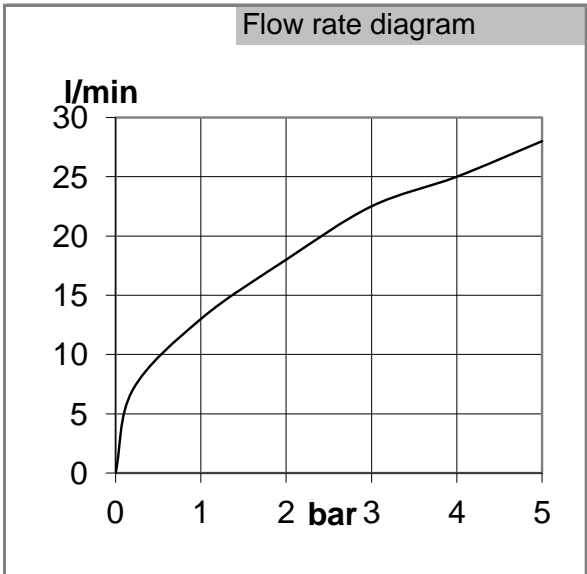


**Advertisement**

- \* KLUDI RAK LLC item no. RAK15003
- \*\* chrome plated brass, in accordance to...EN 50930-6
- \*\*\* in accordance to ..EN 817
- \*\*\*\* ceramic cartridge with hot water safety device Ø35mm



single lever shower mixer, manufacturer KLUDI RAK LLC item no.RAK15003  
 DN 15, chrome plated brass, ceramic cartridge with hot water safety device Ø35 mm,  
 solid lever, noise level DIN EN 4109 group I, report no. P-IX...., type: single lever  
 shower mixer, protected against back flow...EN 1717, wall fastening,  
 shower connection 1/2 inch, lever projection 83mm, S-unions 1/2 inch x 3/4 inch,  
 for pressure type water heater, continuous line heater, PN 10.



**Product** PARAGON Single lever basin mixer DN 10

**Ref** RAK36000

**Product Description**

solid lever  
single hole mounted  
rectangular Aerator  
joystick cartridge  
pop up waste 1 1/4  
PEX flexible high pressure supply tubes 3/8 inch  
rapid installation set  
Flow level 8 Ltr per min.

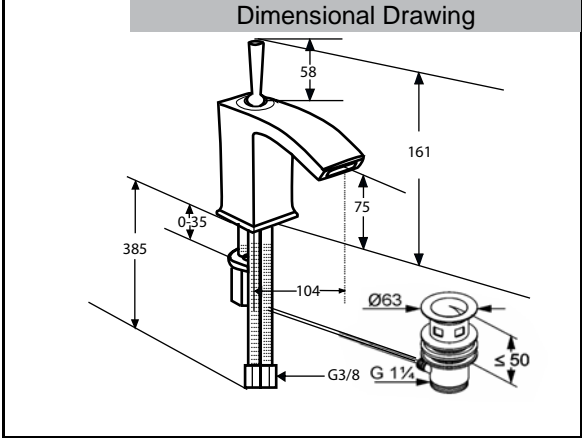
Finishes:  
05 chrome plated



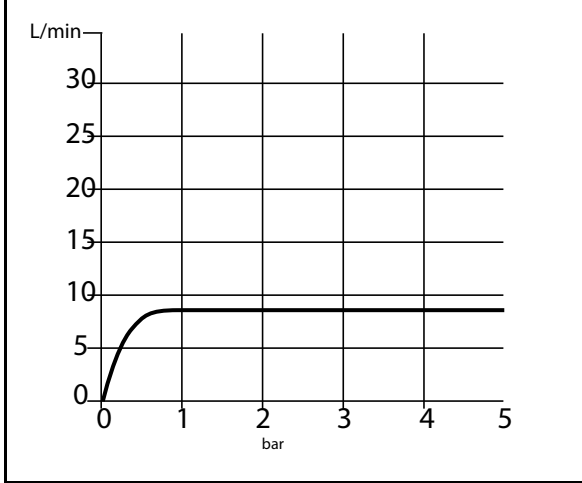
**Advertisement**

- \* KLUDI RAK LLC item no. RAK36000
- \*\* Chrome plated brass, EN 50930-6

single-lever basin mixer, manufacturer KLUDI RAK LLC item no. RAK36000, DN 10, chrome plated brass, Joystick cartridge, solid lever, pop up waste 1 1/4 inch, flexible high pressure supply tubes 3/8 inch with DVGW/KIWA/WRAS approv. With metal body length 385 mm, nozzle projection 104 mm, nozzle height 58 mm, lever height 58 mm, rapid installation set, overall length 161 mm, for pressure type water heater, continuous line heater.



**Flow Rate Diagram**



**KLUDI**  
**RAK**

**Product** PARAGON Single-lever basin mixer DN 15

**Ref** RAK 36000-01

**Product Description**

solid lever  
 single hole mountetd  
 Rectangular Aerator  
 joystick cartridge  
 Pop up waste 1 1/4  
 PEX flexible high pressure supply tubes 1/2 inch  
 rapid installation set  
 Flow level 8 Ltr per min.

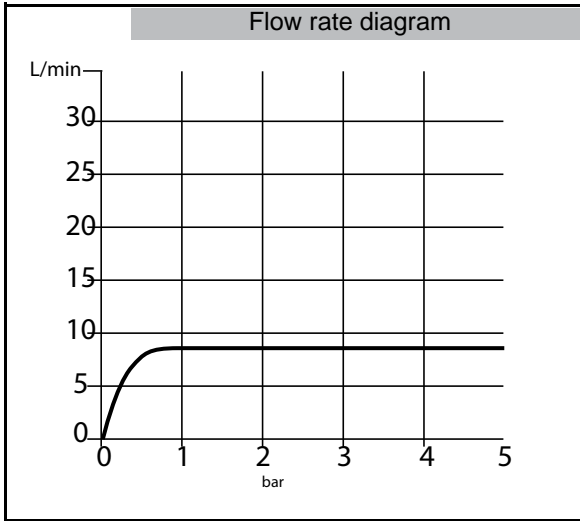
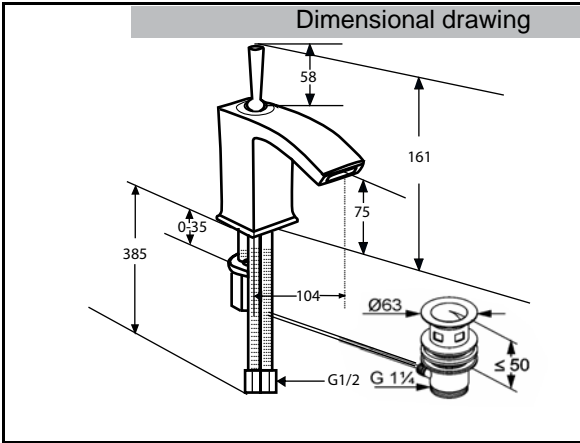
Finishes:  
 05 chrome plated



**Advertisement**

- \* KLUDI RAK LLC item no. RAK36000-01
- \*\* chrome plated brass, EN 50930-6

single-lever basin mixer, manufacturer KLUDI RAK LLC item no. RAK 36000-01, DN 15, chrome plated Brass, joystick cartridge , solid lever, pop up waste 1 1/4 inch, flexible high pressure supply tubes 1/2 inch with DVGW/KIWA/WRAS approv. with metal body length 385 mm, nozzle projection 104 mm nozzle height 75 mm, lever height 58mm, rapid installation set, overall length 161 mm, for pressure type water heater, cotinuous line heater.



**KLUDI**  


---

**RAK**



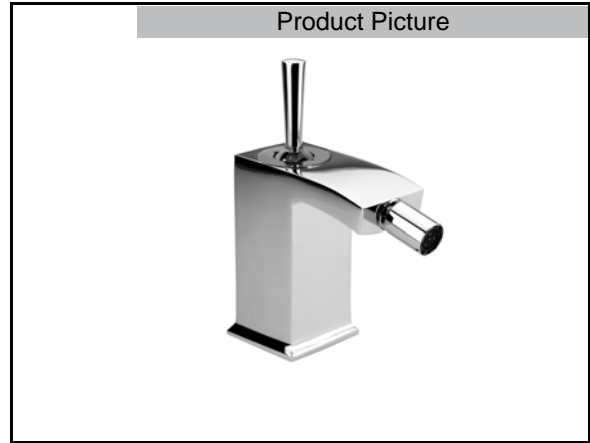
**Product** PARAGON single lever bidet mixer DN 10

**Ref** RAK36001

**Product Description**

solid lever  
 single hole mountetd  
 flow level 6 Ltr/min  
 swivel cache TT  
 joystick cartridge  
 pop up waste 1 1/4  
 PEX flexible high pressure supply tubes 3/8 inch  
 rapid installation set

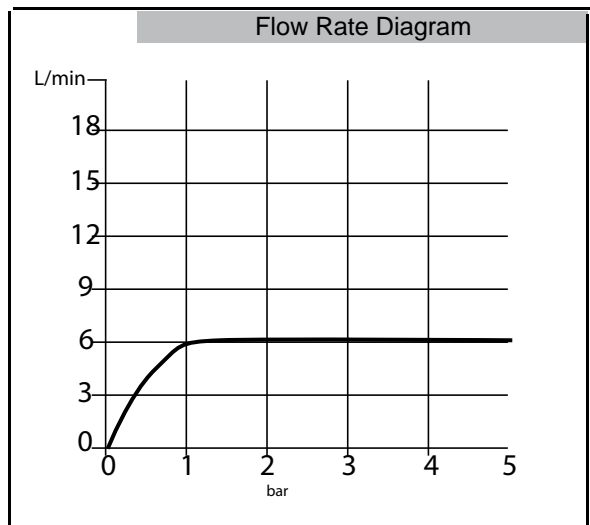
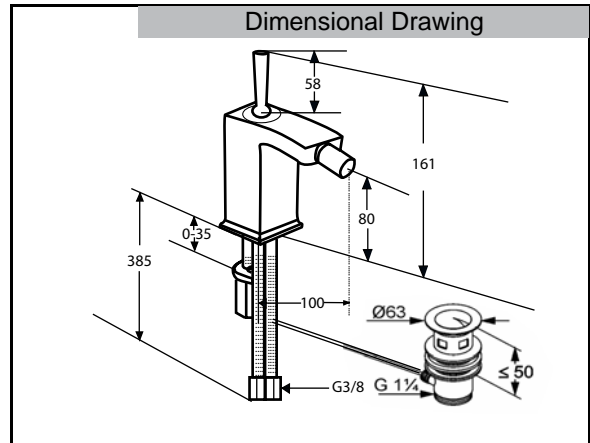
Finishes:  
 05 chrome plated



**Advertisement**

- \* KLUDI RAK LLC item no. RAK36001
- \*\* Chrome plated brass, EN 50930-6
- \*\*\*joystick cartridge Ø35 mm

single-lever bidet mixer, manufacturer KLUDI RAK LLC item no. RAK36001, DN 10, chrome plated brass, joystick cartridge, solid lever, single lever bidet mixer DN 10, swivel cache TT aerator, pop up waste 1 1/4 inch, flexible high pressure supply tubes 3/8 inch with DVGW/KIWA/WRAS approv. with metal body length 385 mm, nozzle projection 100 mm, nozzle height 80 mm, lever height 58 mm, rapid installation set, overall length 161 mm, for pressure type water heater, continuous line heater.



**KLUDI**  
**RAK**

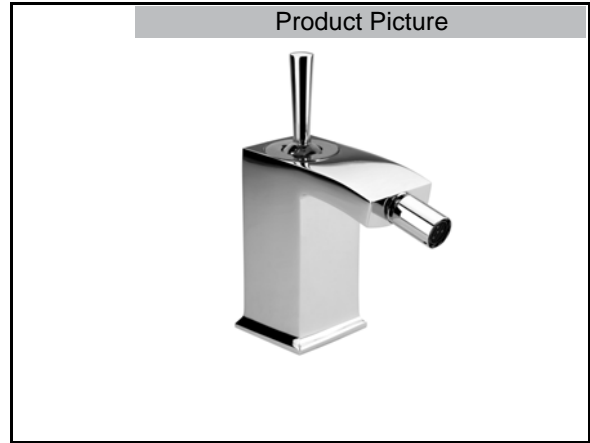
**Product** PARAGON Single lever bidet mixer DN 15

**Ref** RAK36001-01

**Product description**

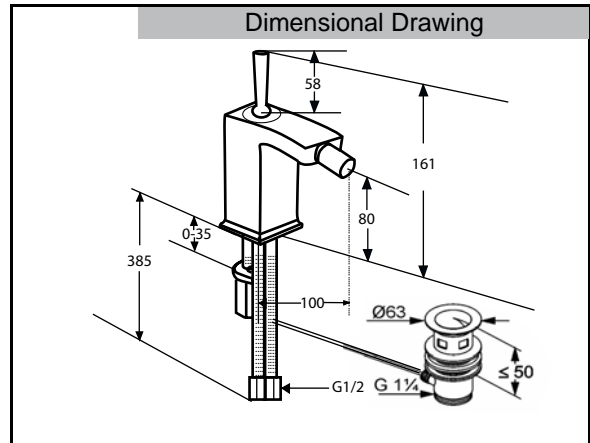
solid lever  
 single hole mountetd  
 flow level 6 Ltr/min  
 swivel cache TT  
 joystick cartridge  
 pop up waste 1 1/4  
 PEX flexible high pressure supply tubes 1/2 inch  
 rapid installation set

Finishes:  
 05 chrome plated

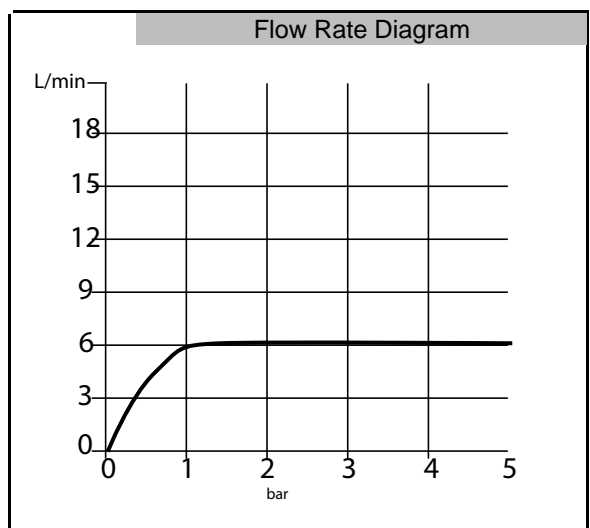


**Advertisement**

- \* KLUDI RAK LLC item no. RAK36001-01
- \*\* Chrome plated brass, ..EN 50930-6
- \*\*\*joystick cartridge Ø35 mm



single-lever bidet mixer, manufacturer KLUDI RAK LLC item no. RAK36001-01, DN 15, chrome plated brass, Joystick cartridge, solid lever, single lever bidet mixer DN 15, swivel cache TT aerator pop up waste 1 1/4 inch, flexible high pressure supply tubes 1/2 inch with DVGW/KIWA/WRAS approv. with metal body length 385 mm, nozzle projection 100 mm, nozzle height 75mm, lever height 58 mm, rapid installation set, overall length 161mm, for pressure type water heater, continuous line heater.



**KLUDI**  


---

**RAK**

**Product** PARAGON single lever bath & shower mixer DN 15

**Ref** RAK36002

**Product description**

solid lever  
 wall fastening  
 rectangular aerator  
 joystick cartridge  
 automatic diverter: shower to bath tub  
 wall connector 1/2 inch thread

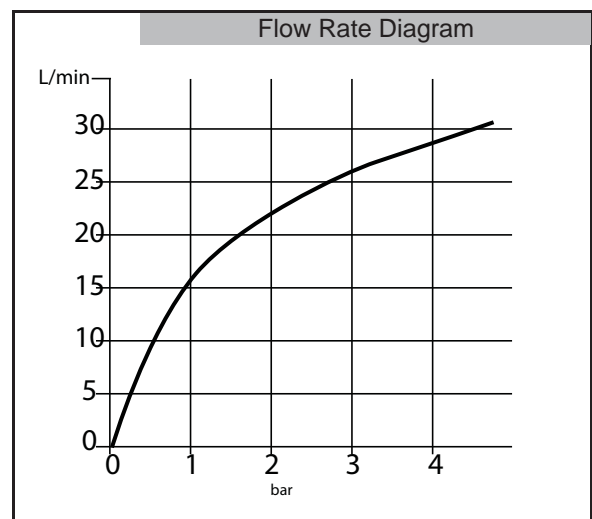
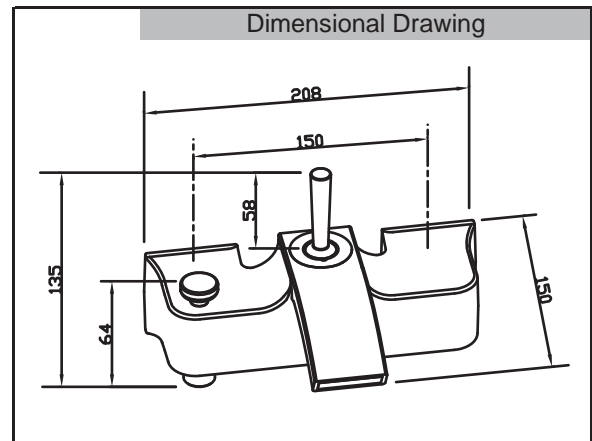
Finishes:  
 05 chrome plated



**Advertisement**

- \* KLUDI RAK LLC item no. RAK36002
- \*\* chrome plated brass, EN 50930-6
- \*\*\*joystick cartridge Ø 35 mm

single-lever bath and shower mixer, wall fastening, manufacturer KLUDI RAK LLC item no. RAK36002, DN 15, chrome plated brass, solid lever, joystick cartridge Ø 35 mm, single lever bath & shower mixer DN 15, with automatic diverter: shower to bath tub, wall fastening, bath tub filler with rectangular aerator, connection 1/2 inch, lever height 58 mm, nozzle projection 144 mm, wall connector 1/2 inch thread, pressure type water heater, continuous line heater.



**KLUDI**  


---

**RAK**



Product **PARAGON Single-lever shower mixer DN15**

Ref RAK36003

**Product Description**

solid lever  
 wall fastening  
 joystick cartridge  
 protected against back flow  
 shower outlet 1/2 inch  
 wall connector 1/2 inch thread  
 with wall-mounted shower holder

Finishes:  
 05 chrome plated

**Advertisement**

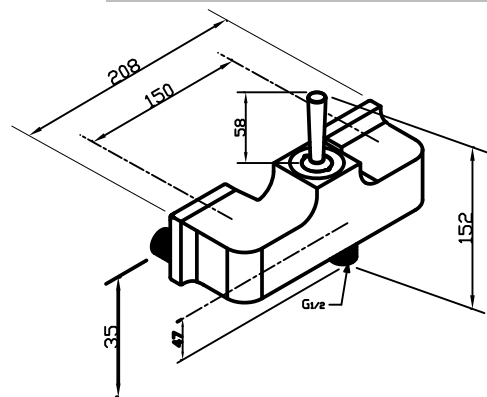
- \* KLUDI RAK LLC item no.RAK 36003
- \*\* chrome plated brass, ..EN 50930-6
- \*\*\* joystick cartridge Ø 35 mm

single lever shower mixer, wall fastening, manufacturer KLUDI RAK LLC item no.RAK36003, DN15, chrome plated brass, solid lever joystick cartridge Ø35 mm, single lever shower mixer DN15, protected against back flow, shower connection 1/2 inch, wall connection 1/2 inch thread, dowels, for pressure type heater, continuous line heater.

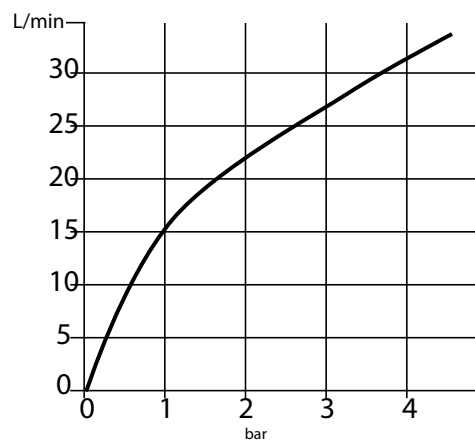
Product Picture



Dimensional Drawing



Flow Rate Diagram



**KLUDI**  


---

**RAK**

Product : **PARAGON-Single-lever sink mixer DN 15**

Ref : RAK36004-01

**Product Description :**

solid lever  
 single hole mounted  
 Flow level 6 Ltr per/ min.  
 aerator M24x1  
 joystick cartridge  
 swivel rectangular spout  
 PEX flexible high pressure supply tubes 1/2 inch  
 rapid installation set  
**Pressure Compensating Aerator 6 l/min**

**Advertisement :**

- \* KLUDI RAK LLC item no.RAK36004-01
- \*\* Chrome plated brass, ..EN 50930-6
- \*\*\* Joystick Cartridge Ø 35 mm

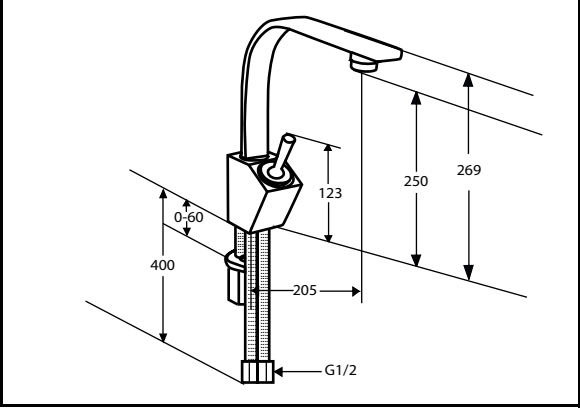
single-lever sink mixer,manufacturer KLUDI RAK LLC  
 item no.RAK 36004-01, DN15,chrome plated brass,type:  
 single-lever sink mixer, with swivel pipe spout,solid  
 lever, lever length 58mm,with aerator M24x1,  
 nozzle projection 123mm,rapid installation set,flexible  
 high pressure supply tubes G1/2 with DVGW/KIWA/  
 WRAS approv. With metal body length 400mm,Joystick  
 cartridge Ø35mm, overall length 269mm,nozzle height  
 250mm, for pressure type water heater,continuous line  
 heater.



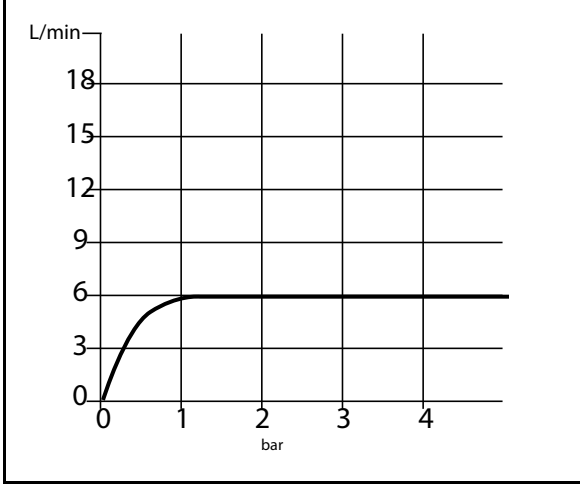
Product Picture



Dimensional Drawing



Flow Rate Diagram



Product : **PARAGON-Single lever sink mixer DN 10**

Ref : RAK36004

**Product Description :**

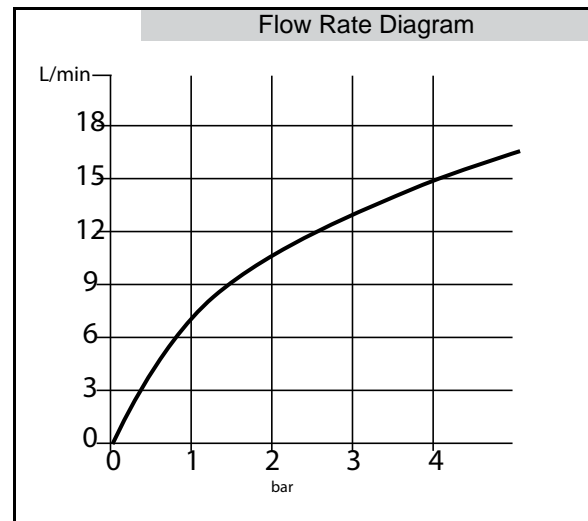
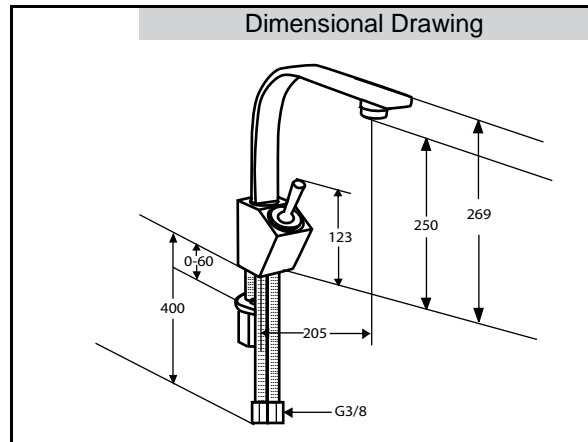
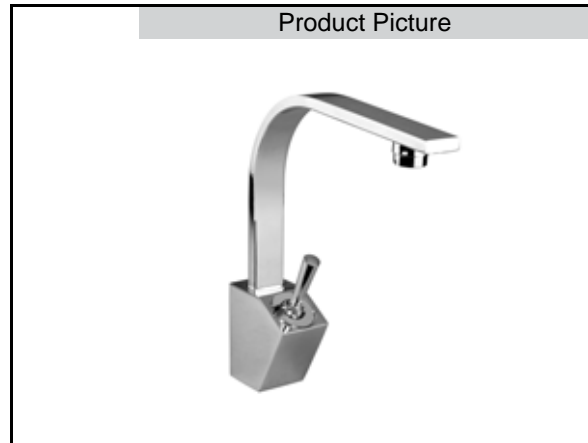
solid lever  
 single hole mounted  
 flow class A  
 aerator M24x1  
 joystick cartridge  
 swivel rectangular spout  
 PEX flexible high pressure supply tubes 3/8 inch  
 rapid installation set

**Advertisement :**

\* KLUDI RAK LLC item no. RAK36004  
 \*\* Chrome plated brass, ..EN 50930-6  
 \*\*\* Joystick Cartridge Ø 35 mm

single-lever sink mixer,manufacturer KLUDI RAK LLC  
 item no.RAK36004, DN10,chrome plated brass,type:  
 single-lever sink mixer, with swivel pipe spout,solid  
 lever, lever length 58 mm,with aerator M24x1,  
 nozzle projection 250 mm,rapid installation set,flexible  
 high pressure supply tubes G3/8 with DVGW/KIWA/  
 WRAS approv. With metal body length 400 mm,joystick  
 cartridge Ø35mm, overall length 269mm,nozzle height  
 250 mm, for pressure type water heater,continuous line  
 heater.

**KLUDI**  
**RAK**





**Product:** PROFILE single lever basin mixer DN10

**Ref.:** RAK14000

**Product description**

single lever basin mixer DN 10  
 solid lever  
 single hole mounted  
 flow class A  
 Cache aerator M 24 x 1  
 ceramic cartridge with hot water safety device  
 pop up waste 1 ¼ inch  
 flexible high pressure supply tubes 3/8 inch  
 rapid installation set  
 noise level I  
 in accordance to ..EN 817

Finishes:  
 chrome plated

**Product picture**

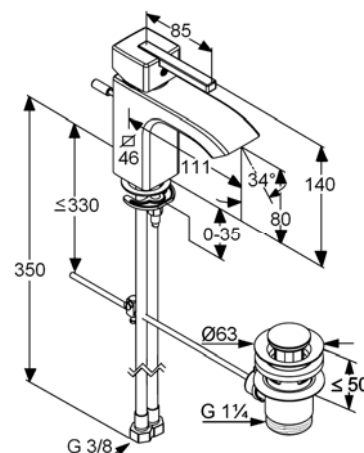


**Advertisement**

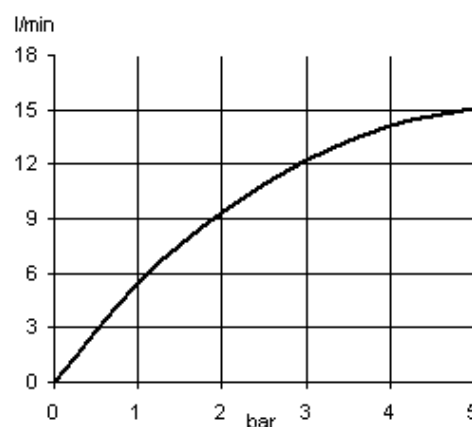
- \* KLU DI RAK LLC PROFILE single lever basin mixer item no. RAK14000
- \*\* ceramic cartridge with hot water safety device Ø 35 mm, DIN EN 817
- \*\*\* chrome plated brass, DIN 50930-6

single lever basin mixer, manufacturer KLU DI RAK LLC PROFILE single lever basin mixer item no. RAK14000, DN 10, chrome plated brass, ceramic cartridge with hot water safety device Ø 35 mm, solid lever, noise level DIN EN 4109 group I, without report no., type: single lever basin mixer DN 10, flow class A (max. 0,25 l/s), with Cache aerator M 24 X I , pop up waste 1 1/4 inch, flexible high pressure supply tubes 3/8 inch with DVGW / KIWA / WRAS / CSTB with metal body length 350 mm, nozzle projection 111 mm, nozzle height 80 mm, lever projection 85 mm, rapid installation set, overall length 140 mm, for pressure type water heater, for continuous line heater, PN 10,

**Dimensional drawing**



**Flow rate diagram**



Product: **PROFILE single lever basin mixer DN 15**

Ref.: **RAK14000-01**

**Product description**

single lever basin mixer DN 15  
 solid lever  
 single hole mounted  
 flow level 6,0 l/min  
 PCA Cache aerator M 24 x 1  
 ceramic cartridge with hot water safety device  
 pop up waste 1 ¼ inch  
 flexible high pressure supply tubes 1/2 inch  
 rapid installation set  
 noise level I  
 in accordance to ..EN 817  
**Pressure Compensating Aerator 6,0 l/min**

Finishes:  
 chrome plated

Product picture

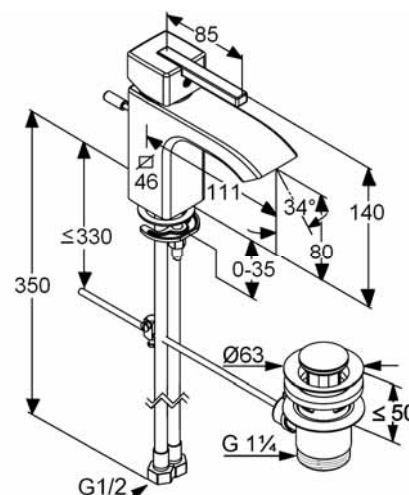


**Advertisement**

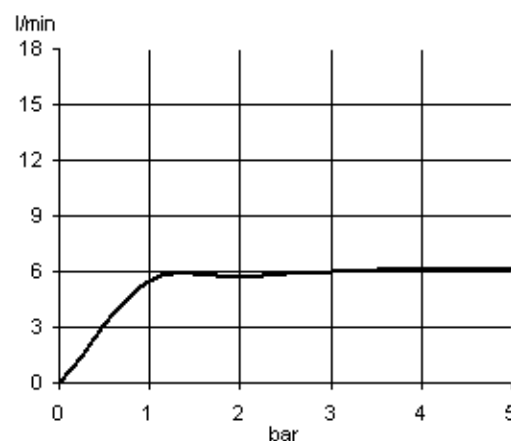
- \* KLUDI RAK LLC PROFILE single lever basin mixer item no. RAK14000-01
- \*\* ceramic cartridge with hot water safety device Ø 35 mm, DIN EN 817
- \*\*\* chrome plated brass, DIN 50930-6

single lever basin mixer, manufacturer KLUDI RAK LLC PROFILE single lever basin mixer item no. RAK14000-01, DN 15, chrome plated brass, ceramic cartridge with hot water safety device Ø 35 mm, solid lever, noise level DIN EN 4109 group I, without report no., type: single lever basin mixer DN 15, flow level 6,0 l/min, with PCA Cache aerator M 24 X I, pop up waste 1 1/4 inch, flexible high pressure supply tubes 1/2 inch with DVGW / KIWA / WRAS / CSTB with metal body length 350 mm, nozzle projection 111 mm, nozzle height 80 mm, lever projection 85 mm, rapid installation set, overall length 140 mm, for pressure type water heater, for continuous line heater, PN 10,

Dimensional drawing



Flow rate diagram



**Product:** PROFILE single lever bidet mixer DN10

**Ref.:** RAK14001

**Product description**

single lever bidet mixer DN 10  
 solid lever  
 single hole mounted  
 flow class A  
 ball joint Cache aerator M 18,5 x 1  
 ceramic cartridge with hot water safety device  
 pop up waste 1 ¼ inch  
 flexible high pressure supply tubes 3/8 inch  
 rapid installation set  
 noise level I  
 in accordance to ..EN 817

Finishes:  
 chrome plated

**Product picture**

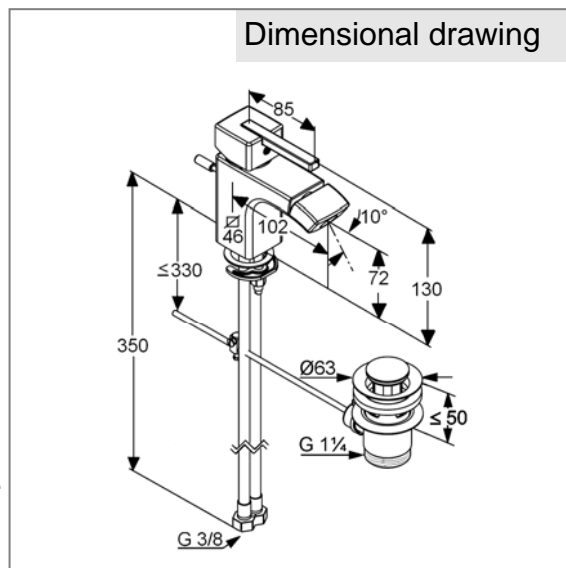


**Advertisement**

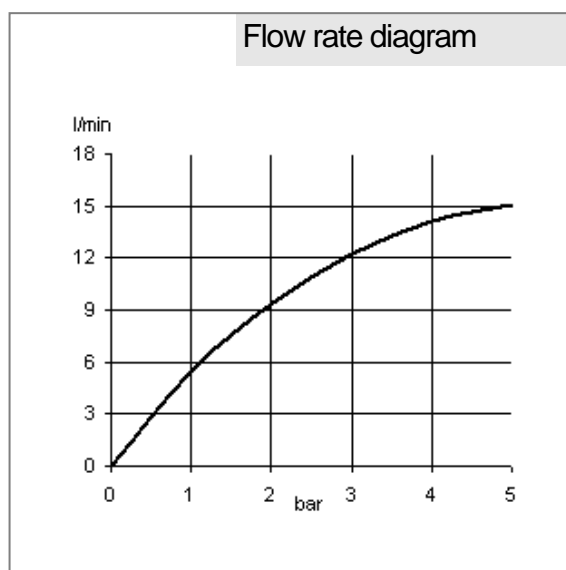
- \* KLUDI RAK LLC PROFILE single lever bidet mixer item no. RAK14001
- \*\* ceramic cartridge with hot water safety device Ø 35 mm, DIN EN 817
- \*\*\* chrome plated brass, DIN 50930-6

bidet- single lever mixer, manufacturer KLUDI RAK LLC PROFILE single lever bidet mixer item no. RAK14001, DN 10, chrome plated brass, ceramic cartridge with hot water safety device Ø 35 mm, solid lever, noise level DIN EN 4109 group I, without report no., type: bidet- single lever mixer DN 10, flow class A (max. 0,25 l/s), pop up waste 1 1/4 inch, flexible high pressure supply tubes 3/8 inch with DVGW / KIWA / CSTB / WRAS / CSTB with metal body length 350 mm, nozzle projection 102 mm, nozzle height 72 mm, lever projection 85 mm, rapid installation set, ball- joint Cache aerator M 18,5 x 1, overall length 130 mm, for pressure type water heater, for continuous line heater, PN 10,

**Dimensional drawing**



**Flow rate diagram**



Product: **PROFILE single lever bidet mixer DN 15**

Ref.: **RAK14001-01**

### Product description

single lever bidet mixer DN 15  
 solid lever  
 single hole mounted  
 flow level 6,0 l/min  
 ball joint PCA Cache aerator M 18,5 x 1  
 ceramic cartridge with hot water safety device  
 pop up waste 1 ¼ inch  
 flexible high pressure supply tubes 1/2 inch  
 rapid installation set  
 noise level I  
 in accordance to ..EN 817  
**Pressure Compensating Aerator 6,0 l/min**

Finishes:  
 chrome plated

### Advertisement

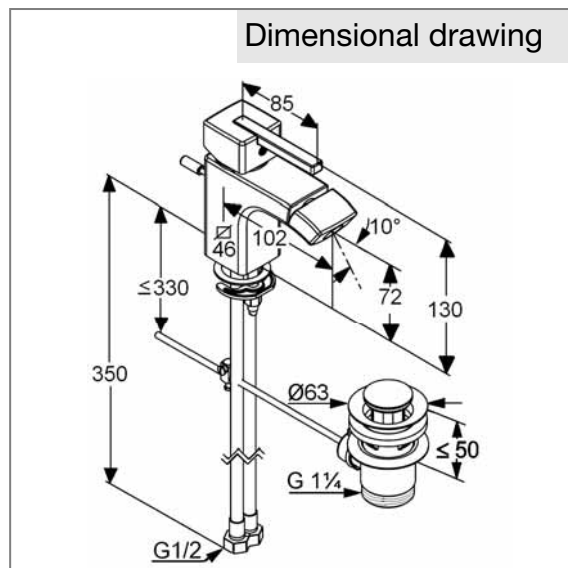
- \* KLUDI RAK LLC PROFILE single lever bidet mixer item no. RAK14001-01
- \*\* ceramic cartridge with hot water safety device Ø 35 mm, DIN EN 817
- \*\*\* chrome plated brass, DIN 50930-6

bidet- single lever mixer, manufacturer KLUDI RAK LLC PROFILE single lever bidet mixer item no. RAK14001-01, DN 15, chrome plated brass, ceramic cartridge with hot water safety device Ø 35 mm, solid lever, noise level DIN EN 4109 group I, without report no., type: bidet- single lever mixer DN 15, flow level 6,0 l/min, pop up waste 1 1/4 inch, flexible high pressure supply tubes 1/2 inch with DVGW / KIWA / CSTB / WRAS / CSTB with metal body length 350 mm, nozzle projection 102 mm, nozzle height 72 mm, lever projection 85 mm, rapid installation set, ball- joint PCA Cache aerator M 18,5 x 1, overall length 130 mm, for pressure type water heater, for continuous line heater, PN 10,

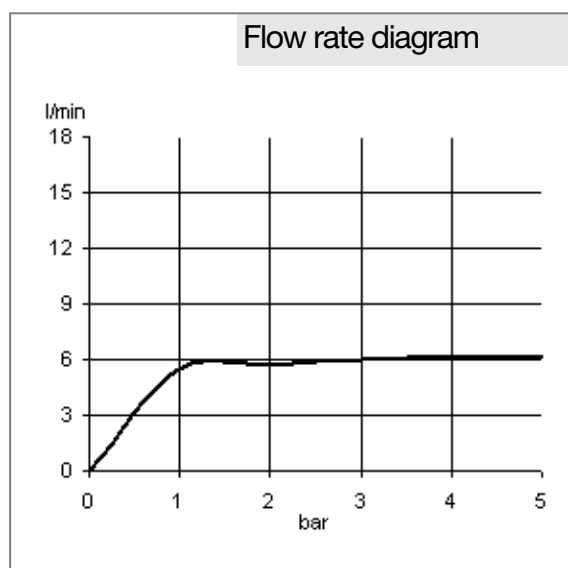
Product picture



Dimensional drawing



Flow rate diagram





**Product:** PROFILE single lever bath- and shower mixer DN 15

**Ref.:** RAK14002

**Product description**

single lever bath- and shower mixer DN 15  
 solid lever  
 wall fastening  
 flow class CB  
 s-pointer aerator M 24 x I  
 ceramic cartridge with hot water safety device  
 automatic diverter: shower to bath tub  
 shower outlet G 1/2"  
 protected against back flow  
 S- unions 1/2 inch x 3/4 inch  
 without shower set, noise level I,  
 in accordance to ..EN 817

Finishes:  
 chrome plated

**Product picture**

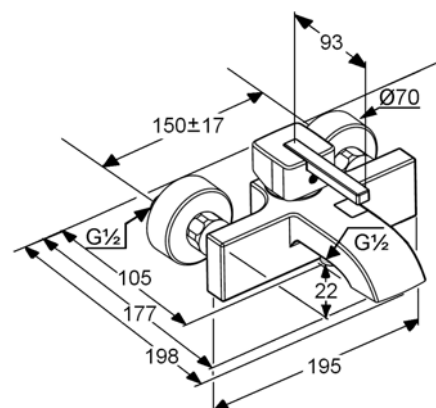


**Advertisement**

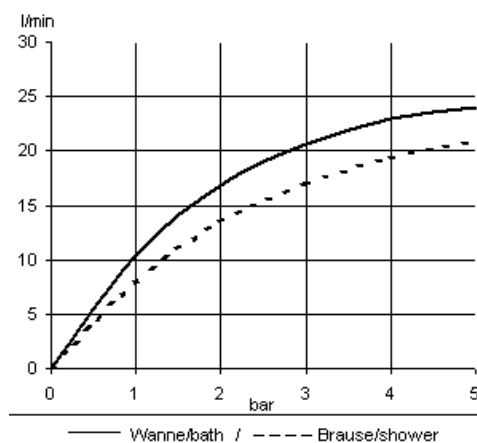
- \* KLUDI RAK LLC PROFILE single lever bath- and shower mixer item no. RAK14002
- \*\* ceramic cartridge with hot water safety device Ø 41 mm, DIN EN 817
- \*\*\* chrome plated brass, DIN 50930-6

single lever bath and shower mixer, manufacturer KLUDI RAK LLC PROFILE single lever bath- and shower mixer item no. RAK14002, DN 15, chrome plated brass, S unions 1/2 x 3/4 inch, s-pointer aerator M 24 x I C, flow class CB (max. 0,42 l/s), solid lever, noise level DIN EN 4109 group I, without report no., type: single lever bath- and shower mixer DN 15, automatic diverter: shower to bath tub, protected against back flow DIN EN 1717, shower outlet 1/2 inch, lever projection 93 mm, ceramic cartridge with hot water safety device Ø 41 mm, nozzle projection 177 mm, overall length 198 mm, breadth 195 mm, diameter rosette 70 mm, for pressure type water heater, for continuous line heater, PN 10,

**Dimensional drawing**



**Flow rate diagram**



**Product:** PROFILE Concealed bath/shower mixer, trim set

**Ref.:** RAK14003

**Product description**

concealed bath/shower mixer trim set  
 solid lever  
 automatic diverter: shower to bath tub  
 trim set for concealed bath/shower mixer pre-  
 installation set RAK14011 or RAK14012

Finishes:  
 chrome plated

Product picture

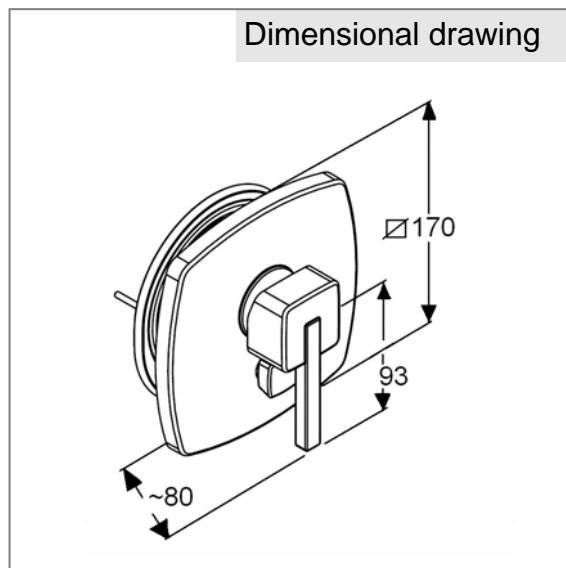


**Advertisement**

- \* KLUDI RAK LLC PROFILE concealed bath/shower mixer trim set item no. RAK14003
- \*\* chrome plated metal/plastic
- \*\*\* as trim set for concealed bath/shower mixer pre-installation set DN 20 RAK14011 DN 20 or RAK14012 DN 15

concealed bath/shower mixer trim set, manufacturer KLUDI RAK LLC PROFILE  
 concealed bath/shower mixer trim set item no. RAK14003, type: as trim set for  
 concealed bath/shower mixer RAK14011 DN 20 or RAK14012 DN 15, solid lever,  
 cover plate chrome plated plastic, automatic diverter: shower to bath tub, lever  
 projection 93 mm, diameter cover plate 170/170 mm, for concealed bath/shower  
 mixer DN 20 RAK14011 or concealed bath/shower mixer DN 15 RAK14012, protection  
 against back flow look at concealed bath/shower mixer RAK14011 or RAK14012,

Dimensional drawing



**Product:** PROFILE single lever shower mixer DN 15

**Ref.:** RAK14005

**Product description**

single lever shower mixer DN 15  
 solid lever  
 wall fastening  
 flow class B  
 ceramic cartridge with hot water safety device  
 shower outlet 1/2 inch  
 protected against back flow  
 S-unions 1/2 inch x 3/4 inch  
 noise level I  
 in accordance to ..EN 817

Finishes:  
 chrome plated

Product picture

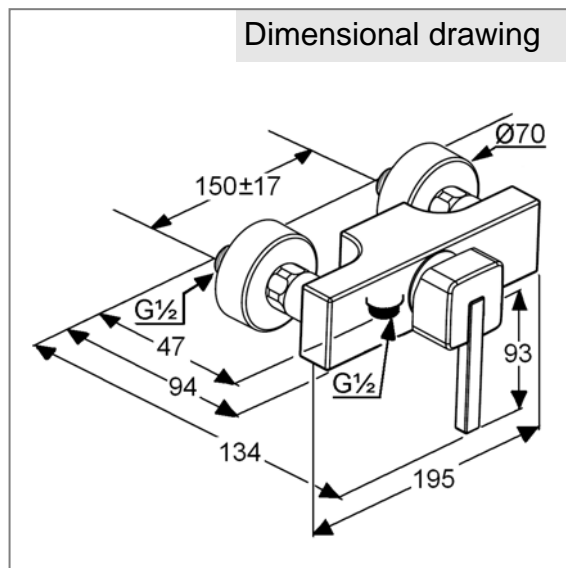


**Advertisement**

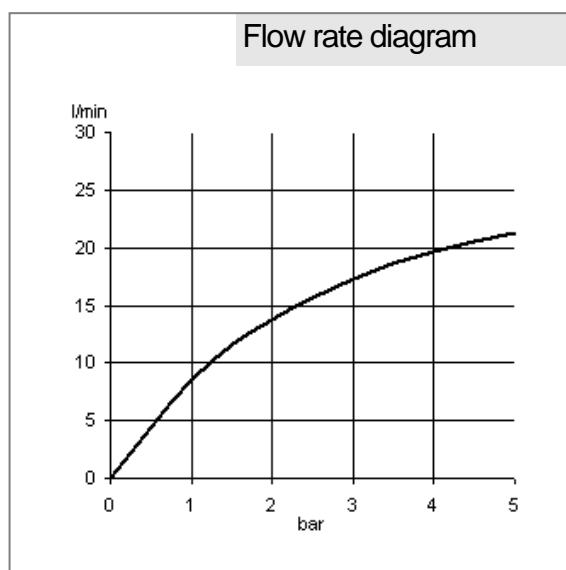
- \* KLUDI RAK LLC PROFILE single lever shower mixer item no. RAK14005
- \*\* ceramic cartridge with hot water safety device Ø 41 mm, DIN EN 817
- \*\*\* chrome plated brass, DIN 50930-6

single lever shower mixer DN 15, manufacturer KLUDI RAK LLC PROFILE single lever shower mixer item no. RAK14005, DN 15, chrome plated brass, ceramic cartridge with hot water safety device Ø 41 mm, solid lever, noise level DIN EN 4109 group I, without report no., type: single lever shower mixer DN 15, protected against back flow DIN EN 1717, shower outlet 1/2 inch, S unions 1/2 x 3/4 inch, lever projection 93 mm, wall projection to lever 134 mm / body 94 mm, projection shower outlet 47 mm, flow class B (max. 0,42 l/s), for pressure type water heater, for continuous line heater, PN 10,

Dimensional drawing



Flow rate diagram



**Product:** PROFILE concealed shower mixer, trim set

**Ref.:** RAK14006

**Product description**

concealed shower mixer  
trim set  
solid lever  
for concealed shower mixer DN 20  
RAK14011 or concealed shower mixer DN 15  
RAK14012

Finishes:  
chrome plated

Product picture

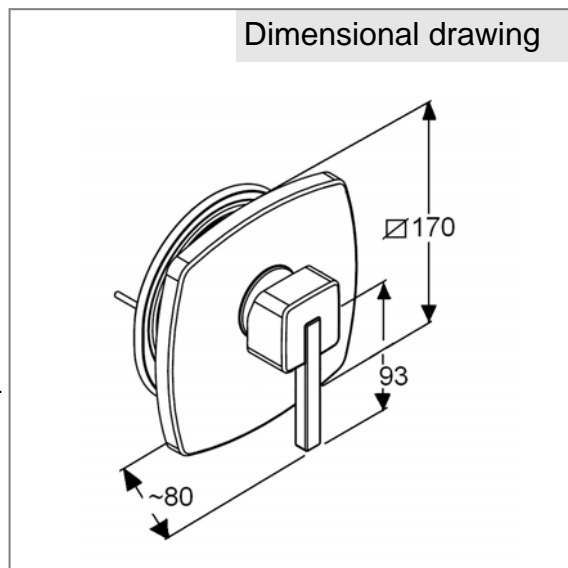


**Advertisement**

- \* KLUDI RAK LLC PROFILE concealed shower mixer trim set  
item no. RAK14006
- \*\* chrome plated metal/plastic
- \*\*\* as trim set for concealed shower mixer pre-installation set DN 20  
RAK14011 DN 20 or RAK14012 DN 15

concealed shower mixer trim set, manufacturer KLUDI RAK LLC PROFILE  
concealed shower mixer trim set item no. RAK14006, type: as trim set for  
concealed shower mixer RAK14011 DN 20 or RAK14012 DN 15, solid lever, cover  
plate chrome plated plastic, automatic diverter: shower to bath tub, lever  
projection 93 mm, diameter cover plate 170/170 mm, for concealed bath/shower  
mixer DN 20 RAK14011 or concealed shower mixer DN 15 RAK14012, protection  
against back flow look at concealed shower mixer RAK14011 or RAK14012,

Dimensional drawing





Product: **PROFILE wall spout DN 20**

Ref.: **RAK14008**

### Product description

wall spout DN 20  
 wall fastening  
 projection 190 mm  
 flow class C  
 s-pointer aerator M 24 x I  
 separate connector 3/4 inch for  
 pre-installation

Finishes:  
 chrome plated

### Product picture

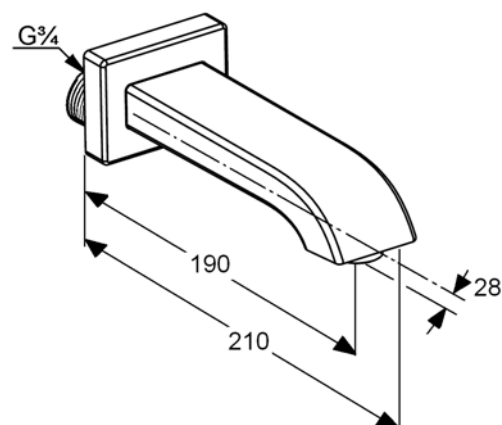


### Advertisement

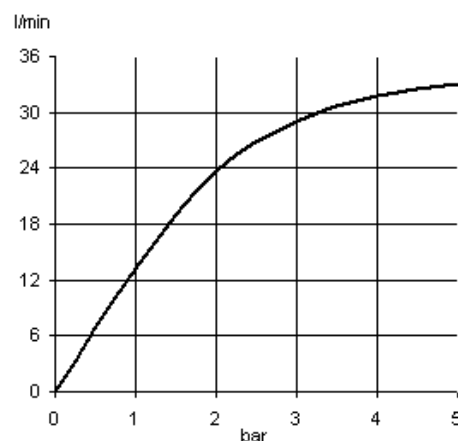
- \* KLUDI RAK LLC PROFILE wall spout DN 20 item no. RAK14018
- \*\* chrome plated brass, DIN 50930-6
- \*\*\* DIN EN 200

wall spout DN 20, manufacturer / type KLUDI RAK LLC PROFILE wall spout DN 20 RAK14018, chrome plated brass, wall fastening, projection 190/210 mm, with s-pointer aerator M 24 x I, flow class C (max. 0, 53 l/s), noise level DIN 4109 group I without report no., with separate connector 3/4 inch (male thread) for pre-installation, PN 10,

### Dimensional drawing



### Flow rate diagram



Product: **PROFILE handshower | 15**

Ref.: **RAK14010**

**Product description**

handshower DN 15  
 flow class A  
 with cleaning system  
 with big size shower spray 130 x 130 mm  
 angle adjustable in 5° stages  
 (max. tilt angle 30°)  
 voluminous shower spray from 100 spray nozzles  
 flow rate 18,9 l/min at 3 bar  
 low-aerosol  
 connection 1/2 inch  
 noise level I  
 P- IX 18516/IB  
 in accordance to DIN EN 1112

Finishes:  
 chrome plated

**Advertisement**

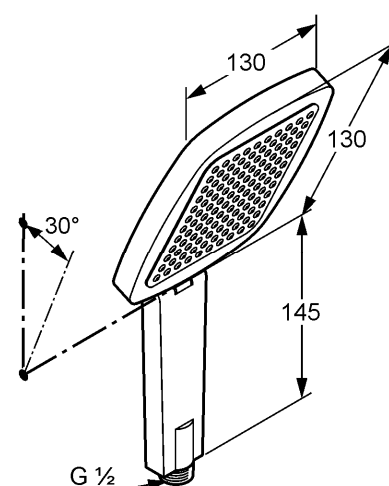
- \* KLUDI RAK LLC PROFILE handshower part no. RAK14010
- \*\* with fast scale cleaning
- \*\*\* compliant with DIN EN 1112

handshower, manufacturer type KLUDI RAK LLC PROFILE handshower part no. RAK14010, DN 15, of chrome-plated plastic, noise level DIN 4109 Group I, approval no. P- IX 18516/IB, flow class A, flow rate 18,9 l/min at 3 bar, low-aerosol, connection 1/2 inch male thread, with voluminous shower spray from 100 spray nozzles, with cleaning system, with adjustable shower head angle adjustable in 5° stages (max. tilt angle 30°), for pressure type water heater, for continuous line heater, PN 5, in accordance to DIN EN 1112,

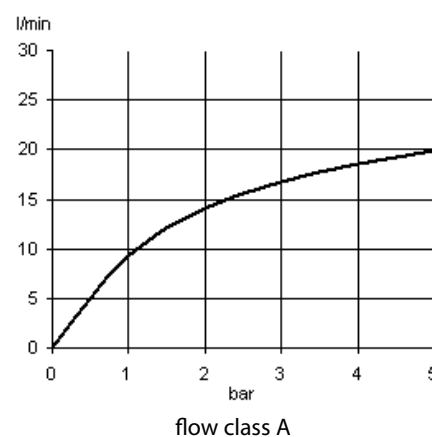
**Product picture**



**Dimensional drawing**



**Flow rate diagram**



Product: **PROFILE shower hook**

Ref.: **RAK14020**

**Product description**

shower hook  
 wall fastening  
 for shower hoses with conical nut  
 with screws and dowels

Finishes:  
 chrome plated

**Product picture**

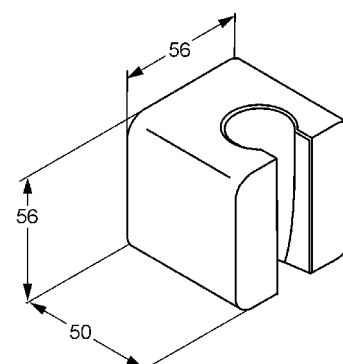


**Advertisement**

\* KLUDI RAK LLC PROFILE shower hook item no. RAK14020  
 \*\* chrome plated plastic

shower hook, manufacturer / type KLUDI RAK LLC PROFILE shower hook item no RAK14020, made of chrome plated plastic, with screws and dowels, for shower hoses with conical nuts, for wall fastening, projection 50 mm,

**Dimensional drawing**



**Flow rate diagram**

Product: **PROFILE headshower DN 15**

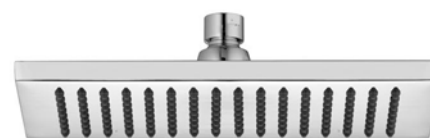
Ref.: **RAK14018**

**Product description**

headshower DN 15  
 245 mm x 140 mm  
 with big size shower rain  
 with cleaning system  
 with ball joint 1/2 inch female thread  
 with dirt catcher sieve  
 without shower arm 1/2 inch  
 DIN EN 1112

Finishes:  
 chrome plated

**Product picture**

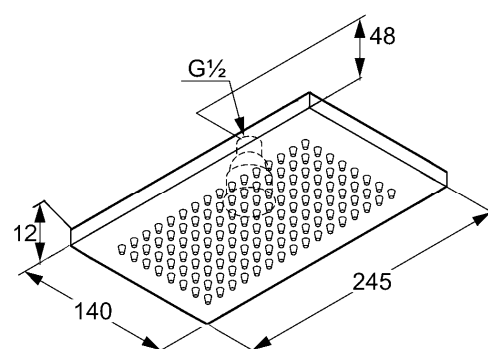


**Advertisement**

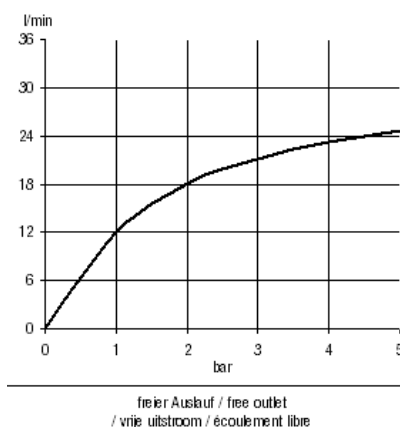
- \* KLUDI RAK LLC PROFILE headshower DN 15 item no. RAK14018
- \*\* chrome plated brass / plastic, DIN EN 1112

headshower DN 15, manufacturer / type KLUDI RAK LLC PROFILE headshower DN 15 item no. RAK14018, chrome plated brass/plastic, flow rate at 3 bar flow pressure max. 0,35 l/s, diameter: H = 48 mm / W 140 mm / D = 245 mm, with swivel ball joint 1/2 female thread, with quick action limecleaner and 128 spray holes, pre-assembled filter packing, for use with wall-mounted showers or with ceiling shower arm, PN 5,

**Dimensional drawing**



**Flow rate diagram**





Product: **concealed bath- and shower mixer DN 15**

Ref.: **RAK14012**

**Product description**

concealed bath- and shower mixer DN 15  
 pre-installation set  
 without trim set  
 in-wall installation  
 flow class BB  
 ceramic cartridge with hot water safety device  
 including adhesive cuff for  
 concealed dry-installation  
 connection 4 x female thread 1/2 inch  
 P-IX 9734/IBB  
 in accordance to ..EN 817

**Advertisement**

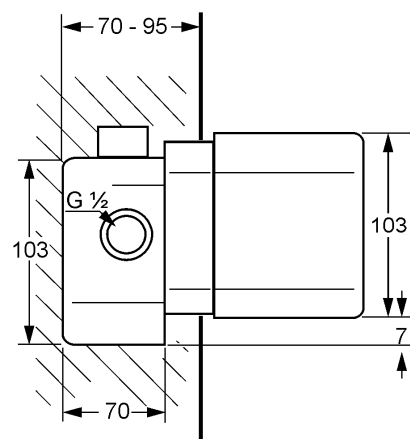
- \* KLUDI RAK LLC concealed bath/shower mixer item no. RAK14012
- \*\* ceramic cartridge with hot water safety device Ø 41 mm, DIN EN 817
- \*\*\* brass, DIN 50930-6
- \*\*\*\* protected against back flow with wall mounted bath spout with diverter item no. RAK11013

concealed bath/shower mixer, manufacturer KLUDI RAK LLC concealed bath/shower mixer item no. RAK14012, DN 15, brass, ceramic cartridge with hot water safety device Ø 41 mm, noise level DIN EN 4109 group I, report no. P- IX 9734 / IBB, flow class B B (max. 0,42 l/s), installation depth 70 till 95 mm, type: concealed shower or bath/shower mixer, including adhesive cuff for concealed dry- installation, protected against back flow with wall mounted bath spout with diverter item no. RAK11013, for pressure type water heater, for continuous line heater, PN 10,

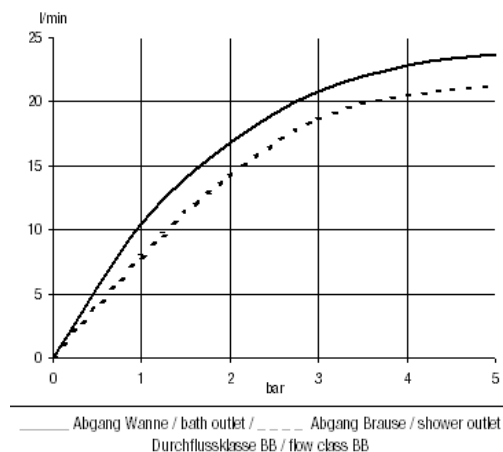
**Product picture**



**Dimensional drawing**



**Flow rate diagram**



Product: **FLEXX.BOXX concealed bath- and shower mixer DN 20**

Ref.: **RAK14011**

**Product description**

concealed bath/shower mixer DN 20  
 pre-installation set  
 in-wall installation  
 flow class D C  
 ceramic cartridge with hot water safety device  
 with one-piece elastic casing  
 with protection cap  
 mounting-depth-compensation  
 with tight gasket  
 copper dezincification resistance  
 connection 4 x female thread 3/4 inch  
 PA- IX 18967 / IDC

**Advertisement**

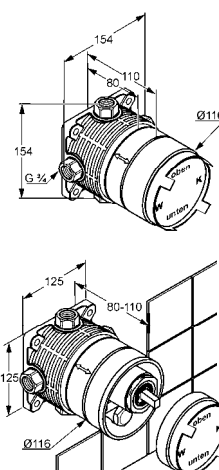
- \* KLUDI RAK LLC FLEXX.BOXX concealed bath/shower mixer item no. RAK14011
- \*\* ceramic cartridge with hot water safety device Ø 41 mm, DIN EN 817
- \*\*\* brass dezincification resistance, AS/NZS 2345
- \*\*\*\* protected against back flow with wall mounted bath spout with diverter item no. RAK11013

concealed bath/shower mixer, manufacturer KLUDI RAK LLC FLEXX.BOXX concealed bath/shower mixer item no. RAK14011, DN 20, brass dezincification resistance, ceramic cartridge with hot water safety device Ø 41 mm, noise level DIN 4109 group I, report no. PA-IX 18967/I DC, flow class D C (max. 0,40 l/s), installation depth 80 till 110 mm, type: concealed bath/shower mixer DN 20, body isolate to noise and temperature, with one-piece elastic casing, with protection cap, with tight gasket, protected against back flow with wall mounted bath spout with diverter item no. RAK11013, connection female thread 3/4 inch, for pressure type water heater, continuous line heater, PN 10,

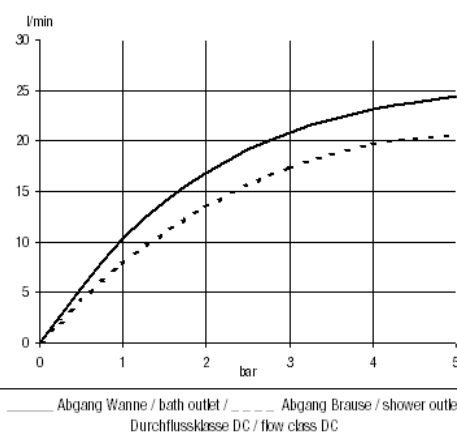
**Product picture**



**Dimensional drawing**



**Flow rate diagram**



Product: **PASSION single lever basin mixer DN 10**

Ref.: **RAK13000**

Product description

single lever basin mixer DN 10  
 solid lever  
 single hole mounted  
 flow class A  
 Cache aerator M 24 x 1  
 ceramic cartridge with hot water safety device  
 pop up waste G 1 ¼  
 flexible high pressure supply tubes 3/8 inch  
 rapid installation set  
 noise level I  
 in accordance to ..EN 817

Finishes:  
 chrome plated

Advertisement

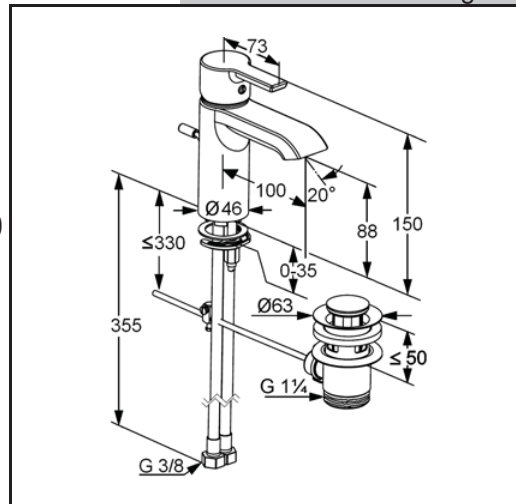
- \* KLUDI RAK LLC PASSION single lever basin mixer item no. RAK13000
- \*\* ceramic cartridge with hot water safety device Ø 35 mm, DIN EN 817
- \*\*\* chrome plated brass, DIN 50930-6

single lever basin mixer, manufacturer KLUDI RAK  
 LLC PASSION single lever basin mixer item no.  
 RAK13000, DN 10, chrome plated  
 brass, ceramic cartridge with hot water safety  
 device Ø 35 mm, solid lever, noise level DIN EN  
 4109 group I, without report no., type: single  
 lever basin mixer DN 10, flow class A (max. 0,20 l/s),  
 with Cache aerator M 24 X I , pop up waste 1 1/4 inch,  
 flexible high pressure supply tubes 3/8 inch with  
 DVGW / KIWA / WRAS / CSTB with metal body  
 length 355 mm, nozzle projection 100 mm, nozzle  
 height 88 mm, lever projection 73 mm, rapid  
 installation set, overall length 150 mm, for pressure  
 type water heater, for continuous line heater, PN 10,

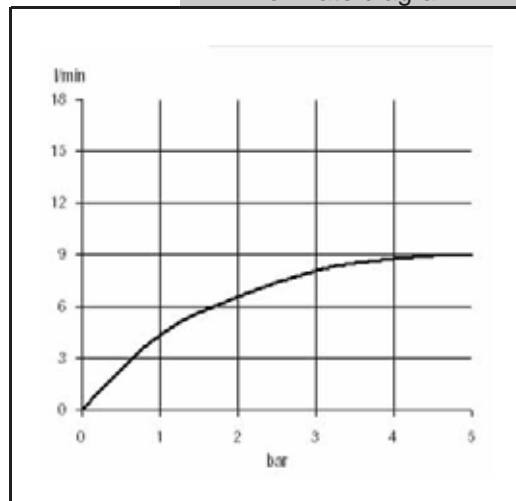
Product picture



Dimensional drawing



Flow rate diagram



**KLUDI**  
**RAK**

Product: **PASSION single lever basin mixer DN 10**

Ref.: **RAK13000-01**

Product description

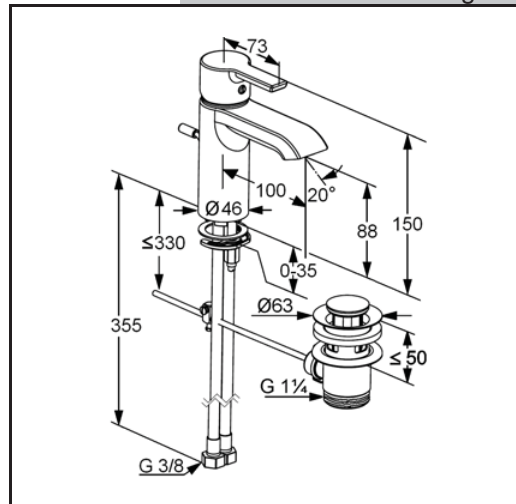
single lever basin mixer DN 10  
 solid lever  
 single hole mounted  
 flow class A  
 PCA Cache aerator M 24 x 1  
 ceramic cartridge with hot water safety device  
 pop up waste G 1 ¼  
 flexible high pressure supply tubes 3/8 inch  
 rapid installation set  
 noise level I  
 in accordance to ..EN 817  
 Pressure Compensating Aerator 6,0 l/min

Finishes:  
 05 chrome plated

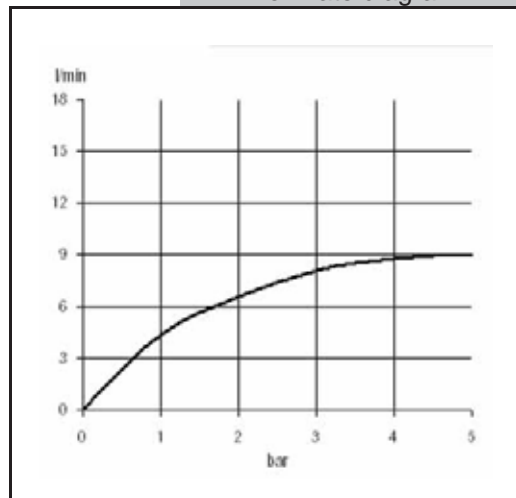
Product picture



Dimensional drawing



Flow rate diagram



Advertisement

- \* KLUDI RAK LLC PASSION single lever basin mixer item no. RAK13000
- \*\* ceramic cartridge with hot water safety device Ø 35 mm, DIN EN 817
- \*\*\* chrome plated brass, DIN 50930-6

single lever basin mixer, manufacturer KLUDI RAK LLC  
 PASSION single lever basin mixer item no. RAK13000,  
 DN 10, chrome plated brass, ceramic cartridge with hot  
 water safety device Ø 35 mm, solid lever, noise level  
 DIN EN 4109 group I, without report no., type: single  
 lever basin mixer DN 10, flow class A (max. 0,20 l/s),  
 with Cache aerator M 24 X I , pop up waste 1 1/4 inch,  
 flexible high pressure supply tubes 3/8 inch with  
 DVGW / KIWA / WRAS / CSTB with metal body length  
 355 mm, nozzle projection 100 mm, nozzle height 88 mm,  
 lever projection 73 mm, rapid installation set, overall length  
 150 mm, for pressure type water heater, for continuous  
 line heater, PN 10,

**KLUDI**  
**RAK**



Product picture



Product: **PASSION single lever bidet mixer DN 10**

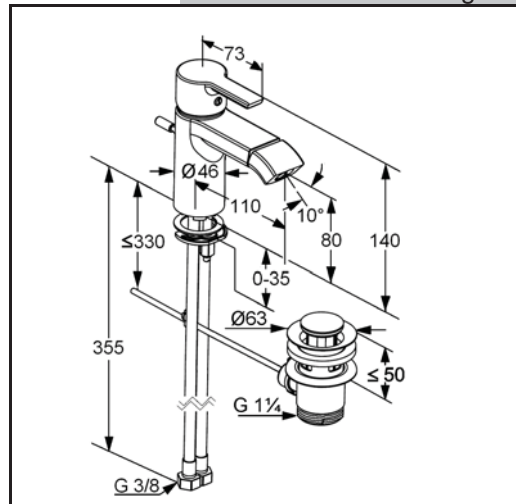
Ref.: **RAK13001**

Product description

single lever bidet mixer DN 10  
 solid lever  
 single hole mounted  
 flow class Z  
 ball joint Cache aerator M 18,5 x 1  
 ceramic cartridge with hot water safety device  
 pop up waste G 1 ¼  
 flexible high pressure supply tubes 3/8 inch  
 rapid installation set  
 noise level I  
 in accordance to ..EN 817

Finishes:  
 chrome plated

Dimensional drawing

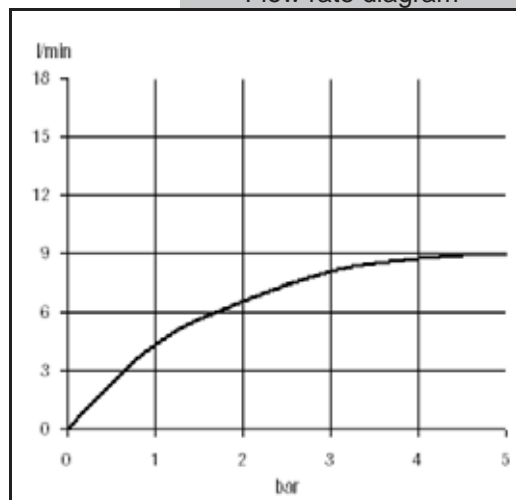


Advertisement

- \* KLUDI RAK LLC PASSION bidet- single lever mixer item no. RAK13001
- \*\* ceramic cartridge with hot water safety device Ø 35 mm, DIN EN 817
- \*\*\* chrome plated brass, DIN 50930-6

bidet- single lever mixer, manufacturer KLUDI RAK LLC PASSION bidet- single lever mixer item no. RAK13001, DN 10, chrome plated brass, ceramic cartridge with hot water safety device Ø 35 mm, solid lever, noise level DIN EN 4109 group I, without report no., type: bidet- single lever mixer DN 10, flow class Z (max. 0,14 l/s), pop up waste 1 1/4 inch, flexible high pressure supply tubes 3/8 inch with DVGW / KIWA / CSTB / WRAS with metal body length 355 mm, nozzle projection 110 mm, nozzle height 80 mm, lever projection 73 mm, rapid installation set, ball- joint Cache aerator M 18,5 x 1, overall length 140 mm, for pressure type water heater, for continuous line heater, PN 10,

Flow rate diagram



**KLUDI**  
**RAK**

Product: **PASSION single lever bidet mixer DN 10**

Ref.: **RAK13001-01**

**Product description**

single lever bidet mixer DN 10  
 solid lever  
 single hole mounted  
 flow level 6,0 l/min  
 ball joint Cache aerator M 18,5 x 1  
 ceramic cartridge with hot water safety device  
 pop up waste G 1 ¼  
 flexible high pressure supply tubes 3/8 inch  
 rapid installation set  
 noise level I  
 in accordance to ..EN 817

Finishes:  
 chrome plated

Pressure Compensating Aerator 6,0l/min

**Advertisement**

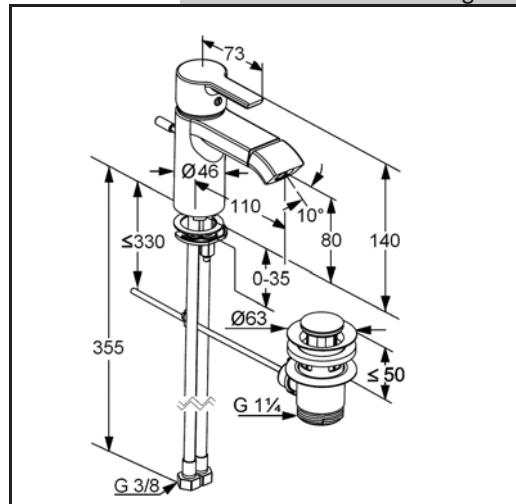
- \* KLUDI RAK LLC PASSION bidet- single lever mixer item no. RAK13001
- \*\* ceramic cartridge with hot water safety device Ø 35 mm, DIN EN 817
- \*\*\* chrome plated brass, DIN 50930-6

bidet- single lever mixer, manufacturer KLUDI RAK LLC PASSION bidet- single lever mixer item no. RAK13001, DN 10, chrome plated brass, ceramic cartridge with hot water safety device Ø 35 mm, solid lever, noise level DIN EN 4109 group I, without report no., type: bidet- single lever mixer DN 10, flow class Z (max. 0,14 l/s), pop up waste 1 1/4 inch, flexible high pressure supply tubes 3/8 inch with DVGW / KIWA / CSTB / WRAS with metal body length 355 mm, nozzle projection 110 mm, nozzle height 80 mm, lever projection 73 mm, rapid installation set, ball- joint Cache aerator M 18,5 x 1, overall length 140 mm, for pressure type water heater, for continuous line heater, PN 10,

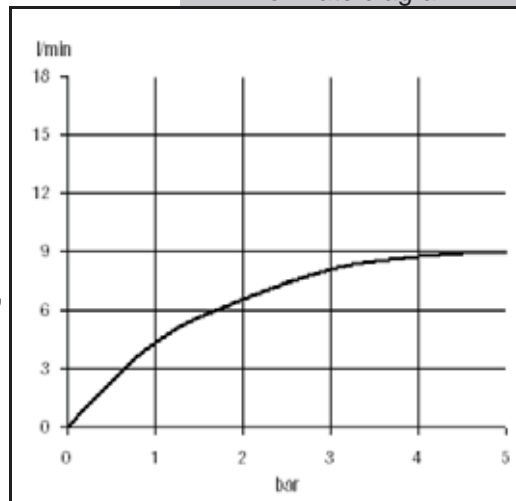
Product picture



Dimensional drawing



Flow rate diagram



**KLUDI**  
**RAK**

Product: **PASSION single lever bath- and shower mixer DN 15**

Ref.: **RAK13002**

**Product description**

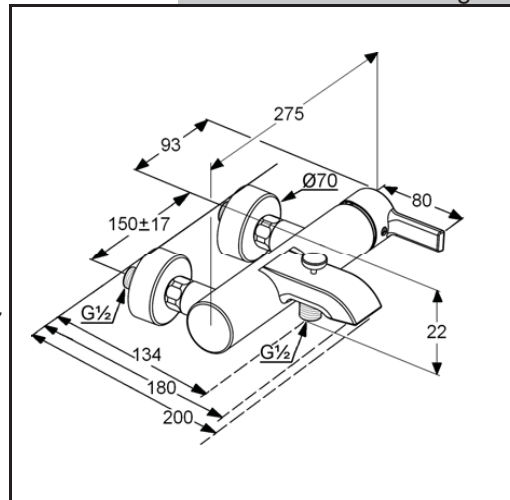
single lever bath- and shower mixer DN 15  
 solid lever  
 wall fastening  
 flow class CB  
 aerator M 24 x I  
 ceramic cartridge with hot water safety device  
 automatic diverter: shower to bath tub  
 shower outlet 1/2 inch  
 protected against back flow  
 S- unions 1/2 x 3/4 inch  
 without shower set, noise level I,  
 in accordance to ..EN 817

Finishes:  
 chrome plated

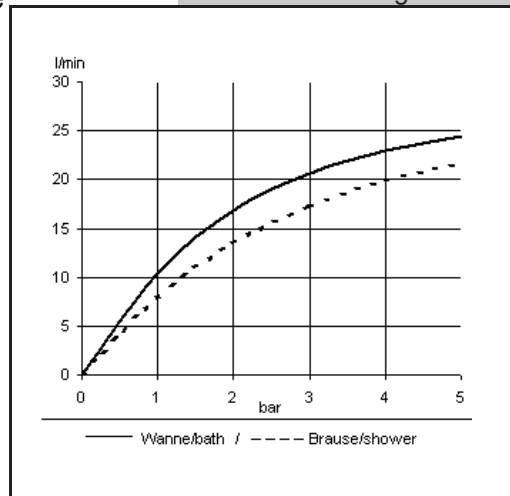
**Product picture**



**Dimensional drawing**



**Flow rate diagram**



**Advertisement**

- \* KLUDI RAK PASSION single lever bath- and shower mixer item no. RAK13002
- \*\* ceramic cartridge with hot water safety device Ø 41 mm, DIN EN 817
- \*\*\* chrome plated brass, DIN 50930-6

single lever bath and shower mixer, manufacturer KLUDI RAK  
 PASSION single lever bath- and shower mixer item no.  
 RAK13002, DN 15, chrome plated brass, S unions 1/2 x 3/4 inch,  
 aerator M 24 x I C, flow class CB (max. 0,42 l/s), solid lever, noise  
 level DIN EN 4109 group I, without report no., type: single lever  
 bath- and shower mixer DN 15, automatic diverter: shower to  
 bath tub, protected against back flow DIN EN 1717, shower  
 outlet 1/2 inch, lever projection 80 mm, ceramic cartridge  
 breadth 275 mm, diameter rosette 70 mm, for pressure  
 type water heater, for continuous line heater, PN 10,

**KLUDI**  
**RAK**

Product: **PASSION concealed bath- and shower mixer, trim set**

Ref.: **RAK 13003**

Product description

concealed bath- and shower mixer trim set  
solid lever

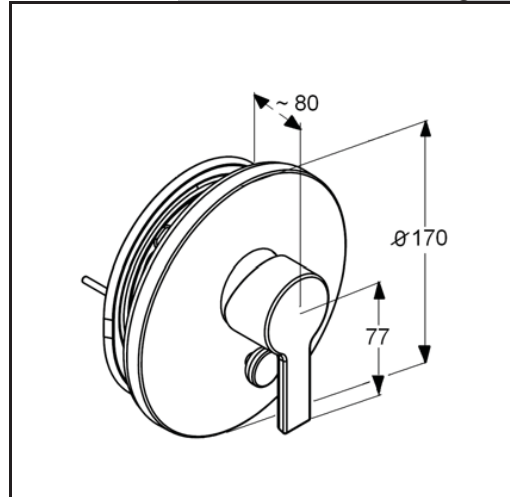
Finishes:  
chrome plated

automatic diverter: shower to bath tub  
for concealed bath/shower mixer DN 20  
FLEXX.BOXX RAK13008-02 or concealed bath/shower  
mixer DN 15 RAK13009-02

Product picture



Dimensional drawing



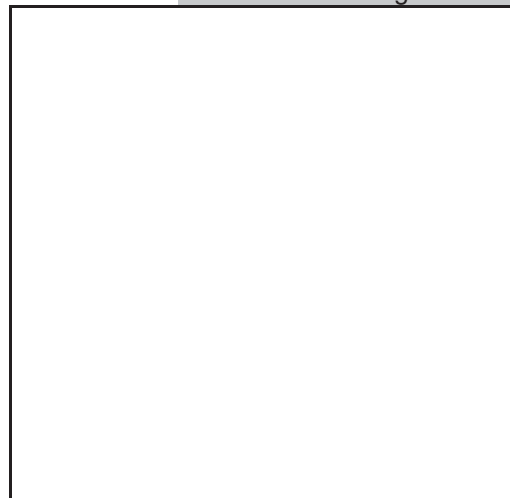
Advertisement

- \* KLUDI RAK LLC concealed bath/shower mixer item no. RAK13003
- \* for use with concealed bath/shower mixer DN 20 FLEXX.BOXX item no. RAK13008 or concealed bath/shower mixer DN 15 item no. RAK13009
- \*\* chrome plated brass/plastic, DIN EN 817

concealed bath/shower mixer trim set, manufacturer  
KLUDI RAK PASSION item  
no. RAK13003, type: concealed bath/shower mixer trim set for concealed  
bath/shower mixer DN 20 FLEXX.BOXX item no.  
RAK13008 or concealed bath/shower

mixer DN 15 item no. RAK13009, solid lever,  
wall flange chrome plated plastic, with  
automatic diverter: shower to bath tub, lever projection 77 mm,  
diameter wall flange  
170 mm, protection against back flow look at pre-installations  
set FLEXX.BOXX item  
no. RAK13008-02 or pre-installation set item no. RAK13009,

Flow rate diagram



**KLUDI**  
**RAK**

Product: **PASSION single lever shower mixer DN 15**

Ref.: **RAK13005**

Product description

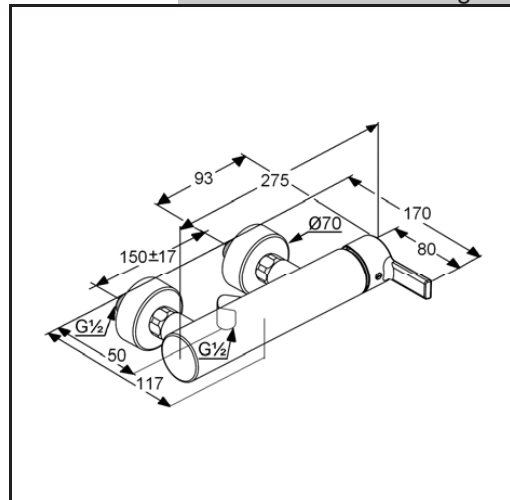
single lever shower mixer DN 15  
 solid lever  
 wall fastening  
 flow class B  
 ceramic cartridge with hot water safety device  
 revolving shower outlet 1/2 inch  
 protected against back flow  
 S-unions 1/2 x 3/4 inch  
 revolving control panel  
 usable on both sides  
 noise level I  
 in accordance to ..EN 817

Finishes:  
 chrome plated

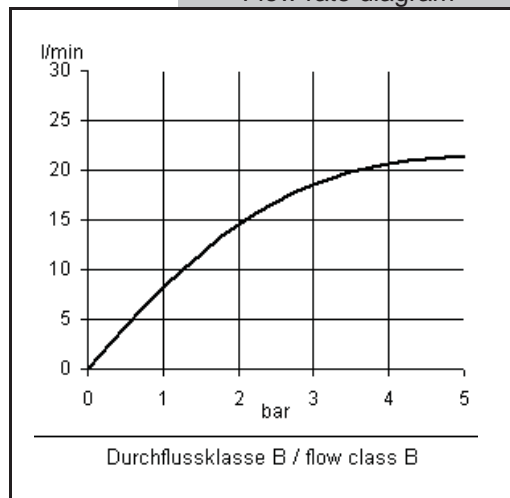
Product picture



Dimensional drawing



Flow rate diagram



Advertisement

- \* KLUDI RAK PASSION single lever shower mixer item no. RAK13005-02
- \*\* ceramic cartridge with hot water safety device Ø 41 mm, DIN EN 817
- \*\*\* chrome plated brass DIN 50930-6

single lever shower mixer DN 15, manufacturer RAK CERAMICS  
 PASSION single levershower mixer item no. RAK13005-02,  
 DN 15, chrome plated brass, ceramic cartridge with  
 hot water safety device Ø 41 mm, solid lever, noise  
 level DIN EN 4109 group I, without report no., type:  
 single lever shower mixer DN 15, protected against  
 back flow DIN EN 1717, revolving shower outlet 1/2 inch,  
 S unions 1/2 x 3/4 inch, lever projection 80 mm, projection  
 lever 170 mm / body 117 mm, projection shower outlet 50 mm,  
 flow class B (max. 0,42 l/s), revolving control panel usable on  
 left or rightside, for pressure type water heater,  
 for continuous line heater, PN 10,

**KLUDI**  
**RAK**



Product: **PASSION concealed shower mixer, trim set**

Ref.: **RAK13006**

Product description

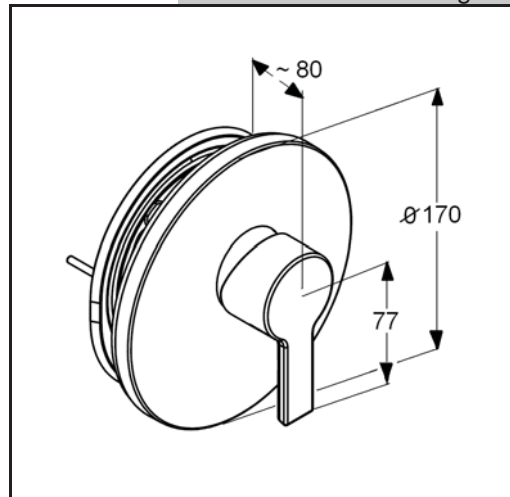
concealed shower mixer trim set  
 solid lever  
 for concealed bath/shower mixer DN 20  
 FLEXX.BOXX RAK13008-02 or concealed bath/shower  
 mixer DN 15 RAK13009-02

Finishes:  
 chrome plated

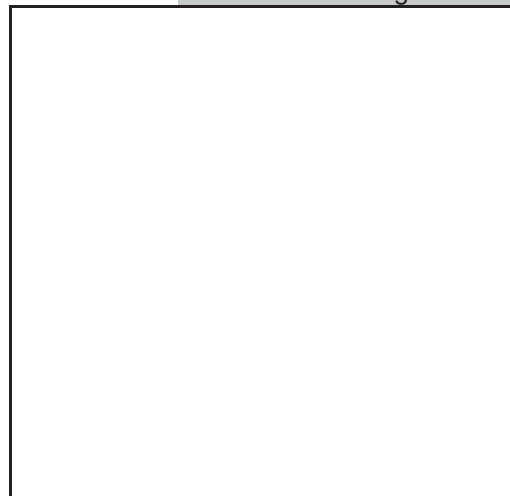
Product picture



Dimensional drawing



Flow rate diagram



Advertisement

- \* KLUDI RAK LLC PASSION concealed shower mixer item no. RAK13006
- \*\* for concealed bath/shower mixer DN 20 FLEXX.BOXX item no. RAK130082 or concealed bath/shower mixer DN 15 item no. RAK13009
- \*\*\* chrome plated brass/plastic, DIN EN 817

concealed shower mixer trim set, manufacturer KLUDI RAK LLC PASSION concealed shower mixer trim set item no. RAK13006, type: concealed shower mixer trim set for concealed bath/shower mixer DN 20 FLEXX.BOXX item no. RAK13008 or concealed bath/shower mixer DN 15 item no. RAK13009, solid lever, wall flange chrome plated plastic, lever projection 77 mm, diameter wall flange 170 mm, protection against back flow look at pre- installation set FLEXX.BOXX item no. RAK13008 or item no. RAK13009,

Product: **FLEXX.BOXX concealed bath- and shower mixer DN 20**  
 Ref.: **RAK13008**

**Product description**

concealed bath/shower mixer DN 20  
 pre-installation set  
 in-wall installation  
 flow class D C  
 ceramic cartridge with hot water safety device  
 with one-piece elastic casing  
 with protection cap  
 mounting-depth-compensation  
 with tight gasket  
 copper dezincification resistance  
 connection 4 x female thread 3/4 inch  
 PA- IX 18967 / IDC

**Advertisement**

- \* RAK CERAMICS FLEXX.BOXX concealed bath/shower mixer item no. RAK13008
- \*\* ceramic cartridge with hot water safety device Ø 41 mm, DIN EN 817
- \*\*\* brass dezincification resistance, AS/NZS 2345
- \*\*\*\* protected against back flow with wall mounted bath spout with diverter item no. RAK11013

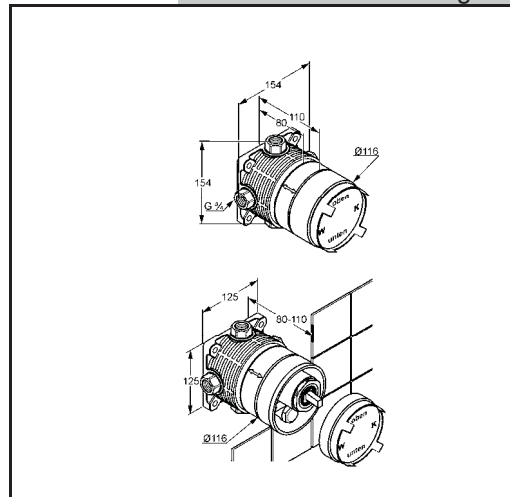
concealed bath/shower mixer, manufacturer KLUDI RAK FLEXX.BOXX concealed bath/shower mixer item no. RAK13008-02, DN 20, brass dezincification resistance, ceramic cartridge with hot water safety device Ø 41 mm, noise level DIN 4109 group I, report no. PA-IX 18967/I DC, flow class D C (max. 0,40 l/s), installation depth 80 till 110 mm, type: concealed bath/shower mixer DN 20, body isolate to noise and temperature, with one-piece elastic casing, with protection cap, with tight gasket, protected against back flow with wall mounted bath spout with diverter item no. RAK11013-02, connection female thread 3/4 inch, for pressure type water heater, continuous line heater, PN 10,

**KLUDI**  
**RAK**

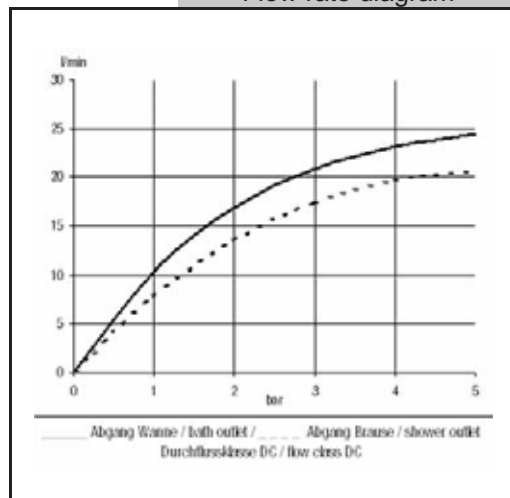
**Product picture**



**Dimensional drawing**



**Flow rate diagram**



Product: **Concealed bath- and Shower mixer DN 15**

Ref.: **RAK13009**

**Product description**

concealed bath- and shower mixer DN 15  
 pre-installation set  
 without trim set  
 in-wall installation  
 flow class BB  
 ceramic cartridge with hot water safety device  
 including adhesive cuff for  
 concealed dry-installation  
 connection 4 x female thread 1/2 inch  
 P-IX 9734/IBB  
 in accordance to ..EN 817

**Advertisement**

- \* KLUDI RAK concealed bath/shower mixer item no. RAK13009
- \*\* ceramic cartridge with hot water safety device Ø 41 mm, DIN EN 817
- \*\*\* brass, DIN 50930-6
- \*\*\*\* protected against back flow with wall mounted bath spout with diverter item no. RAK11013

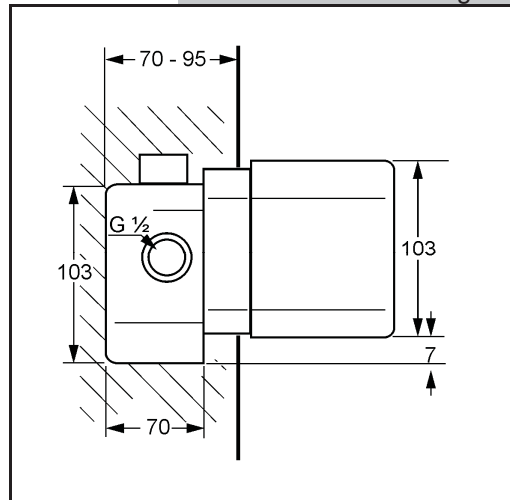
concealed bath/shower mixer, manufacturer KLUDI RAK  
 concealed bath/shower mixer item no. RAK13009,  
 DN 15, brass, ceramic cartridge with hot water safety  
 device Ø 41 mm, noise level DIN EN 4109 group I, report  
 no. P- IX 9734 / IBB, flow class B B (max. 0,42 l/s),  
 installation depth 70 till 95 mm, type: concealed shower or  
 bath/shower mixer, including adhesive cuff for  
 concealed dry- installation, protected against back  
 flow with wall mounted bath spout with diverter  
 item no. RAK11013, for pressure type water heater,  
 for continuous line heater, PN 10,

**KLUDI**  
**RAK**

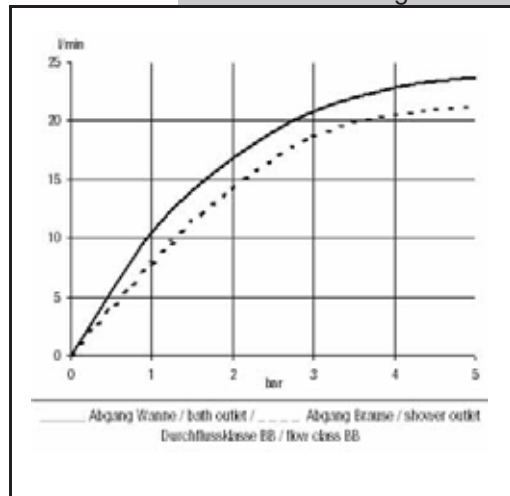
**Product picture**



**Dimensional drawing**



**Flow rate diagram**



Product: **PASSION single lever sink mixer DN1**

Ref.: **RAK13012**

**Product description**

single lever sink mixer DN 10  
 single hole mounted  
 flow class Z  
 PCA Cache aerator M 16,5 x I  
 ceramic cartridge with hot water safety device  
 swivel spout  
 rapid installation set  
 flexible high pressure supply tubes 3/8 inch  
 noise level I  
 in accordance to ..EN 817

Finishes:  
 chrome plated

**Advertisement**

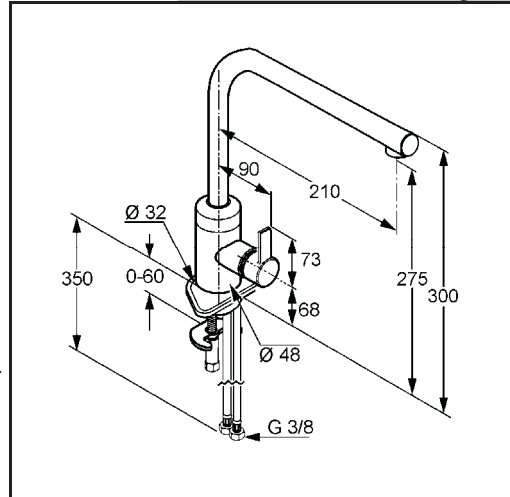
- \* KLUDI RAK LLC PASSION single lever sink mixer DN 10 item no. RAK13012
- \*\* ceramic cartridge with hot water safety device Ø 35 mm, DIN EN 817
- \*\*\* chrome plated brass, DIN 50930-6

single lever sink mixer, manufacturer KLUDI RAK LLC PASSION single lever sink mixer DN 10 item no. RAK13012, chrome plated brass, ceramic cartridge with hot water safety device Ø 35 mm, solid lever, noise level DIN EN 4109 group I, without report no., type: single lever basin mixer DN 10, PCA Cache aerator M 16,5 x I, flow class Z (max. 0,14 l/s), nozzle projection 210 mm, rapid installation set, flexible high pressure supply tubes 3/8 inch with metal body with DVGW/KIWA/WRAS/CSTB approval length 350 mm, nozzle height 275 mm / 300 mm, overall length 300 mm, for borehole diameter 32 mm, for pressure type water heater, for continuous line heater, PN 10,

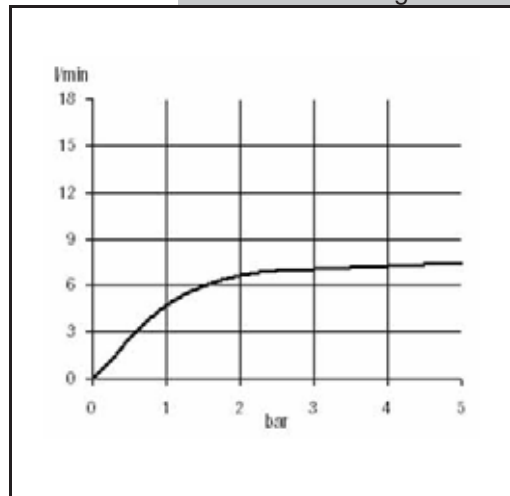
**Product picture**



**Dimensional drawing**



**Flow rate diagram**



**KLUDI**  
**RAK**

Product: **PASSION single lever sink mixer DN 10**

Ref.: **RAK13012-01**

**Product description**

single lever sink mixer DN 10  
 single hole mounted  
 flow level 5,0 l/min  
 PCA Cache aerator M 16,5 x 1  
 ceramic cartridge with hot water safety device  
 swivel spout  
 rapid installation set  
 flexible high pressure supply tubes 3/8 inch  
 noise level I  
 in accordance to ..EN 817  
 PressureCompensation Aerator 5,0 l/min

Finishes:  
 chrome plated

**Advertisement**

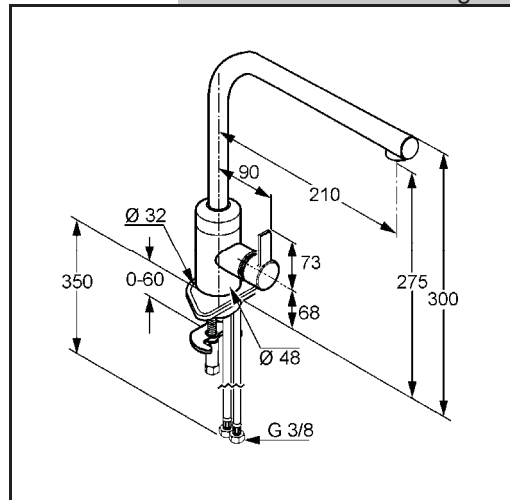
- \* KLUDI RAK LLC PASSION single lever sink mixer DN 10 item no. RAK13012
- \*\* ceramic cartridge with hot water safety device Ø 35 mm, DIN EN 817
- \*\*\* chrome plated brass, DIN 50930-6

single lever sink mixer, manufacturer KLUDI RAK LLC PASSION single lever sink mixer DN 10 item no. RAK13012, chrome plated brass, ceramic cartridge with hot water safety device Ø 35 mm, solid lever, noise level DIN EN 4109 group I, without report no., type: single lever basin mixer DN 10, PCA Cache aerator M 16,5 x 1, flow class Z(max. 0,14 l/s), nozzle projection 210 mm, rapid installation set, flexible high pressure supply tubes 3/8 inch with metal body with DVGW/KIWA/WRAS/CSTB approval length 350 mm, nozzle height 275 mm / 300 mm, overall length 300 mm, for boreholediameter 32 mm, for pressure type water heater, for continuous line heater, PN 10,

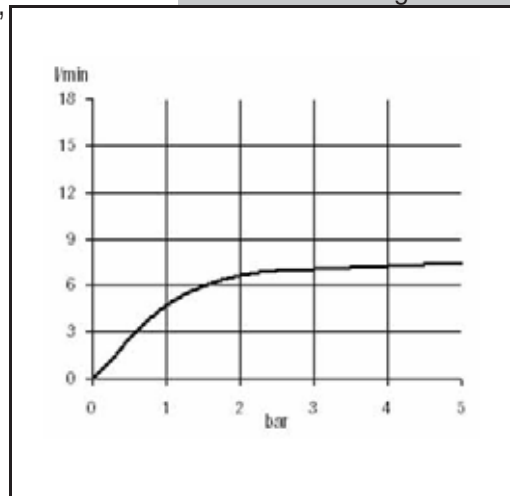
**Product picture**



**Dimensional drawing**



**Flow rate diagram**



**KLUDI**  
**RAK**



Product: **PASSION handshower 1 S DN 15**

Ref.: **RAK13019**

### Product description

handshower DN 15  
 with big size shower spray  $\varnothing$  137 mm  
 angle adjustable in 5° stages  
 (max. tilt angle 30°)  
 voluminous shower spray from 90 spray nozzles  
 flow rate 18,7 l/min at 3 bar  
 with cleaning system  
 low-aerosol  
 connection 1/2 inch  
 P- IX 19052/IB

Finishes:  
 chrome plated

### Product picture

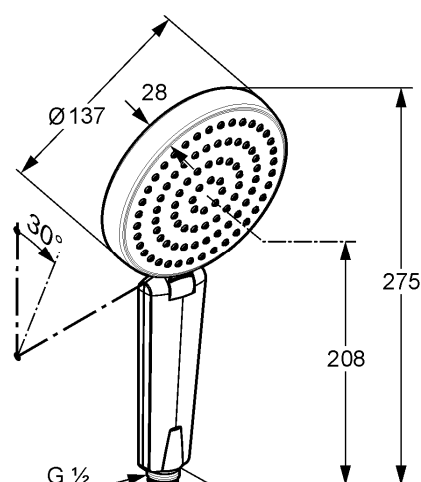


### Advertisement

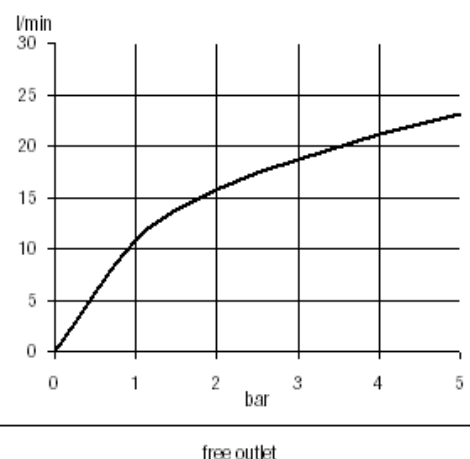
- \* KLUDI RAK LLC PASSION handshower 1 S item no. RAK13019
- \*\* with cleaning system, DIN EN 1112

handshower, manufacturer KLUDI RAK LLC PASSION handshower 1 S item no. RAK13019, DN 15, chrome plated plastic, noise level DIN 4109 group I, report no. P- IX 19052/IB, with big size shower spray  $\varnothing$  137 mm, voluminous shower spray from 90 spray nozzles, flow rate 18,7 l/min at 3 bar, with normal spray and cleaning system, swivel handshower angle adjustable in 5° stages (max. tilt angle 30°), for pressure type water heater, for continuous line heater, PN 5,

### Dimensional drawing



### Flow rate diagram



Product: **PASSION shower set DN 15**

Ref.: **RAK13017**

**Product description**

shower set DN 15  
 L = 900 mm  
 wall rail with horizontally and vertically adjustable slider  
 with screws and dowels  
 with 1 S Handshower with handshower ½ inch  
 with cleaning system  
 Angle adjustable in 5° stages (max. tilt angle 30°)  
 Voluminous shower spray from 90 spray nozzles  
 Flow rate 18.7 l/min at 3 bar  
 with shower hose ½ inch x ½ inch x 1600 mm  
 with conical nuts  
 noise level I, report no. P- IX 19052/IB

Finishes:  
 chrome plated

**Advertisement**

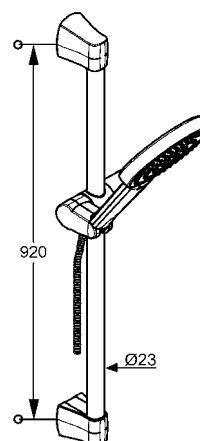
- \* KLUDI RAK LLC PASSION shower set DN 15 item no. RAK13017
- \*\* length wall rail 900 mm
- \*\*\* length shower hose 1600 mm
- \*\*\*\* DIN EN 1112 / DIN EN 1113

shower set, manufacturer / type KLUDI RAK LLC PASSION shower set item no. RAK13017, shower rod length 920 mm of chrome plated brass, with shower holder for conical nuts, shower holder horizontally and vertically adjustable, with shower hose 1600 mm in length, 1/2 inch x 1/2 inch, of plastic with chrome appearance with metallic effect and chrome-plated conical nuts, with fastening materials, for drilled hole distance of 920 mm, with 1 S handshower with big size shower spray, angle adjustable in 5° steps, DN 15, chrome plated plastic, noise level DIN 4109 group I, report no. P- IX 19052/IB, with normal spray and cleaning system, swivel handshower (swing range 30°), for pressure type water heater, for continuous line heater, PN 5,

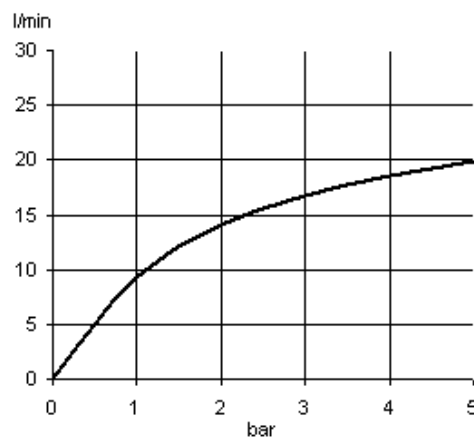
**Product picture**



**Dimensional drawing**



**Flow rate diagram**



Product: **PASSION Bath and shower filler deck mounted DN 20**

Ref.: **RAK13016UK**

**Product description**

Bath and shower filler DN 20  
 deck mounted  
 solid lever  
 flow class C  
 cascade aerator M 28 x I C for BS EN 200 Typ 1  
 flow straightener M 28 x I for BS EN 200 Typ 2  
 ceramic headparts 90°  
 automatic or manual diverter: shower to bath tub  
 shower outlet 1/2 inch  
 rapid installation set 3/4 inch

Finishes:  
 chrome plated

**Product picture**

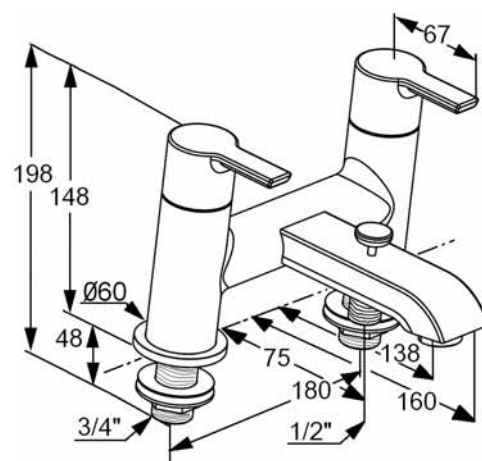


**Advertisement**

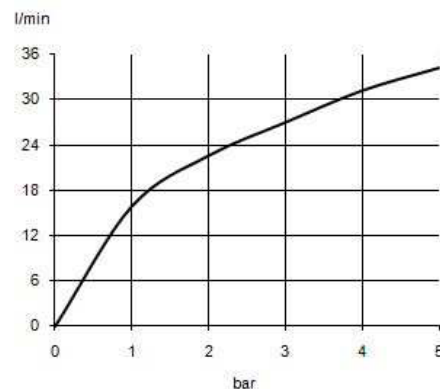
- \* KLUDI RAK LLC PASSION deck mounted bath and shower filler DN 20 item no. RAK13016UK
- \*\* ceramic headparts 90° 3/4 inch, BS EN 200:2008
- \*\*\* chrome plated brass, DIN 50930-6

deck mounted bath and shower filler DN 20, manufacturer KLUDI RAK LLC PASSION deck mounted bath and shower filler DN 20 item no. RAK13016UK, DN 20, chrome plated brass, solid lever, in flow class C noise level DIN EN 4109 group I, without report no., type: deck mounted bath and shower filler DN 20, cascade aerator M 28 x I C, flow class C (max. 0,60 l/s), lever projection 67 mm, ceramic headparts 90° 3/4 inch, with automatic or manual diverter: shower to bath tub, nozzle projection 138/160 mm, overall height 148 mm, breadth from center to center 180 mm, breadth incl. rosette 240 mm, diameter rosette 60 mm, BS EN 200:2008 Typ 1 = mixed water 3 bar = 20,0 l/min // Typ 2 = mixed water 0,2 bar = 22,5 l/min, for pressure type water heater, for continuous line heater, PN 10,

**Dimensional drawing**



**Flow rate diagram**



BS EN 200:2008 TYP 1  
 flow pressure 3 bar mixed water

Product: **PASSION Bath filler deck mounted DN 20**

Ref.: **RAK13015UK**

**Product description**

Bath filler DN 20  
 deck mounted  
 solid lever  
 flow class C  
 cascade aerator M 28 x I C for BS EN 200 Typ 1  
 flow straightener M 28 x I for BS EN 200 Typ 2  
 ceramic headparts 90°  
 rapid installation set 3/4 inch

Finishes:  
 chrome plated

**Product picture**

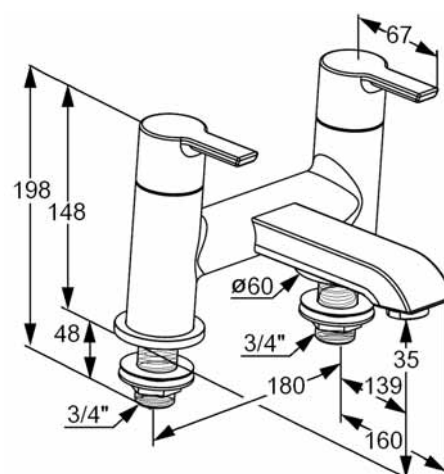


**Advertisement**

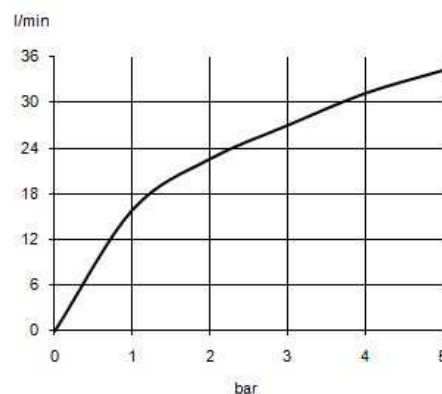
- \* KLUDI RAK LLC PASSION deck mounted bath filler DN 20 item no. RAK13015UK
- \*\* ceramic headparts 90° 3/4 inch, BS EN 200:2008
- \*\*\* chrome plated brass, DIN 50930-6

deck mounted bath filler DN 20, manufacturer KLUDI RAK LLC PASSION deck mounted bath filler DN 20 item no. RAK13015UK, DN 20, chrome plated brass, solid lever, in flow class C noise level DIN EN 4109 group I, without report no., type: deck mounted bath filler DN 20, cascade aerator M 28 x I C, flow class C (max. 0,60 l/s), lever projection 67 mm, ceramic headparts 90° 3/4 inch, nozzle projection 139/160 mm, overall height 148 mm, breadth from center to center 180 mm, breadth incl. rosette 240 mm, diameter rosette 60 mm, BS EN 200:2008 Typ 1 = mixed water 3 bar = 20,0 l/min // Typ 2 = mixed water 0,2 bar = 22,5 l/min, for pressure type water heater, for continuous line heater, PN 10,

**Dimensional drawing**



**Flow rate diagram**



BS EN 200:2008 TYP 1  
 flow pressure 3 bar mixed water

Product: **PASSION shower set DN 15**

Ref.: **RAK13007**

**Product description**

shower set DN 15  
 L = 600 mm  
 wall rail with horizontally and vertically adjustable slider  
 with screws and dowels  
 with 1 S Handshower with handshower ½ inch  
 with cleaning system  
 Angle adjustable in 5° stages (max. tilt angle 30°)  
 Voluminous shower spray from 90 spray nozzles  
 Flow rate 18.7 l/min at 3 bar  
 noise level I, report no. P- IX 19052/IB  
 with shower hose ½ inch x ½ inch x 1600 mm  
 with conical nuts

Finishes:  
 chrome plated

**Advertisement**

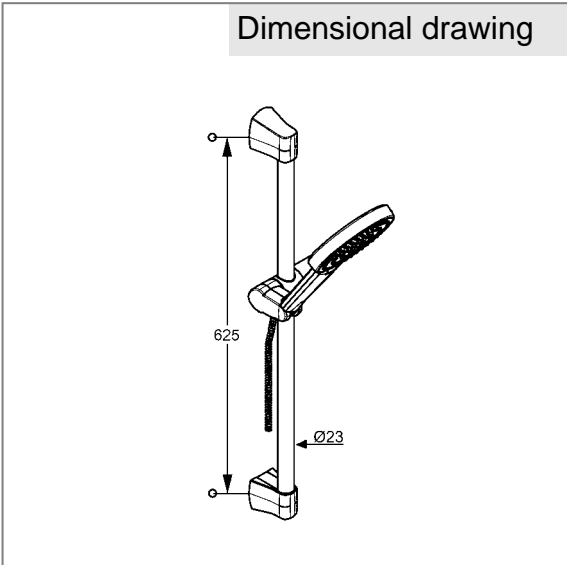
- \* KLUDI RAK LLC PASSION shower set DN 15 item no. RAK13007
- \*\* length wall rail 600 mm
- \*\*\* length shower hose 1600 mm
- \*\*\*\* DIN EN 1112 / DIN EN 1113

shower set, manufacturer / type KLUDI RAK LLC PASSION shower set item no. RAK13007, shower rod length 625 mm of chrome plated brass, with shower holder for conical nuts, shower holder horizontally and vertically adjustable, with shower hose 1600 mm in length, 1/2 inch x 1/2 inch, of plastic with chrome appearance with metallic effect and chrome-plated conical nuts, with fastening materials, for drilled hole distance of 625 mm, with 1 S handshower with big size shower spray, angle adjustable in 5° steps, DN 15, chrome plated plastic, noise level DIN 4109 group I, report no. P- IX 19052/IB, with normal spray and cleaning system, swivel handshower (swing range 30°), for pressure type water heater, for continuous line heater, PN 5,

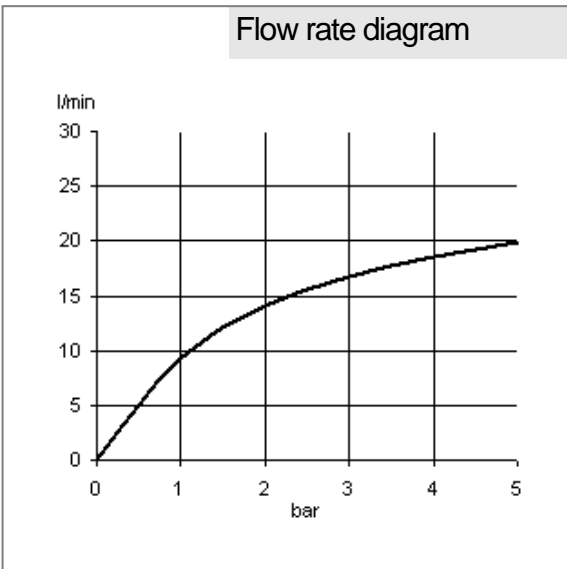
**Product picture**



**Dimensional drawing**



**Flow rate diagram**





**Product:** PRIME Single-lever basin mixer DN 10

**Ref.:** RAK12000

**Product description**

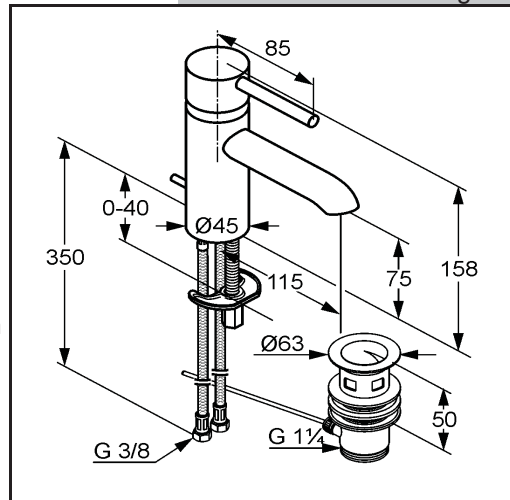
solid lever  
 single hole mounted  
 flow level 12,0 l/min  
 Cache aerator M 16,5 x 1  
 ceramic cartridge with hot water safety device  
 flexible high pressure supply tubes 3/8 inch  
 pop up waste G 1 1/4 inch  
 rapid installation set  
 in accordance to ..EN 817

Finishes:  
 05 chrome plated

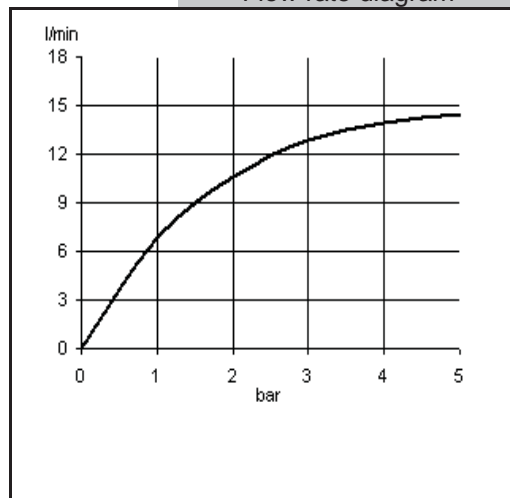
**Product picture**



**Dimensional drawing**



**Flow rate diagram**



**Advertisement**

- \* KLUDI RAK LLC item no. RAK12000
- \*\* chrome plated brass, in accord. to ..EN 50930-6
- \*\*\* in accordance to .. EN 817
- \*\*\*\* ceramic cartridge with hot water safety device  
 Ø 35 mm

single lever basin mixer, manufacturer KLUDI RAK LLC item no. RAK12000, DN 10, chrome plated brass, ceramic cartridge with hot water safety device Ø 35 mm, solid lever, noise level DIN EN 4109 group I, type: single lever basin mixer, flow level 12,0 l/min, Cache aerator M 16,5 X I, flexible high pressure supply tubes 3/8 inch with DVGW / KIWA / WRAS approv. with metal body length 350 mm, nozzle projection 115 mm, nozzle height 75 mm, lever projection 85 mm, rapid installation set, overall length 158 mm, pop up waste G 1 1/4 inch, for pressure type water heater, continuous line heater,

**KLUDI**  
**RAK**

Product: **PRIME Single lever basin mixer DN 15**

Ref.: **RAK12000-01**

**Product description**

solid lever  
 single hole mounted  
 flow level 5 l/min  
 PCA Cache aerator M 16,5 x 1  
 ceramic cartridge with hot water safety device  
 flexible high pressure supply tubes 1/2 inch  
 pop up waste G 1 1/4 inch  
 rapid installation set  
 in accordance to ..EN 817  
**Pressure Compensating Aerator 5 l/min**

Finishes:  
 05 chrome plated

**Advertisement**

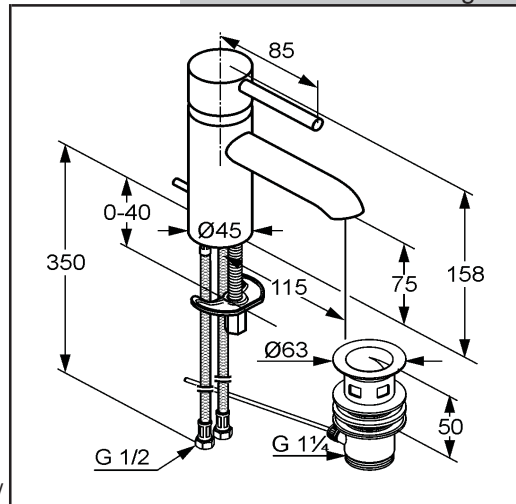
- \* KLUDI RAK LLC item no. RAK12000-01
- \*\* chrome plated brass, in accord. to ..EN 50930-6
- \*\*\* in accordance to .. EN 817
- \*\*\*\* ceramic cartridge with hot water safety device  
 Ø 35 mm

single lever basin mixer, manufacturer KLUDI RAK LLC item no. RAK12000-01, DN 15, chrome plated brass, ceramic cartridge with hot water safety device Ø 35 mm, solid lever, noise level DIN EN 4109 group I, type: single lever basin mixer DN 15, flow level 5 l/min, PCA Cache aerator M 16,5 X I, flexible high pressure supply tubes 1/2 inch with DVGW / KIWA / WRAS approv. with metal body length 350 mm, nozzle projection 115 mm, nozzle height 75 mm, lever projection 85 mm, rapid installation set, overall length 158 mm, pop up waste G 1 1/4 inch, for pressure type water heater, for continuous line heater,

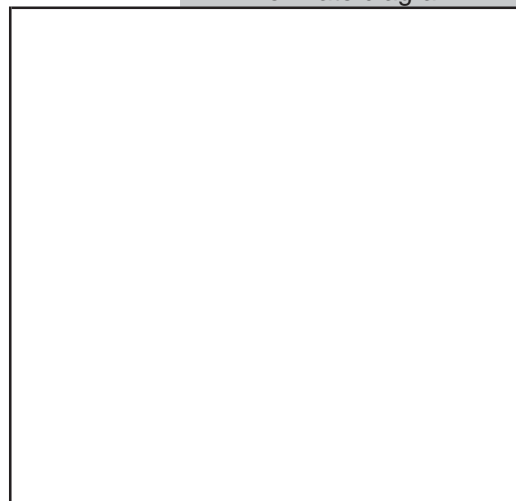
**Product picture**



**Dimensional drawing**



**Flow rate diagram**



**KLUDI**  
**RAK**

**Product:** PRIME Single-lever basin mixer DN 10 with raised base for use with counter-top basin

**Ref.:** RAK12001

**Product description**

solid lever  
 single hole mounted  
 with raised base for use with counter-top basin  
 flow level 12,0 l/min  
 Cache aerator M 16,5 x 1  
 ceramic cartridge with hot water safety device  
 flexible high pressure supply tubes 3/8 inch  
 rapid installation set  
 in accordance to ..EN 817

Finishes:  
 05 chrome plated

**Advertisement**

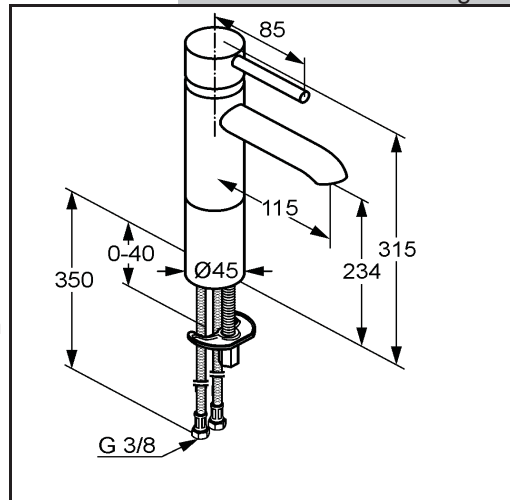
- \* KLUDI RAK LLC item no. RAK12001
- \*\* chrome plated brass, in accord. to ..EN 50930-6
- \*\*\* in accordance to .. EN 817
- \*\*\*\* ceramic cartridge with hot water safety device  
 Ø 35 mm

single lever basin mixer, manufacturer KLUDI RAK LLC item no. RAK12001, DN 10, chrome plated brass, ceramic cartridge with hot water safety device Ø 35 mm, solid lever, noise level DIN EN 4109 group I, type: single lever basin mixer, flow level 12,0 l/min, Cache aerator M 16,5 X I, flexible high pressure supply tubes 3/8 inch with DVGW / KIWA / WRAS approv. with metal body length 350 mm, nozzle projection 115 mm, nozzle height 234 mm, lever projection 85 mm, rapid installation set, overall length 315 mm, for pressure type water heater, continuous line heater,

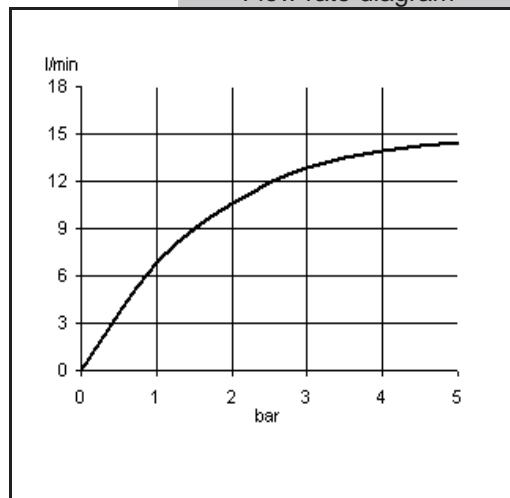
Product picture



Dimensional drawing



Flow rate diagram



**KLUDI**  
**RAK**

Product: **PRIME 3 - hole basin mixer DN 10, rigid spout**  
 Ref.: **RAK12002**

**Product description**

BOZZ handles  
 3 - hole mounted  
 rigid spout  
 flow level 12,0 l/min  
 Cache aerator M 21,5 x 1  
 ceramic headparts 90°  
 flexible high pressure supply tubes  
 pop up waste 1 1/4 inch  
 rapid installation set  
 in accordance to ..EN 200

Finishes:  
 05 chrome plated

**Advertisement**

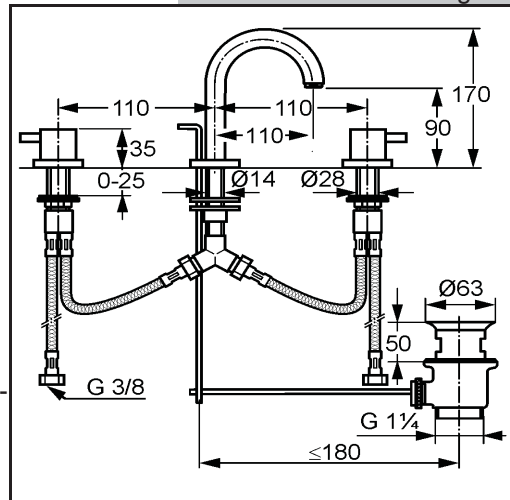
- \* KLUDI RAK LLC item no. RAK12002
- \*\* chrome plated brass, in accord. to ..EN 50930-6
- \*\*\* in accordance to .. EN 200
- \*\*\*\* ceramic headparts 90°

3 - hole basin mixer, manufacturer KLUDI RAK LLC item no. RAK12002, chrome plated brass, DN 10, ceramic headparts 90°, bozz handles, noise level DIN EN 4109 group I, type: 3 - hole basin mixer, Cache aerator M 21,5 x 1, flow rate 12,0 l/min, flexible high pressure supply tubes 3/8 inch with DVGW / KIWA / WRAS approv. with metal body length 350 mm, nozzle projection 110 mm, nozzle height 90 mm, overall length 170 mm, spout with rapid installation system, side valves with back nut fixing, handle diameter 32 mm, chrome plated rigid spout, pop up waste 1 1/4 inch, for pressure type water heater, continuous line heater,

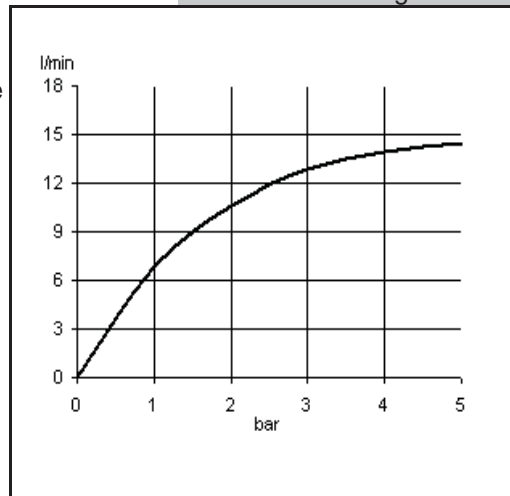
**Product picture**



**Dimensional drawing**



**Flow rate diagram**



**KLUDI**  
**RAK**

**Product:** PRIME Single-lever bidet mixer DN 10

**Ref.:** RAK12003

**Product description**

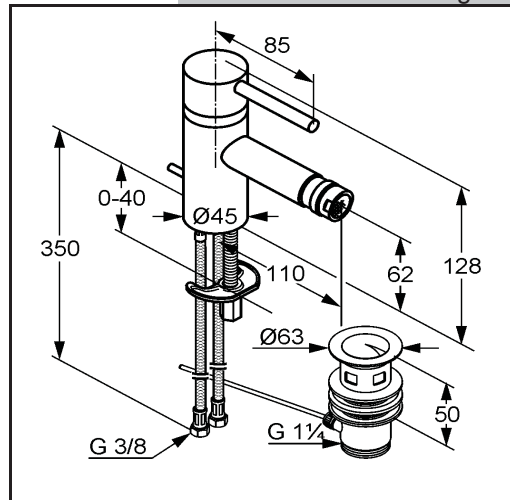
solid lever  
 single hole mounted  
 flow level 6,0 l/min  
 ball-joint aerator M 24 x 1  
 ceramic cartridge with hot water safety device  
 pop up waste 1 1/4 inch  
 flexible high pressure supply tubes 3/8 inch  
 rapid installation set  
 in accordance to ..EN 817

Finishes:  
 05 chrome plated

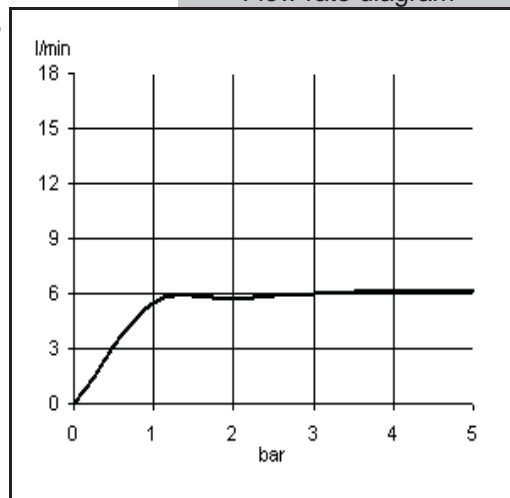
Product picture



Dimensional drawing



Flow rate diagram



**Advertisement**

- \* KLUDI RAK LLC item no. RAK12003
- \*\* chrome plated brass, in accord. to ..EN 50930-6
- \*\*\* in accordance to .. EN 817
- \*\*\*\* ceramic cartridge with hot water safety device  
 Ø 35 mm

bidet single lever mixer, manufacturer KLUDI RAK LLC item no. RAK12003, DN 10, chrome plated brass, ceramic cartridge with hot water safety device Ø 35 mm, solid lever, noise level DIN EN 4109 group I, type: single lever bidet mixer, flow level 6,0 l/min, aerator PCA M 24 X I, flexible high pressure supply tubes 3/8 inch with DVGW / KIWA / WRAS approv. with metal body length 350 mm, nozzle projection 110 mm, nozzle height 62 mm, lever projection 85 mm, rapid installation set, pop up waste G 1 1/4 inch, overall length 128 mm, for pressure type water heater, continuous line heater,

**KLUDI**  
**RAK**



Product: **PRIME Single-lever bidet mixer DN 15**

Ref.: **RAK12003-01**

**Product description**

solid lever  
 single hole mounted  
 flow level 6,0 l/min  
 ball-joint aerator M 24 x 1  
 ceramic cartridge with hot water safety device  
 pop up waste 1 1/4 inch  
 flexible high pressure supply tubes 1/2 inch  
 rapid installation set  
 in accordance to ..EN 817  
**Pressure Compensating Aerator 6,0 l/min**

Finishes:  
 05 chrome plated

**Advertisement**

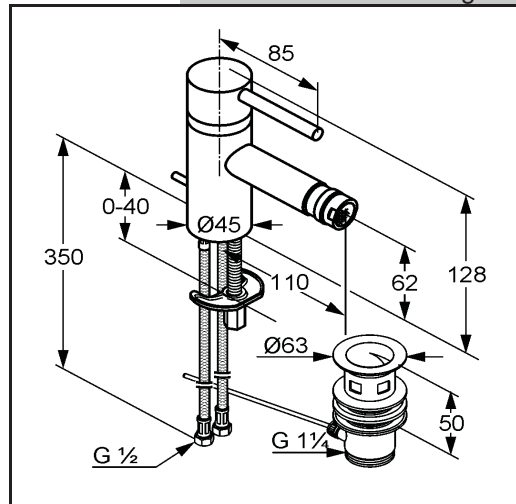
- \* KLUDI RAK LLC item no. RAK12003-01
- \*\* chrome plated brass, in accord. to ..EN 50930-6
- \*\*\* in accordance to .. EN 817
- \*\*\*\* ceramic cartridge with hot water safety device  
 Ø 35 mm

bidet single lever mixer, manufacturer KLUDI RAK LLC item no. RAK12003-01, DN 15, chrome plated brass, ceramic cartridge with hot water safety device Ø 35 mm, solid lever, noise level DIN EN 4109 group I, type: single lever bidet mixer DN 15, flow level 6,0 l/min, aerator PCA M 24 X I, flexible high pressure supply tubes 1/2 inch with DVGW / KIWA / WRAS approv. with metal body length 350 mm, nozzle projection 110 mm, nozzle height 62 mm, lever projection 85 mm, rapid installation set, pop up waste G 1 1/4 inch, overall length 128 mm, for pressure type water heater, continuous line heater,

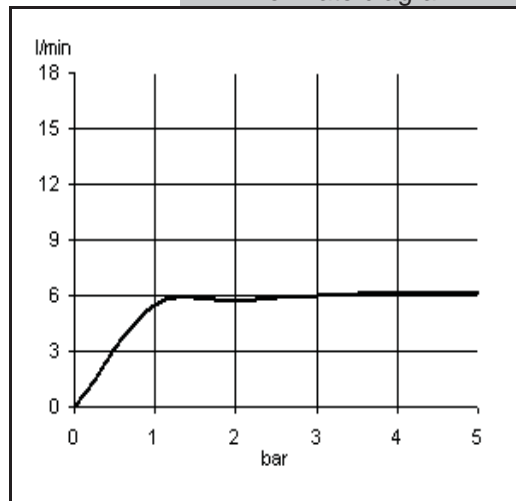
Product picture



Dimensional drawing



Flow rate diagram



**KLUDI**  
**RAK**

Product: **PRIME Single-lever bath and shower mixer DN 15**  
 Ref.: **RAK12004**

**Product description**

solid lever  
 wall fastening  
 flow class CB  
 aerator M 24 x I  
 automatic diverter: shower to bath tub  
 ceramic cartridge with hot water safety device  
 protected against back flow  
 shower outlet 1/2 inch, S- unions 1/2 x 3/4 inch  
 with 1 S Hand-held shower  
 with shower hose 1/2 x 1/2 inch x 1500 mm  
 with Wall-mounted shower holder

Finishes:  
 05 chrome plated

**Advertisement**

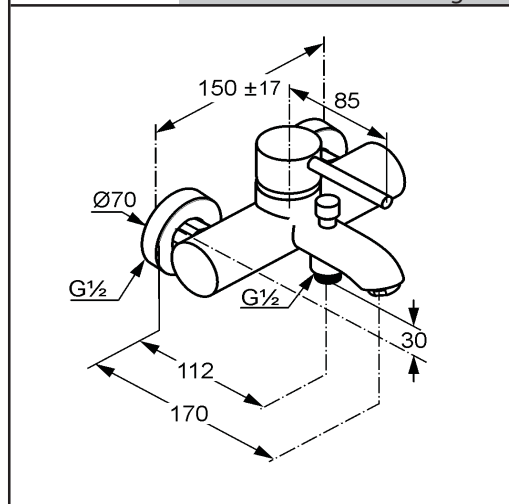
- \* KLUDI RAK LLC item no. RAK12004
- \*\* chrome plated brass, in accord. to ..EN 50930-6
- \*\*\* in accordance to .. EN 817
- \*\*\*\* ceramic cartridge with hot water safety device  
 Ø 35 mm

single lever bath- and shower mixer, manufacturer KLUDI RAK LLC item no. RAK12004, DN 15, chrome plated brass, ceramic cartridge with hot water safety device Ø 35 mm, solid lever, noise level DIN EN 4109 group I, type: single lever bath and shower mixer DN 15, aerator M 24 x I, flow class CB, projection shower outlet 112 mm, lever projection 85 mm, projection bath outlet 170 mm, protected against back flow ..EN1717, shower outlet 1/2 inch, S- unions 1/2 x 3/4 inch with noise reducer, automatic diverter shower to bath tub, with Logoflex shower hose 1/2 x 1/2 inch x 1500 mm, with fixed Wall-mounted shower holder with screws and dowels, with 1 S Hand-held shower 1/2 inch with rain shower, for pressure type water heater, continuous line heater,

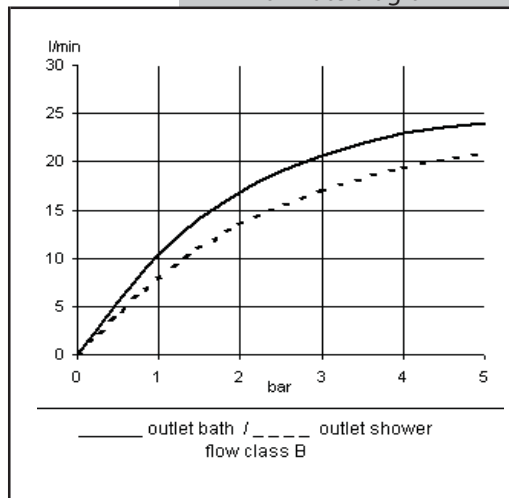
**Product picture**



**Dimensional drawing**



**Flow rate diagram**



**KLUDI**  
**RAK**

Product: **PRIME Concealed single-lever bath and shower mixer**

Ref.: **RAK12005**

**Product description**

concealed bath/  
shower mixer  
concealed trim set  
solid lever  
automatic diverter: shower to bath tub  
for pre installation set RAK12006  
in accordance to ..EN 817

Finishes:  
05 chrome plated

**Advertisement**

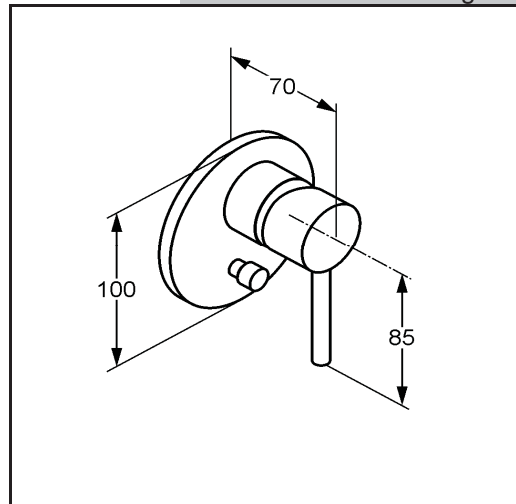
- \* KLUDI RAK LLC item no. RAK12005
- \*\* chrome plated brass, in accord. to ..EN 50930-6
- \*\*\* in accordance to .. EN 817

concealed trim set, manufacturer KLUDI RAK LLC item no. RAK12005, type: concealed bath / shower mixer trim set for pre installation set RAK12006, solid lever, wall flange metal chrome plated, with automatic diverter: shower to bath tub, lever projection 85 mm, diameter wall flange 100 mm, protection against back flow look at pre installation set RAK12006, without extension set, for installation depth 65 - 85 mm RAK12006,

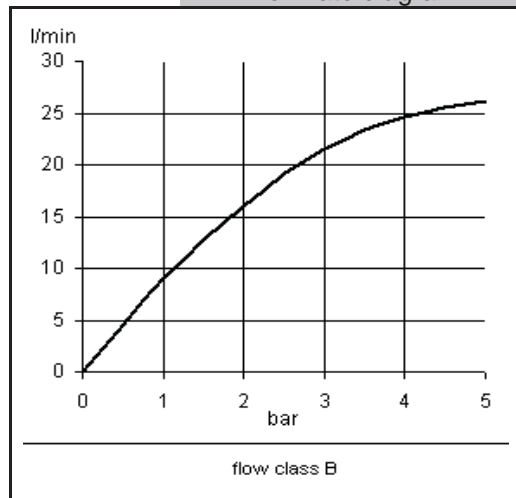
Product picture



Dimensional drawing



Flow rate diagram



**KLUDI**  
**RAK**

Product: **PRIME Concealed mixer, pre-installation kit DN 15**  
 Ref.: **RAK12006**

**Product description**

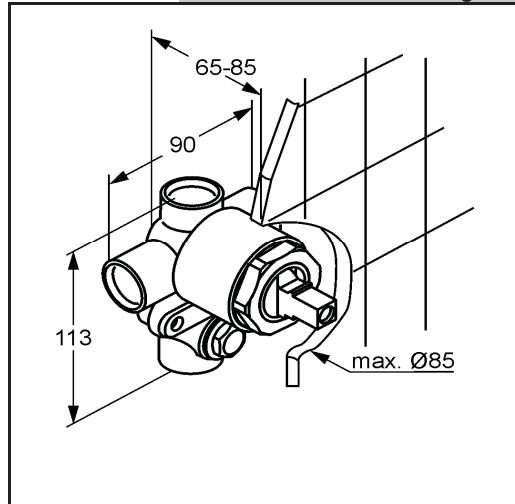
pre-installation set  
 without trim set RAK12005  
 in-wall installation  
 flow class BB  
 ceramic cartridge with hot water safety device  
 PA- IX 8281 / IBB  
 in accordance to ..EN 817

Finishes:

**Product picture**



**Dimensional drawing**

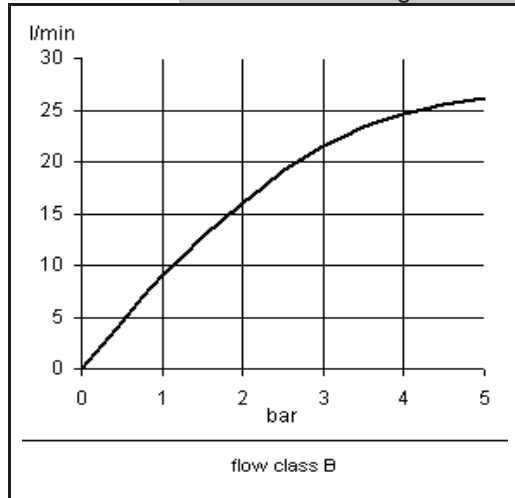


**Advertisement**

- \* KLUDI RAK LLC item no. RAK12006
- \*\* chrome plated brass, in accord. to ..EN 50930-6
- \*\*\* in accordance to .. EN 817
- \*\*\*\* ceramic cartridge with hot water safety device  
 Ø 35 mm

concealed bath/shower mixer DN 15, manufacturer KLUDI RAK LLC item no. RAK12006, DN 15, brass in accord. to .. EN 50930-6, ceramic cartridge with hot water safety device Ø 35 mm, type: concealed bath/shower mixer pre-installation set DN 15, flow class BB (max. 0,42 l/s), noise level DIN EN 4109 group I, PA- IX 8281 / IBB, for use with automatic diverter: shower to bath tub, installation depth 65 to 85 mm, without trim set item no. RAK12005, connection 1/2 inch, for pressure type water heater, continuous line heater,

**Flow rate diagram**



**KLUDI**  
**RAK**

Product: **PRIME Wall-mounted bath spout DN 20**

Ref.: **RAK12007**

**Product description**

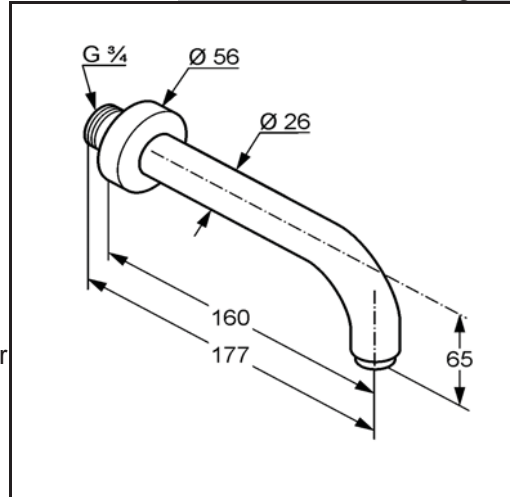
wall spout 3/4 inch  
 projection 160 mm  
 wall fastening  
 cascade aerator M 24 x I  
 flow class C  
 with sliding cover plate  
 in accordance to ..EN 200

Finishes:  
 05 chrome plated

**Product picture**



**Dimensional drawing**

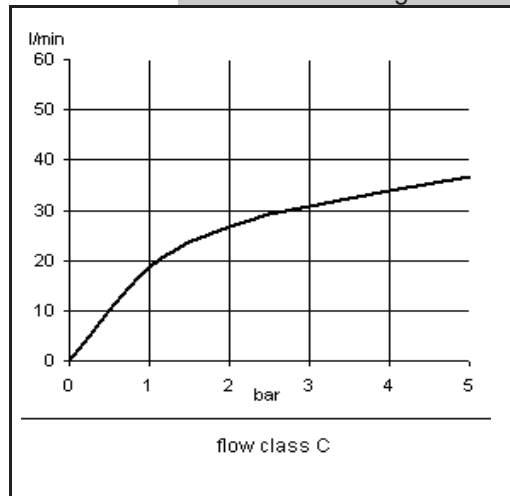


**Advertisement**

- \* KLUDI RAK LLC item no. RAK12007
- \*\* chrome plated brass, in accord. to ..EN 50930-6
- \*\*\* in accordance to .. EN 200

wall mounted bath spout, manufacturer KLUDI RAK LLC  
 item no. RAK12007, type: wall spout DN 20, cascade aerator  
 M 24 x I B, sliding cover plate, nozzle projection 160 mm,  
 chrome plated brass, diameter cover plate 56 mm, wall  
 spout with outside connection 3/4 inch,

**Flow rate diagram**



**KLUDI**  
**RAK**

Product: **PRIME Single-lever shower mixer DN 15**

Ref.: **RAK12008**

**Product description**

solid lever  
 wall fastening  
 flow class B  
 ceramic cartridge with hot water safety device  
 protected against back flow  
 shower outlet 1/2 inch  
 S- unions 1/2 x 3/4 inch  
 with 1 S Hand-held shower  
 with shower hose 1/2 x 1/2 inch x 1500 mm  
 with Wall-mounted shower holder

Finishes:  
 05 chrome plated

**Advertisement**

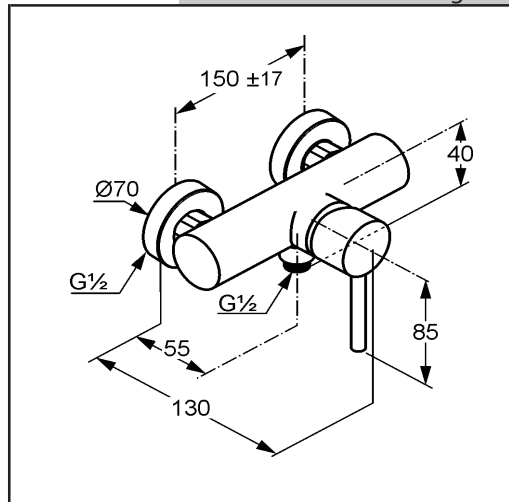
- \* KLUDI RAK LLC item no. RAK12008
- \*\* chrome plated brass, in accord. to ..EN 50930-6
- \*\*\* in accordance to .. EN 817
- \*\*\*\* ceramic cartridge with hot water safety device  
 Ø 35 mm

single lever shower mixer, manufacturer KLUDI RAK LLC item no. RAK12008, DN 15, chrome plated brass, ceramic cartridge with hot water safety device Ø 35 mm, solid lever, noise level DIN EN 4109 group I, type: single lever shower mixer, flow level 18,0 l/min, flow class B, projection shower outlet 55 mm, lever projection 85 mm, projection 130 mm, protected against back flow in accord. to.. EN1717, shower outlet 1/2 inch, S- unions 1/2 x 3/4 inch with noise reducer, with Logoflex shower hose 1/2 x 1/2 inch x 1500 mm, with fixed Wall-mounted shower holder with screws and dowels, with 1 S Hand-held shower 1/2 inch with rain shower, for pressure type water heater, continuous line heater,

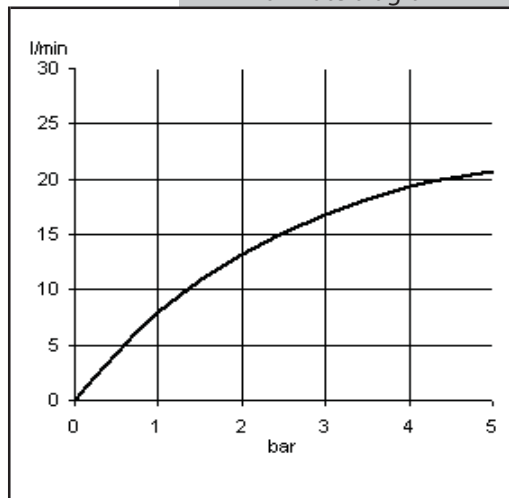
Product picture



Dimensional drawing



Flow rate diagram



**KLUDI**  
**RAK**



Product: **PRIME Concealed single-lever shower mixer**

Ref.: **RAK12009**

**Product description**

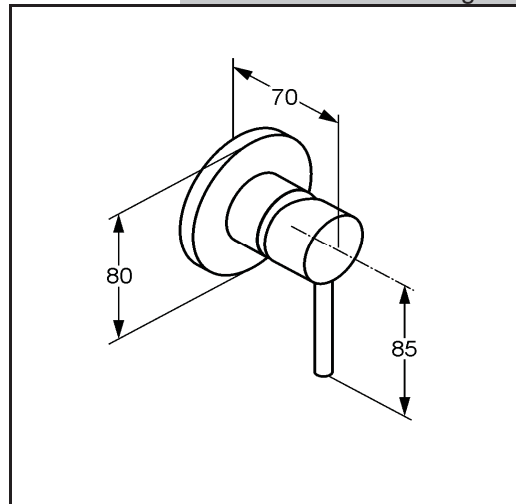
concealed shower mixer  
concealed trim set  
solid lever  
for pre installation set RAK12010

Finishes:  
05 chrome plated

**Product picture**



**Dimensional drawing**

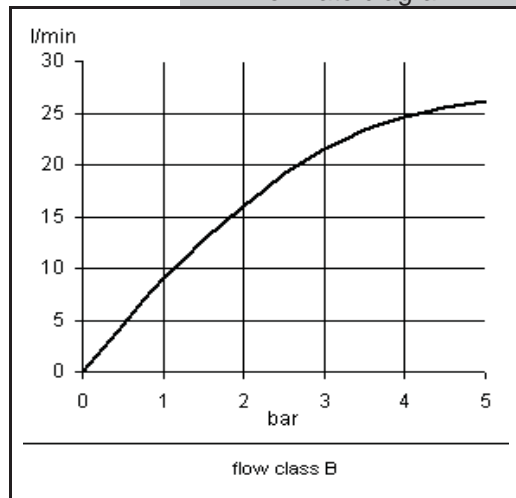


**Advertisement**

- \* KLUDI RAK LLC item no. RAK12009
- \*\* chrome plated brass, in accord. to ..EN 50930-6
- \*\*\* in accordance to .. EN 817

concealed trim set, manufacturer KLUDI RAK LLC item no. RAK12009, type: concealed shower mixer trim set for pre installation set RAK12010, solid lever, wall flange metal chrome plated, lever projection 85 mm, diameter wall flange 80 mm, protection against back flow look at pre installation set RAK12010, without extension set, for installation depth 60 - 85 mm (RAK12010),

**Flow rate diagram**



**KLUDI**  
**RAK**

Product: **PRIME Concealed mixer, pre-installation kit DN 15**  
 Ref.: **RAK12010**

**Product description**

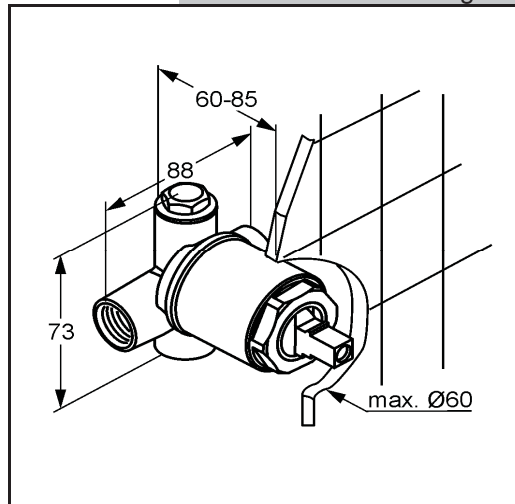
pre-installation set  
 without trim set RAK12009  
 in-wall installation  
 flow class B  
 ceramic cartridge with hot water safety device  
 PA- IX 8282 / IB  
 in accordance to ..EN 817

Finishes:

**Product picture**



**Dimensional drawing**

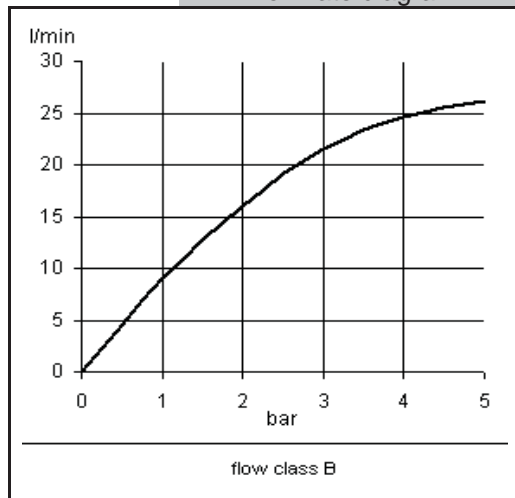


**Advertisement**

- \* KLUDI RAK LLC item no. RAK12010
- \*\* chrome plated brass, in accord. to ..EN 50930-6
- \*\*\* in accordance to .. EN 817
- \*\*\*\* ceramic cartridge with hot water safety device  
 Ø 35 mm

concealed shower mixer DN 15, manufacturer KLUDI RAK LLC item no. RAK12010, DN 15, brass, ceramic cartridge with hot water safety device Ø 35 mm, type: concealed shower mixer pre- installation set DN 15, flow class B (max. 0,42 l/s), noise level DIN EN 4109 group I, PA- IX 8282 / I B, installation depth 60 to 85 mm, without trim set RAK12009, connection 1/2 inch, for pressure type water heater, continuous line heater,

**Flow rate diagram**



**KLUDI**  
**RAK**

Product: **PRIME 2 - hole sink mixer DN 10, swivel spout**  
 Ref.: **RAK12011**

**Product description**

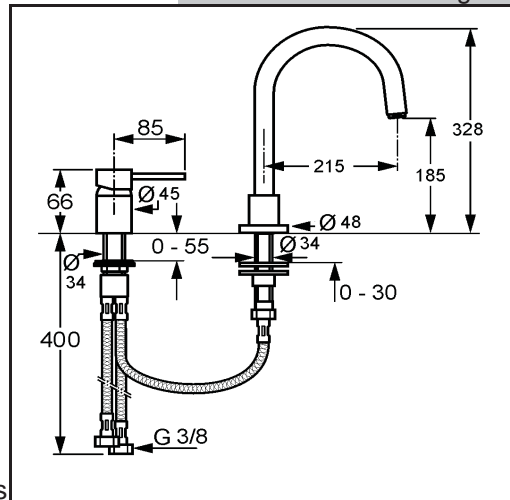
solid lever  
 2 - hole mounted  
 flow level 12,0 l/min  
 Cache aerator M 21,5 x l  
 ceramic cartridge with hot water safety device  
 flexible high pressure supply tubes 3/8 inch  
 swivel spout  
 rapid installation set  
 in accordance to ..EN 817

Finishes:  
 05 chrome plated

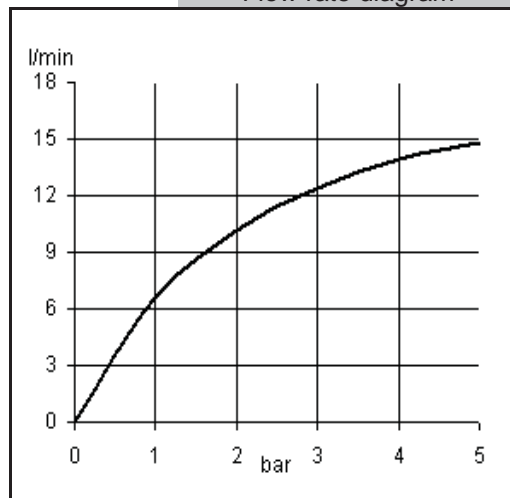
**Product picture**



**Dimensional drawing**



**Flow rate diagram**



**Advertisement**

- \* KLUDI RAK LLC item no. RAK12011
- \*\* chrome plated brass, in accord. to ..EN 50930-6
- \*\*\* in accordance to .. EN 817
- \*\*\*\* ceramic cartridge with hot water safety device  
 Ø 35 mm

2 - hole single lever sink mixer DN 10, manufacturer KLUDI RAK LLC item no. RAK12011, DN 10, chrome plated brass, type: 2 - hole sink mixer, swivel lever, lever projection 85 mm, Cache aerator M 21,5 x l, noise level DIN EN 4109 group I, flow rate 12,0 l/min, nozzle projection 215 mm, rapid installation set, flexible high pressure supply tubes 3/8 inch with DVGW / KIWA / WRAS approv. with metal body length 400 mm, nozzle height 185 mm, ceramic cartridge with hot water safety device Ø 35 mm, overall length 328 mm, for pressure type water heater, for continuous line heater,

**KLUDI**  
**RAK**

**Product:** PRIME Single-lever sink mixer DN 10,  
swivel spout  
**Ref.:** RAK12012

**Product description**

solid lever  
single hole mounted  
flow level 12,0 l/min  
PCA Cache aerator M 16,5 x l  
ceramic cartridge with hot water safety device  
flexible high pressure supply tubes 3/8 inch  
swivel spout  
rapid installation set  
in accordance to ..EN 817

Finishes:  
05 chrome plated

**Advertisement**

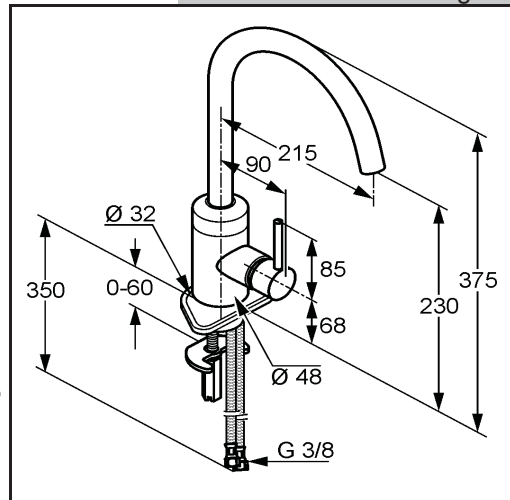
- \* KLUDI RAK LLC item no. RAK12012
- \*\* chrome plated brass, in accord. to ..EN 50930-6
- \*\*\* in accordance to .. EN 817
- \*\*\*\* ceramic cartridge with hot water safety device  
Ø 35 mm

single lever sink mixer, manufacturer KLUDI RAK LLC item no. RAK12012, DN 10, chrome plated brass, type: single lever sink mixer, swivel spout, solid lever, lever projection 85 mm, Cache aerator M 16,5 x l, noise level DIN EN 4109 group I, flow rate 12 l/min, nozzle projection 215 mm, rapid installation set, flexible high pressure supply tubes 3/8 inch with DVGW / KIWA / WRAS approv. with metal body length 350 mm, nozzle height 230 mm, ceramic cartridge with hot water safety device Ø 35 mm, overall length 375 mm, for borehole diameter 32 mm, for pressure type water heater, for continuous line heater,

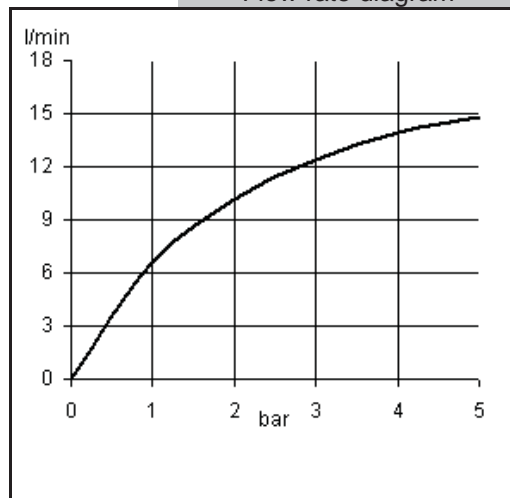
Product picture



Dimensional drawing



Flow rate diagram



**KLUDI**  
**RAK**

Product picture



Product: **Shower arm 400 mm DN 15**

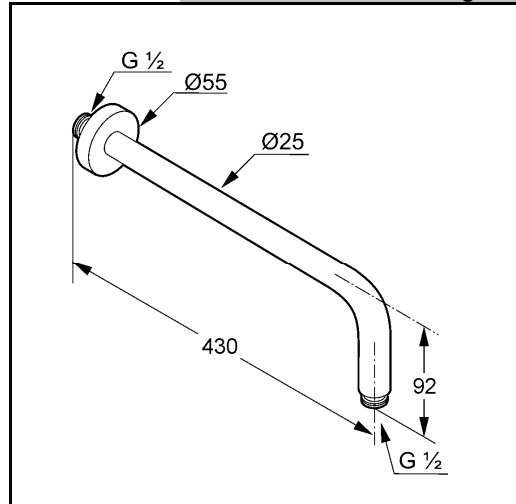
Ref.: **RAK12013**

Product description

shower arm DN 15  
 projection 400 mm  
 with sliding cover plate  
 male thread 1/2 inch  
 without overhead shower RAK11012/RAK12014

Finishes:  
 chrome plated

Dimensional drawing



Advertisement

- \* KLUDI RAK LLC shower arm item no. RAK12013
- \*\* chrome plated brass, DIN 50930-6
- \*\*\* ajar to DIN EN 200

Flow rate diagram

shower arm, manufacturer KLUDI RAK LLC shower arm item no. RAK12013, DN 15,  
 chrome plated brass, rigid shower arm for overhead showers with ball joint, diameter  
 rosette Ø 55 mm, projection 400 mm, male thread connection 1/2 inch,

Product: **PROJECT Single-lever basin mixer DN 10**

Ref.: **RAK11000**

**Product description**

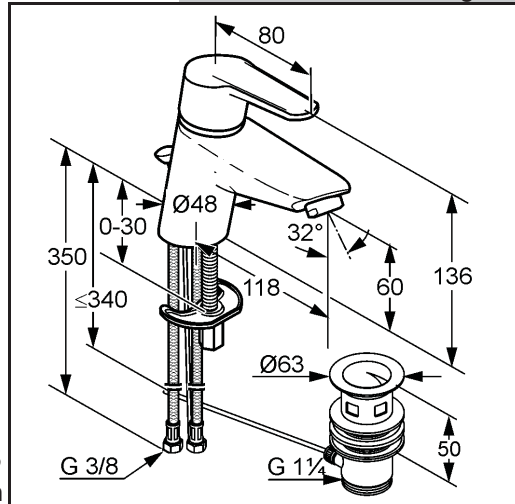
solid lever  
 single hole mounted  
 flow class A  
 aerator M 24 x I  
 ceramic cartridge with hot water safety device  
 pop up waste 1 1/4 inch  
 flexible high pressure supply tubes 3/8 inch  
 rapid installation set  
 in accordance to ..EN 817  
 P-IX 6709/IA

Finishes:  
 05 chrome plated

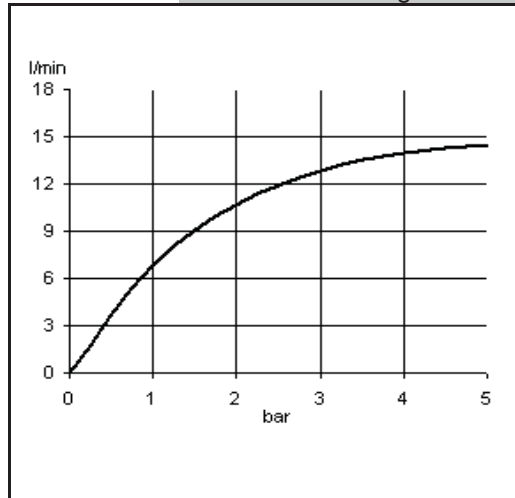
Product picture



Dimensional drawing



Flow rate diagram



**Advertisement**

- \* KLUDI RAK LLC item no. RAK11000
- \*\* chrome plated brass, in accord. to ..EN 50930-6
- \*\*\* in accordance to .. EN 817
- \*\*\*\* ceramic cartridge with hot water safety device  
 Ø 35 mm

single-lever basin mixer, manufacturer KLUDI RAK LLC item no. RAK11000, DN 10, chrome plated brass, ceramic cartridge with hot water safety device Ø 35 mm, solid lever, noise level DIN EN 4109 group I, report no. P- IX 6709/IA, type: single-lever basin mixer DN 10, flow class A (max. 0,25 l/s), pop up waste 1 1/4 inch, aerator M 24 X I A, flexible high pressure supply tubes 3/8 inch with DVGW / KIWA / WRAS approv. with metal body length 350 mm, nozzle projection 118 mm, nozzle height 60 mm, lever projection 80 mm, rapid installation set, overall length 136 mm, for pressure type water heater, continuous line heater,

**KLUDI**  
**RAK**



Product: **PROJECT Single-lever basin mixer DN 15**

Ref.: **RAK11000-01**

**Product description**

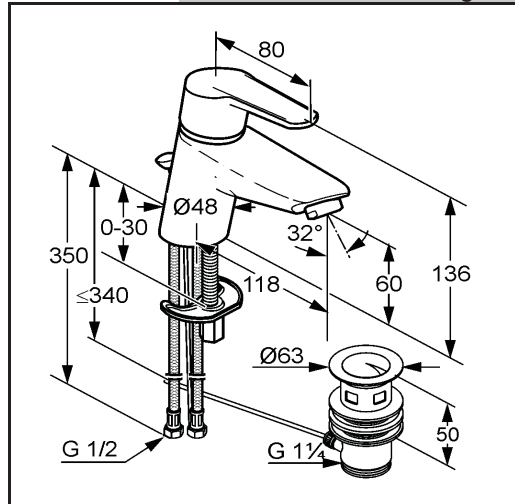
solid lever  
 single hole mounted  
 flow level 6,0 l/min  
 PCA aerator M 24 x I  
 ceramic cartridge with hot water safety device  
 pop up waste 1 1/4 inch  
 flexible high pressure supply tubes 1/2 inch  
 rapid installation set  
 in accordance to ..EN 817  
**Pressure Compensating Aerator 6,0 l/min**

Finishes:  
 05 chrome plated

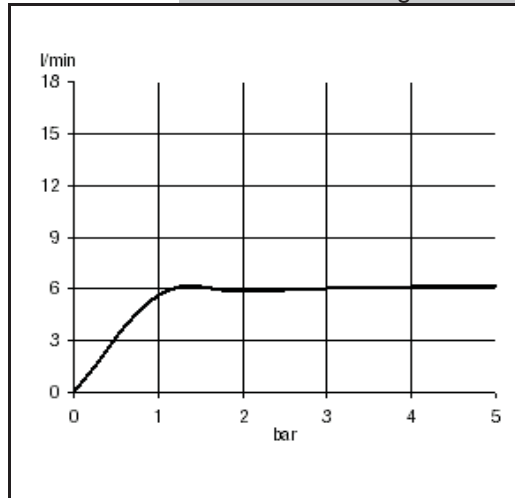
Product picture



Dimensional drawing



Flow rate diagram



**Advertisement**

- \* KLUDI RAK LLC item no. RAK11000-01
- \*\* chrome plated brass, in accord. to ..EN 50930-6
- \*\*\* in accordance to .. EN 817
- \*\*\*\* ceramic cartridge with hot water safety device  
 Ø 35 mm

single-lever basin mixer, manufacturer KLUDI RAK LLC item no. RAK11000-01, DN 15, chrome plated brass, ceramic cartridge with hot water safety device Ø 35 mm, solid lever, noise level DIN EN 4109 group I, report no. P- IX ..., type: single-lever basin mixer DN 15, flow level 6,0 l/min, pop up waste 1 1/4 inch, PCA aerator M 24 X I, flexible high pressure supply tubes 1/2 inch with DVGW / KIWA / WRAS approv. with metal body length 350 mm, nozzle projection 118 mm, nozzle height 60 mm, lever projection 80 mm, rapid installation set, overall length 136 mm, for pressure type water heater, continuous line heater,

**KLUDI**  
**RAK**

Product: **PROJECT Single-lever bidet mixer DN 10**

Ref.: **RAK11001**

**Product description**

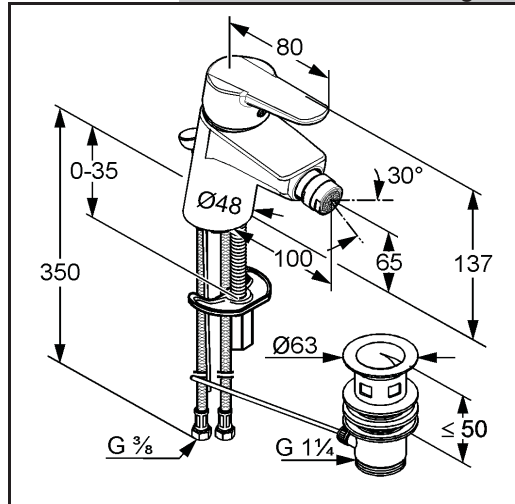
solid lever  
 single hole mounted  
 flow class A  
 ball joint aerator M 24 x I  
 ceramic cartridge with hot water safety device  
 pop up waste 1 1/4 inch  
 flexible high pressure supply tubes 3/8 inch  
 rapid installation set  
 in accordance to ..EN 817

Finishes:  
 05 chrome plated

Product picture



Dimensional drawing

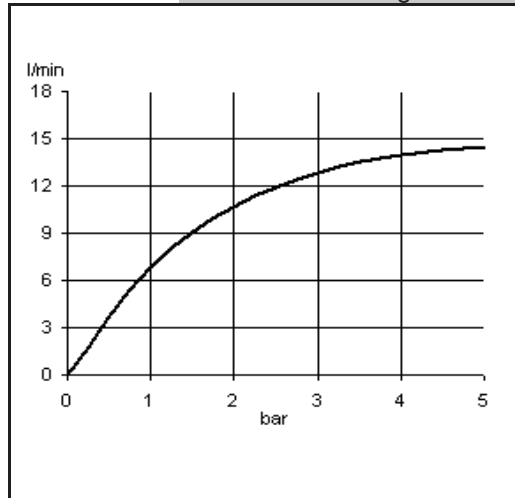


**Advertisement**

- \* KLUDI RAK LLC item no. RAK11001
- \*\* chrome plated brass, in accord. to ..EN 50930-6
- \*\*\* in accordance to .. EN 817
- \*\*\*\* ceramic cartridge with hot water safety device  
 Ø 35 mm

single-lever bidet mixer, manufacturer KLUDI RAK LLC item no. RAK11001, DN 10, chrome plated brass, ceramic cartridge with hot water safety device Ø 35 mm, solid lever, noise level DIN EN 4109 group I, without report no., type: single-lever bidet mixer DN 10, flow class A (max. 0,25 l/s), ball joint aerator M 24 X I A, flexible high pressure supply tubes 3/8 inch with DVGW / KIWA / WRAS approv. with metal body length 350 mm, nozzle projection 110 mm, nozzle height 55 mm, lever projection 80 mm, rapid installation set, overall length 118 mm, for pressure type water heater, continuous line heater,

Flow rate diagram



**KLUDI**  
**RAK**

Product: **PROJECT Single-lever bidet mixer DN 15**

Ref.: **RAK11001-01**

**Product description**

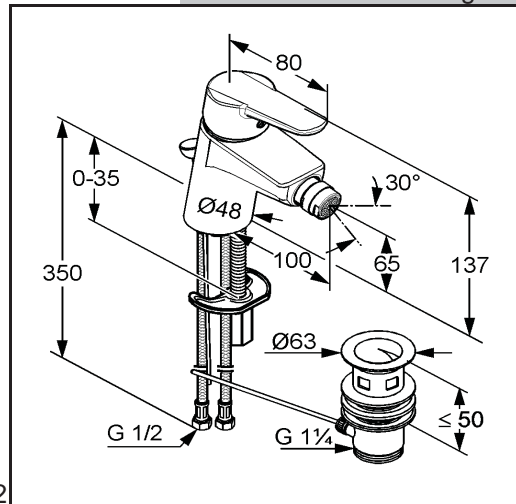
solid lever  
 single hole mounted  
 flow level 6,0 l/min  
 ball joint aerator PCA M 24 x I  
 ceramic cartridge with hot water safety device  
 pop up waste 1 1/4 inch  
 flexible high pressure supply tubes 1/2 inch  
 rapid installation set  
 in accordance to ..EN 817  
**Pressure Compensating Aerator 6,0 l/min**

Finishes:  
 05 chrome plated

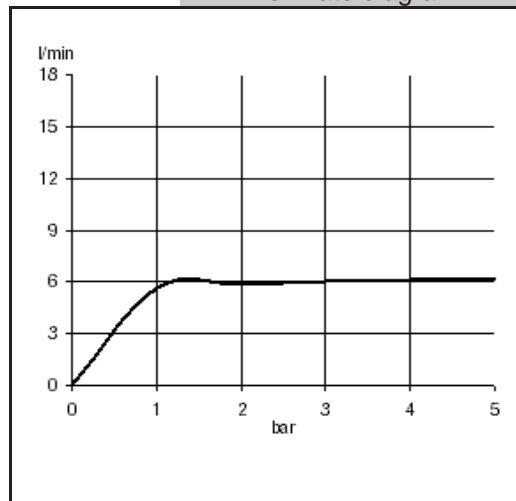
Product picture



Dimensional drawing



Flow rate diagram



**Advertisement**

- \* KLUDI RAK LLC item no. RAK11001-01
- \*\* chrome plated brass, in accord. to ..EN 50930-6
- \*\*\* in accordance to .. EN 817
- \*\*\*\* ceramic cartridge with hot water safety device  
 Ø 35 mm

single-lever bidet mixer, manufacturer KLUDI RAK LLC item no. RAK11001-01, DN 15, chrome plated brass, ceramic cartridge with hot water safety device Ø 35 mm, solid lever, noise level DIN EN 4109 group I, without report no., type: single-lever bidet mixer DN 15, flow level 6,0 l/min, ball joint aerator PCA M 24 X I, flexible high pressure supply tubes 1/2 inch with DVGW / KIWA / WRAS approv. with metal body length 350 mm, nozzle projection 110 mm, nozzle height 55 mm, lever projection 80 mm, rapid installation set, overall length 118 mm, for pressure type water heater, continuous line heater,

**KLUDI**  
**RAK**

Product: **PROJECT Single-lever  
bath and shower Mixer DN 15**

Ref.: **RAK11002**

**Product description**

solid lever  
wall fastening  
flow class CB  
aerator M 24 x I, noise approval PA- IX 6712 / ICB  
ceramic cartridge with hot water safety device  
protected against back flow  
automatic diverter: shower to bath tub  
S-unions 1/2 x 3/4 inch  
with 1 S Hand-held shower  
with shower hose 1/2 x 1/2 inch x 1500 mm  
with Wall-mounted shower holder

Finishes:  
05 chrome plated

**Advertisement**

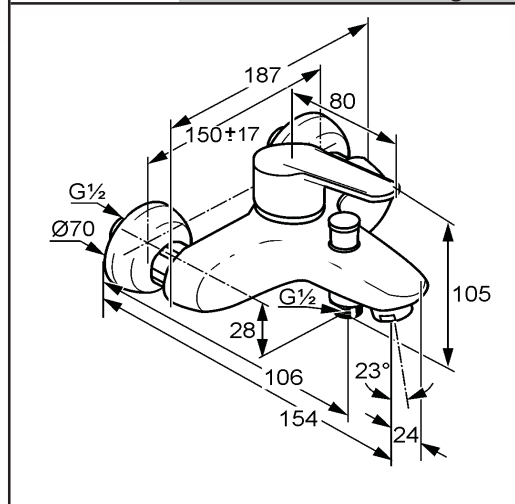
- \* KLUDI RAK LLC item no. RAK11002
- \*\* chrome plated brass, in accord. to ..EN 50930-6
- \*\*\* in accordance to .. EN 817
- \*\*\*\* ceramic cartridge with hot water safety device  
Ø 35 mm

single-lever bath- and shower mixer, wall fastening, manufacturer KLUDI RAK LLC item no. RAK11002, DN 15, chrome plated brass, solid lever, ceramic cartridge with hot water safety device Ø 35 mm, noise level DIN EN 4109 group I, report no. PA- IX 6712 / ICB, type: single lever bath- and shower mixer, with automatic diverter: shower to bath tub, protected against back flow ..EN1717, wall fastening, bath tube filler with areator M 24 x I, flow class C B (max. 0,42 l/s), shower connection 1/2 inch, lever projection 80 mm, nozzle projection 154/178 mm, S-unions 1/2 x 3/4 inch, with Logoflex shower hose 1/2 x 1/2 inch x 1500 mm, with fixed Wall-mounted shower holder with screws and dowels, with 1 S Hand-held shower 1/2 inch with rain shower, for pressure type water heater, continuous line heater,

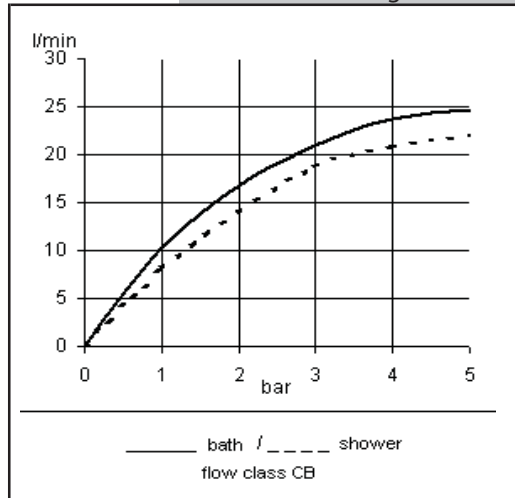
**Product picture**



**Dimensional drawing**



**Flow rate diagram**



**KLUDI**  
**RAK**

**Product:** PROJECT Concealed single-lever bath and shower mixer

**Ref.:** RAK11003

**Product description**

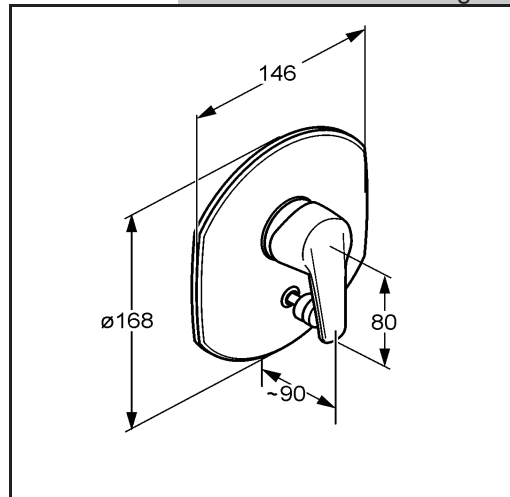
concealed trim set  
 solid lever  
 automatic diverter: shower to bath tub  
 for concealed mixer: RAK 11004

Finishes:  
 05 chrome plated

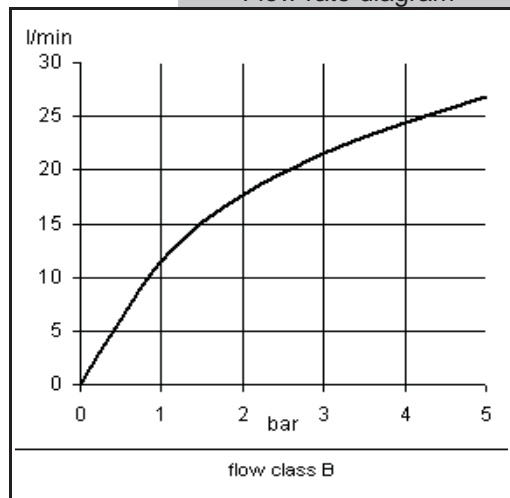
Product picture



Dimensional drawing



Flow rate diagram



**Advertisement**

- \* KLUDI RAK LLC item no. RAK11003
- \*\* chrome plated brass / plastic
- \*\*\* in accordance to .. EN 817

concealed trim set, manufacturer KLUDI RAK LLC item no. RAK11003, type: concealed bath / shower mixer trim set for pre installation set RAK11004, solid lever, wall flange chrome plated plastic, with automatic diverter: shower to bath tub, lever projection 80 mm, diameter wall flange 168/146 mm, protection against back flow look at pre installation set RAK11004, without extension set,

**KLUDI**  
**RAK**

**Product:** PROJECT Concealed mixer, pre installation kit DN 15

**Ref.:** RAK11004

**Product description**

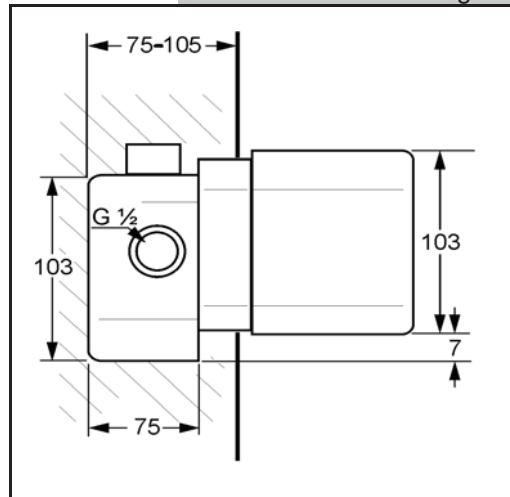
pre-installation set  
without trim set RAK11003  
in-wall installation  
flow class BB  
ceramic cartridge with hot water safety device  
P- IX 6711 / IBB  
in accordance to ..EN 817

Finishes:

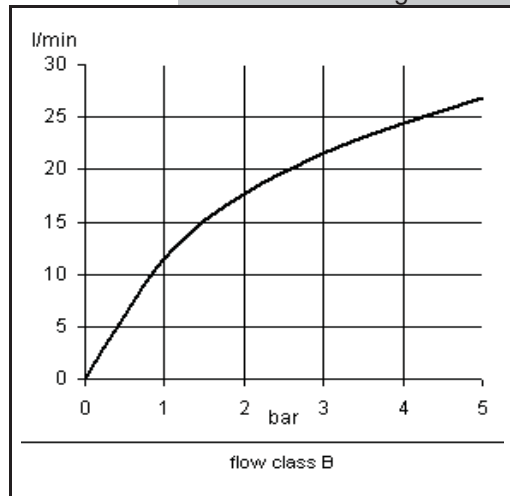
**Product picture**



**Dimensional drawing**



**Flow rate diagram**



**Advertisement**

- \* KLUDI RAK LLC item no. RAK11004
- \*\* brass, in accord. to ..EN 50930-6
- \*\*\* in accordance to .. EN 817
- \*\*\*\* ceramic cartridge with hot water safety device  
Ø 35 mm

concealed bath/shower mixer DN 15, manufacturer KLUDI RAK LLC item no. RAK11004, DN 15, brass in accord. to .. EN 50930-6, ceramic cartridge with hot water safety device Ø 35 mm, type: concealed bath/shower mixer pre-installation set DN 15, flow class BB (max. 0,42 l/s), noise level DIN EN 4109 group I, P- IX 6711 / IBB, for use with automatic diverter: shower to bath tub, installation depth 75 to 105 mm, without trim set item no. RAK11003, connection 1/2 inch, for pressure type water heater, continuous line heater,

**KLUDI**  
**RAK**



Product: **PROJECT Single-lever shower mixer DN 15**

Ref.: **RAK11005**

**Product description**

solid lever  
 wall fastening  
 flow class A, noise approval PA- IX 9569 / IA  
 ceramic cartridge with hot water safety device  
 protected against back flow  
 shower outlet 1/2 inch  
 S-unions 1/2 x 3/4 inch  
 with 1 S Hand-held shower  
 with shower hose 1/2 x 1/2 inch x 1500 mm  
 with Wall-mounted shower holder

Finishes:  
 05 chrome plated

**Advertisement**

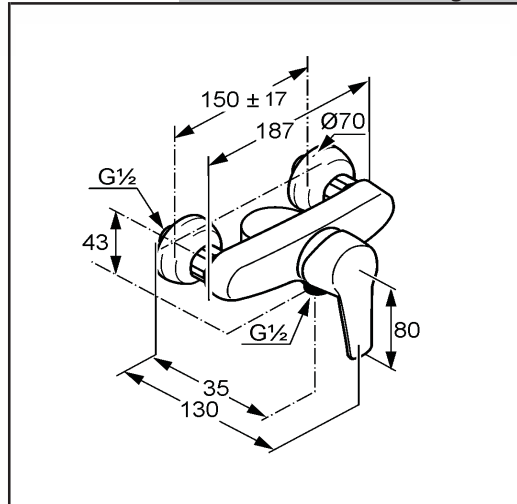
- \* KLUDI RAK LLC item no. RAK11005
- \*\* chrome plated brass, in accord. to ..EN 50930-6
- \*\*\* in accordance to .. EN 817
- \*\*\*\* ceramic cartridge with hot water safety device  
 Ø 35 mm

single-lever shower mixer, wall fastening, manufacturer KLUDI RAK LLC item no. RAK11005, DN 15, chrome plated brass, ceramic cartridge with hot water safety device Ø 35 mm, solid lever, noise level DIN EN 4109 group I, report no. PA- IX 9569 / IA, type: single lever shower mixer DN 15, protected against back flow ..EN1717, shower connection 1/2 inch, S unions 1/2 x 3/4 inch, lever projection 80 mm, flow class A (max. 0,29 l/s), projection shower connection 35 mm, projection 130 mm, shower connection 1/2 inch, with Logoflex shower hose 1/2 x 1/2 inch x 1500 mm, with fixed Wall-mounted shower holder with screws and dowels, with 1 S Hand-held shower 1/2 inch with rain shower, for pressure type water heater, continuous line heater,

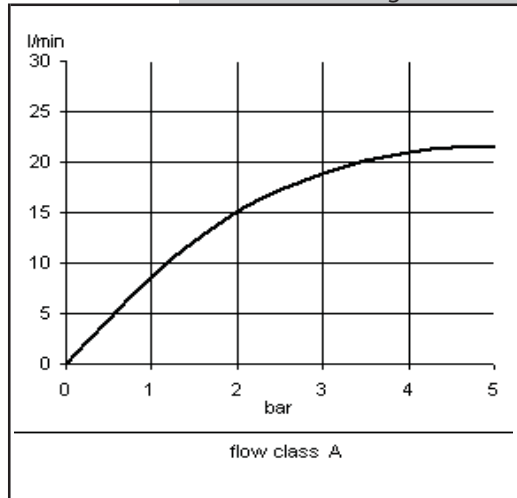
Product picture



Dimensional drawing



Flow rate diagram



**KLUDI**  
**RAK**

Product: **PROJECT Concealed single-lever shower mixer**

Ref.: **RAK11006**

**Product description**

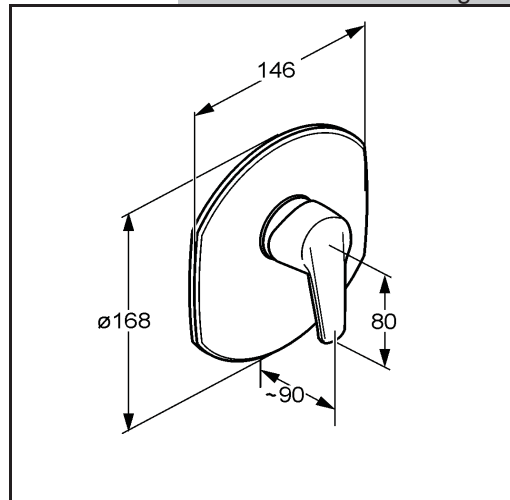
concealed trim set  
solid lever  
for concealed mixer: RAK11007

Finishes:  
05 chrome plated

Product picture



Dimensional drawing

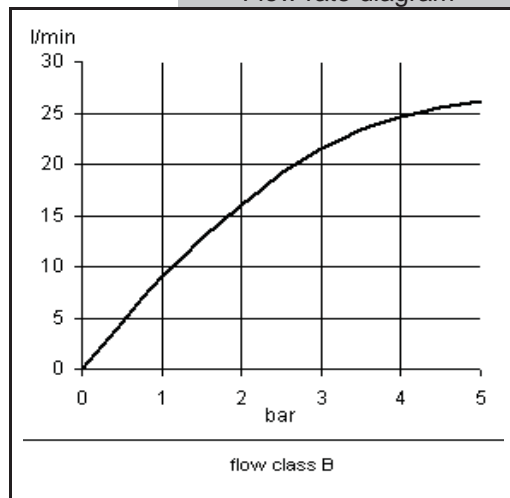


**Advertisement**

- \* KLUDI RAK LLC item no. RAK11006
- \*\* chrome plated brass / plastic
- \*\*\* in accordance to .. EN 817

concealed trim set, manufacturer KLUDI RAK LLC item no. RAK11006, type: concealed single lever shower mixer trim set for pre installation set RAK11006, solid lever, wall flange chrom plated plastic, lever projection 80 mm, diameter wall flange 168/146 mm, protection against back flow look at pre installation set RAK11007, without extension set,

Flow rate diagram



**KLUDI**  
**RAK**

Product: **PROJECT Concealed mixer, pre installation kit DN 15**

Ref.: **RAK11007**

**Product description**

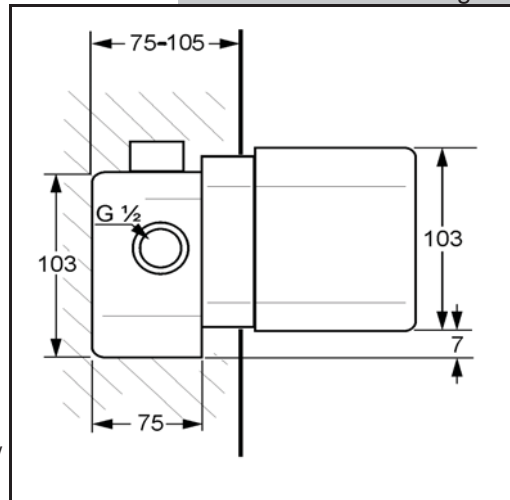
pre-installation set  
without trim set  
in-wall installation  
flow class B  
ceramic cartridge with hot water safety device  
P- IX 6711 / IBB  
in accordance to ..EN 817

Finishes:

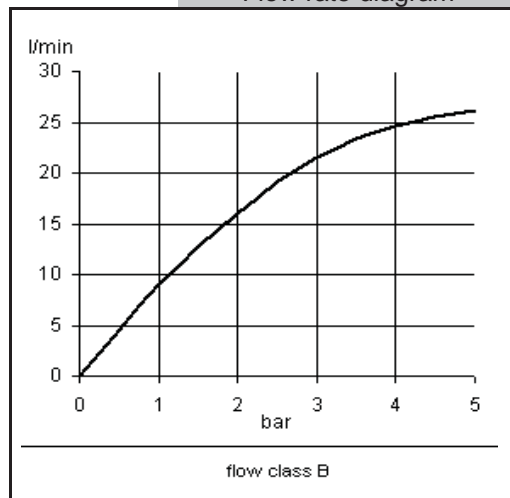
**Product picture**



**Dimensional drawing**



**Flow rate diagram**



**Advertisement**

- \* KLUDI RAK LLC item no. RAK11007
- \*\* brass, in accord. to ..EN 50930-6
- \*\*\* in accordance to .. EN 817
- \*\*\*\* ceramic cartridge with hot water safety device  
Ø 35 mm

concealed shower mixer DN 15, manufacturer KLUDI RAK LLC item no. RAK11007, DN 15, brass, ceramic cartridge with hot water safety device Ø 35 mm, type: concealed shower mixer pre- installation set DN 15, flow class BB (max. 0,42 l/s), noise level DIN EN 4109 group I, P- IX 6711/ I BB, installation depth 75 to 105 mm, without trim set, connection 1/2 inch, for pressure type water heater, continuous line heater,

**KLUDI**  
**RAK**

Product: **PROJECT Single-lever sink mixer DN 10**

Ref.: **RAK11008**

**Product description**

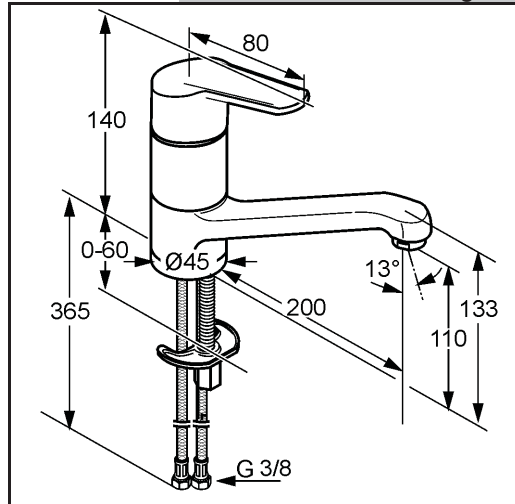
solid lever  
 single hole mounted  
 flow class A  
 aerator M 24 x I  
 ceramic cartridge with hot water safety device  
 swivel cast spout  
 flexible high pressure supply tubes 3/8 inch  
 rapid installation set  
 in accordance to ..EN 817

Finishes:  
 05 chrome plated

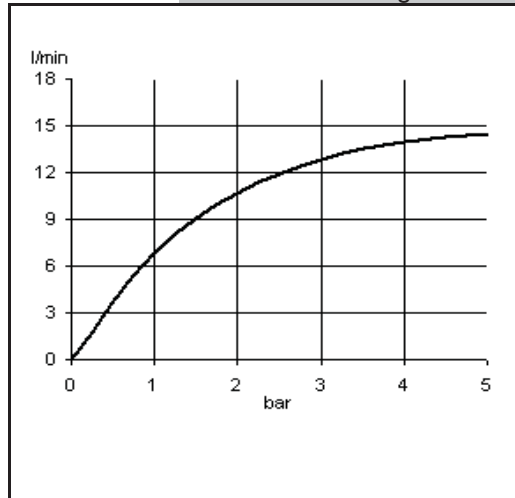
Product picture



Dimensional drawing



Flow rate diagram



**Advertisement**

- \* KLUDI RAK LLC item no. RAK11008
- \*\* chrome plated brass, in accord. to ..EN 50930-6
- \*\*\* in accordance to .. EN 817
- \*\*\*\* ceramic cartridge with hot water safety device  
 Ø 35 mm

single-lever sink mixer, manufacturer KLUDI RAK LLC item no. RAK11008, DN 10, chrome plated brass, type: single lever sink mixer, with swivel cast spout, solid lever, lever projection 80 mm, with areator M 24 x I, noise level DIN EN 4109 group I, report no. P- IX., flow class A (max. 0,25 l/s), nozzle projection 200 mm, rapid installation set, flexible high pressure supply tubes G 3/8 with DVGW / KIWA / WRAS approv. with metal body length 365 mm, ceramic cartridge with hot water safety device Ø 35 mm, overall length 133 mm, nozzle height 110 mm, for borehole diameter min. 32 mm, for pressure type water heater, continuous line heater,

**KLUDI**  
**RAK**

Product: **PROJECT Single-lever sink mixer DN 15**

Ref.: **RAK11008-01**

**Product description**

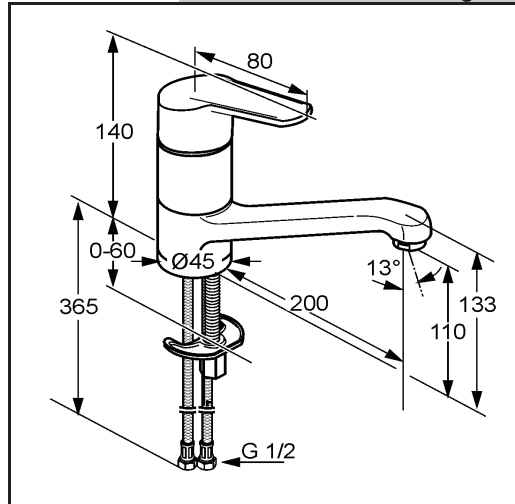
solid lever  
 single hole mounted  
 flow level 6,0 l/min  
 PCA aerator M 24 x I  
 ceramic cartridge with hot water safety device  
 swivel cast spout  
 flexible high pressure supply tubes 1/2 inch  
 rapid installation set  
 in accordance to ..EN 817  
**Pressure Compensating Aerator 6,0 l/min**

Finishes:  
 05 chrome plated

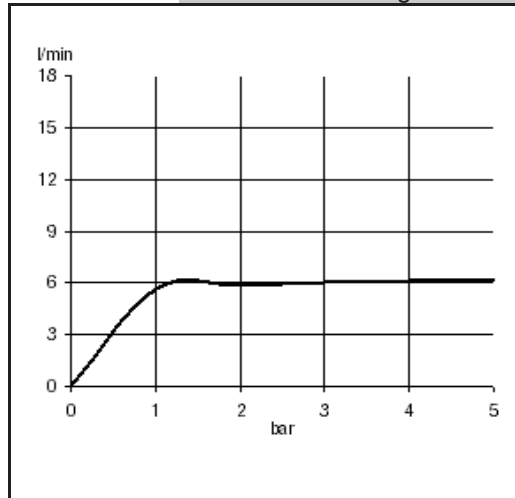
Product picture



Dimensional drawing



Flow rate diagram



**Advertisement**

- \* KLUDI RAK LLC item no. RAK11008-01
- \*\* chrome plated brass, in accord. to ..EN 50930-6
- \*\*\* in accordance to .. EN 817
- \*\*\*\* ceramic cartridge with hot water safety device  
 Ø 35 mm

single-lever sink mixer, manufacturer KLUDI RAK LLC item no. RAK11008-01, DN 15, chrome plated brass, type: single lever sink mixer DN 15, with swivel cast spout, solid lever, lever projection 80 mm, with PCA aerator M 24 x I, noise level DIN EN 4109 group I, report no. P- IX..., flow level 6,0 l/min, nozzle projection 200 mm, rapid installation set, flexible high pressure supply tubes 1/2 inch with DVGW / KIWA / WRAS approv. with metal body length 365 mm, ceramic cartridge with hot water safety device Ø 35 mm, overall length 133 mm, nozzle height 110 mm, for borehole diameter min. 32 mm, for pressure type water heater, continuous line heater,

**KLUDI**  
**RAK**

Product: **PROJECT Single-lever basin mixer DN 15**

Ref.: **RAK11000-01**

**Product description**

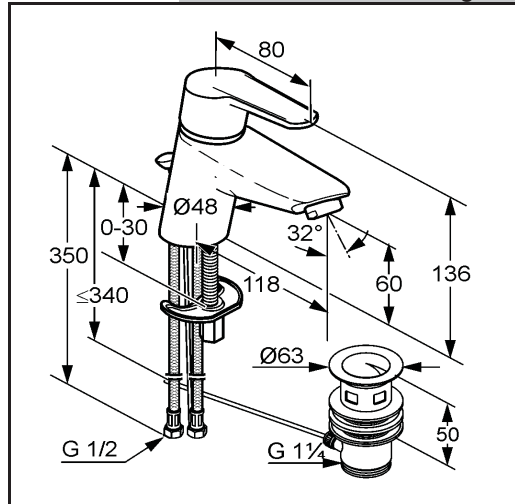
solid lever  
 single hole mounted  
 flow level 6,0 l/min  
 PCA aerator M 24 x I  
 ceramic cartridge with hot water safety device  
 pop up waste 1 1/4 inch  
 flexible high pressure supply tubes 1/2 inch  
 rapid installation set  
 in accordance to ..EN 817  
**Pressure Compensating Aerator 6,0 l/min**

Finishes:  
 05 chrome plated

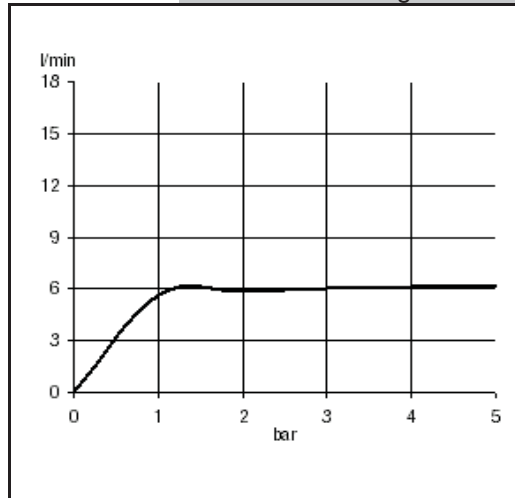
Product picture



Dimensional drawing



Flow rate diagram



**Advertisement**

- \* KLUDI RAK LLC item no. RAK11000-01
- \*\* chrome plated brass, in accord. to ..EN 50930-6
- \*\*\* in accordance to .. EN 817
- \*\*\*\* ceramic cartridge with hot water safety device  
 Ø 35 mm

single-lever basin mixer, manufacturer KLUDI RAK LLC item no. RAK11000-01, DN 15, chrome plated brass, ceramic cartridge with hot water safety device Ø 35 mm, solid lever, noise level DIN EN 4109 group I, report no. P- IX ..., type: single-lever basin mixer DN 15, flow level 6,0 l/min, pop up waste 1 1/4 inch, PCA aerator M 24 X I, flexible high pressure supply tubes 1/2 inch with DVGW / KIWA / WRAS approv. with metal body length 350 mm, nozzle projection 118 mm, nozzle height 60 mm, lever projection 80 mm, rapid installation set, overall length 136 mm, for pressure type water heater, continuous line heater,

**KLUDI**  
**RAK**



Product: **PROJECT wall mounted single lever sink mixer DN 15**

Ref.: **RAK11009**

**Product description**

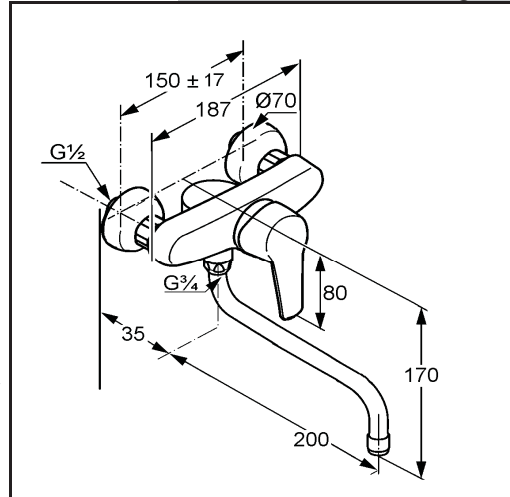
solid lever  
 wall fastening  
 flow class A  
 aerator M 22 x I  
 ceramic cartridge with hot water safety device  
 S-unions 1/2 x 3/4 inch  
 swivel spout 200 mm  
 in accordance to ..EN 817

Finishes:  
 chrome plated

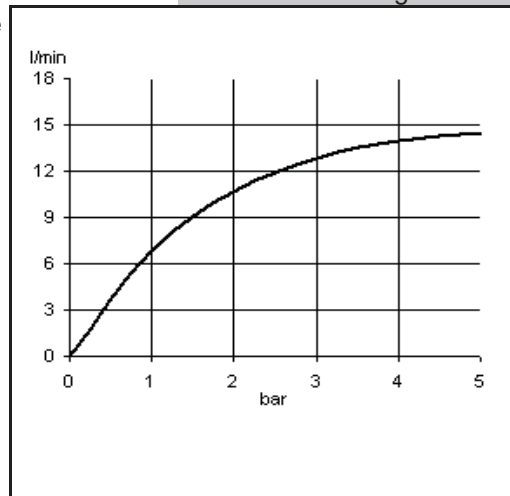
Product picture



Dimensional drawing



Flow rate diagram



**Advertisement**

- \* KLUDI RAK LLC item no. RAK11009
- \*\* chrome plated brass, in accord. to ..EN 50930-6
- \*\*\* in accordance to .. EN 817
- \*\*\*\* ceramic cartridge with hot water safety device  
 Ø 35 mm

wall mounted single-lever sink mixer, wall fastening, manufacturer KLUDI RAK LLC item no. RAK11009, DN 15, chrome plated brass, ceramic cartridge with hot water safety device Ø 35 mm, solid lever, noise level DIN EN 4109 group I, report no. PA- IX., type: wall mounted single lever sink mixer DN 15, S unions 1/2 x 3/4 inch, lever projection 80 mm, flow class A (max. 0,25 l/s), projection spout connection 35 mm, swivel spout / projection spout 235 mm, for pressure type water heater, continuous line heater, PN 10,

**KLUDI**  
**RAK**

Product: **PROJECT wall mounted single lever sink mixer DN 15**  
 Ref.: **RAK11009-01**

**Product description**

solid lever  
 wall fastening  
 flow level 6,0 l/min  
 PCA aerator M 22 x I  
 ceramic cartridge with hot water safety device  
 S-unions 1/2 x 3/4 inch  
 swivel spout 200 mm  
 in accordance to ..EN 817  
**Pressure Compensating Aerator 6,0 l/min**

Finishes:  
 chrome plated

**Advertisement**

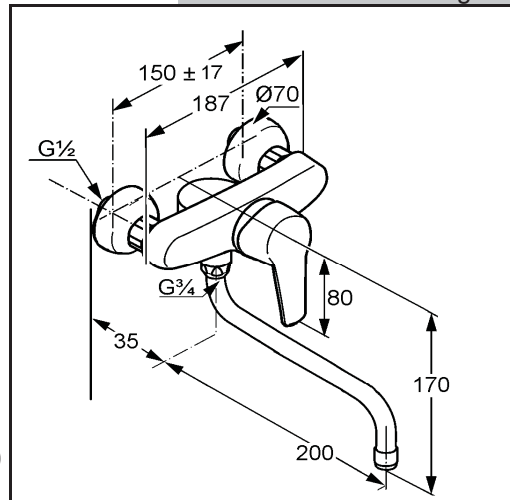
- \* KLUDI RAK LLC item no. RAK11009-01
- \*\* chrome plated brass, in accord. to ..EN 50930-6
- \*\*\* in accordance to .. EN 817
- \*\*\*\* ceramic cartridge with hot water safety device  
 Ø 35 mm

wall mounted single-lever sink mixer, wall fastening, manufacturer KLUDI RAK LLC item no. RAK11009-01, DN 15, chrome plated brass, ceramic cartridge with hot water safety device Ø 35 mm, solid lever, noise level DIN EN 4109 group I, report no. PA- IX., type: wall mounted single lever sink mixer DN 15, S unions 1/2 x 3/4 inch, lever projection 80 mm, with PCA aerator M 22 x I, flow level 6,0 l/min, projection spout connection 35 mm, swivel spout / projection spout 235 mm, for pressure type water heater, continuous line heater, PN 10,

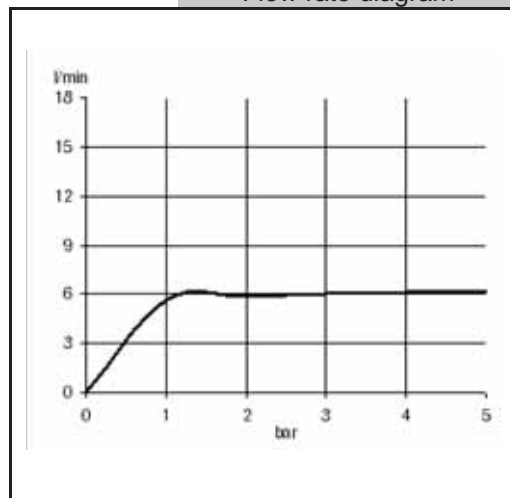
Product picture



Dimensional drawing



Flow rate diagram



**KLUDI**  
**RAK**

Product: **PROJECT Single-lever sink mixer DN 10**

Ref.: **RAK11010**

**Product description**

solid lever  
 single hole mounted  
 flow class A  
 aerator M 24 x I  
 ceramic cartridge with hot water safety device  
 swivel spout l = 245 mm  
 flexible high pressure supply tubes 3/8 inch  
 rapid installation set  
 in accordance to ..EN 817

Finishes:  
 chrome plated

**Advertisement**

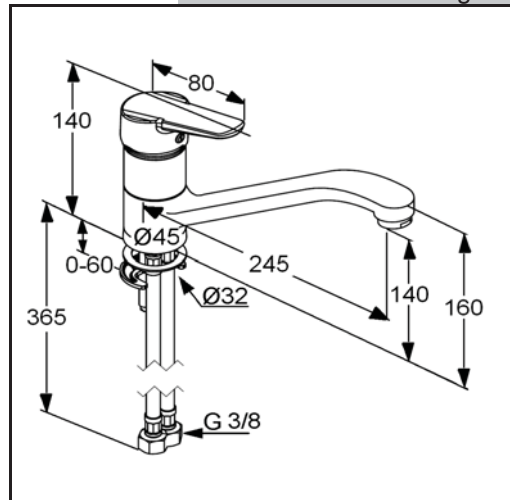
- \* KLUDI RAK LLC item no. RAK11010
- \*\* chrome plated brass, in accord. to ..EN 50930-6
- \*\*\* in accordance to .. EN 817
- \*\*\*\* ceramic cartridge with hot water safety device  
 Ø 35 mm

single-lever sink mixer, manufacturer KLUDI RAK LLC item no. RAK11010, DN 10, chrome plated brass, type: single lever sink mixer DN 10, with swivel spout l = 245 mm, solid lever, lever projection 80 mm, with aerator M 24 x I, noise level DIN EN 4109 group I, report no. P- IX., flow class A (max. 0,25 l/s), nozzle projection 245 mm, rapid installation set, flexible high pressure supply tubes 3/8 inch with DVGW / KIWA / WRAS approv. with metal body length 365 mm, ceramic cartridge with hot water safety device Ø 35 mm, overall length 140 mm, nozzle height 140 / 160 mm, for borehole diameter min. 32 mm, for pressure type water heater, continuous line heater, PN 10,

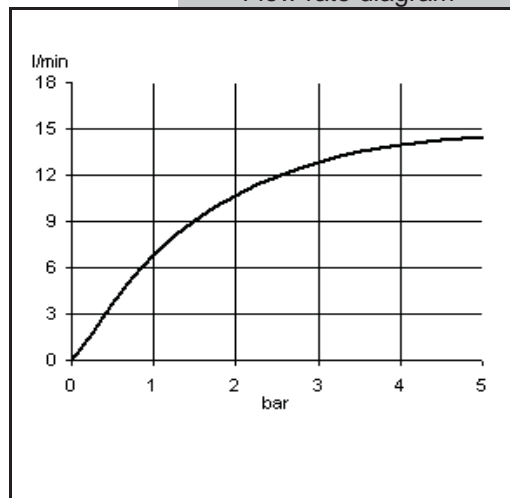
Product picture



Dimensional drawing



Flow rate diagram



**KLUDI**  
**RAK**

Product: **PROJECT Single-lever sink mixer DN 15**

Ref.: **RAK11010-01**

**Product description**

solid lever  
 single hole mounted  
 flow level 6,0 l/min  
 PCA aerator M 24 x I  
 ceramic cartridge with hot water safety device  
 swivel cast spout  
 flexible high pressure supply tubes 1/2 inch  
 rapid installation set  
 in accordance to ..EN 817

Finishes:  
 chrome plated

**Pressure Compensating Aerator 6,0 l/min**

**Advertisement**

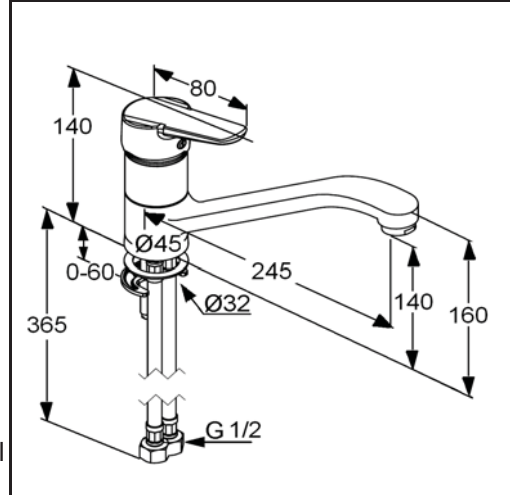
- \* KLUDI RAK LLC item no. RAK11010-01
- \*\* chrome plated brass, in accord. to ..EN 50930-6
- \*\*\* in accordance to .. EN 817
- \*\*\*\* ceramic cartridge with hot water safety device  
 Ø 35 mm

single-lever sink mixer, manufacturer KLUDI RAK LLC item no. RAK11010-01, DN 15, chrome plated brass, type: single lever sink mixer DN 15, with swivel spout l = 245 mm, solid lever, lever projection 80 mm, with PCA aerator M 24 x I, noise level DIN EN 4109 group I, report no. P- IX., flow level 6,0 l/min, nozzle projection 245 mm, rapid installation set, flexible high pressure supply tubes 1/2 inch with DVGW / KIWA / WRAS approv. with metal body length 365 mm, ceramic cartridge with hot water safety device Ø 35 mm, overall length 140 mm, nozzle height 140 / 160 mm, for borehole diameter min. 32 mm, for pressure type water heater, continuous line heater, PN 10,

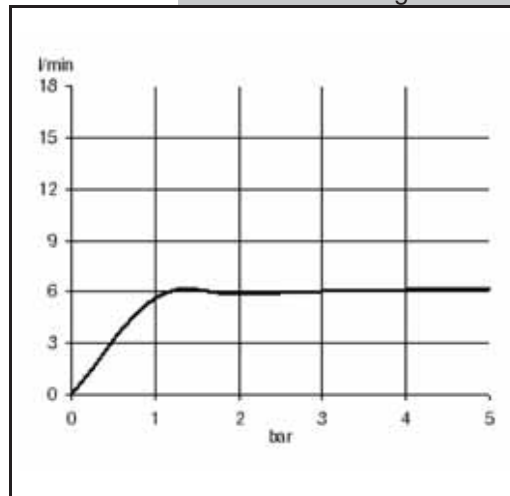
Product picture



Dimensional drawing



Flow rate diagram



**KLUDI**  
**RAK**

Product: **Wall mounted bath spout with automatic diverter  
DN 20**

Ref.: **RAK11013**

Product description

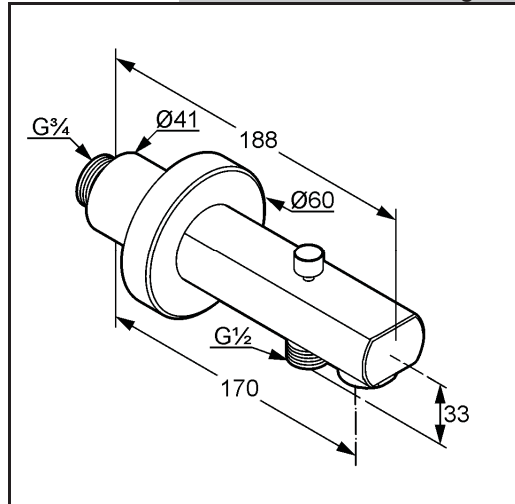
wall spout with automatic diverter DN 20  
wall fastening  
flow class BB  
aerator M 28 x I  
automatic diverter: shower to bath tub  
shower outlet 1/2 inch  
protected against back flow  
with sliding cover plate  
projection 170 mm

Finishes:  
chrome plated

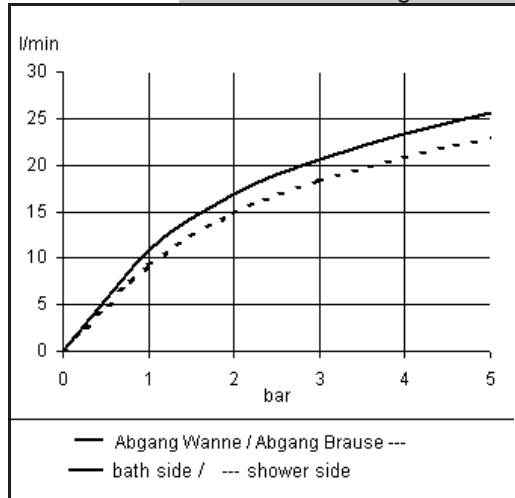
Product picture



Dimensional drawing



Flow rate diagram



Advertisement

- \* KLUDI RAK LLC wall spout with automatic diverter item no. RAK11013
- \*\* chrome plated brass, DIN 50930-6
- \*\*\* DIN EN 200 / DIN EN 1717

wall spout with diverter DN 20, manufacturer KLUDI RAK LLC wall spout with diverter item no. RAK11013, DN 20, chrome plated brass, with male connection 3/4 inch, noise level DIN EN 4109 group I, without report no., flow class B (max. 0,42 l/s), aerator M 28 x I B, nozzle projection 170 mm, bath filler, with sliding cover plate, with automatic diverter: shower to bath tub, shower connection 1/2 inch, protected against back flow DIN EN 1717, for pressure type water heater, for continuous line heater,

**KLUDI**  
**RAK**

Product: **PROJECT single lever sink mixer DN 15**

Ref.: **RAK11010-01**

### Product description

single lever sink mixer DN 15  
 solid lever  
 single hole mounted  
 flow level 6,0 l/min  
 PCA aerator M 24 x l  
 ceramic cartridge with hot water safety device  
 swivel spout l = 245 mm  
 flexible high pressure supply tubes 1/2 inch  
 rapid installation set  
 noise level I  
 in accordance to ..EN 817  
**Pressure Compensating Aerator 6,0 l/min**

Finishes:  
 chrome plated

Product picture

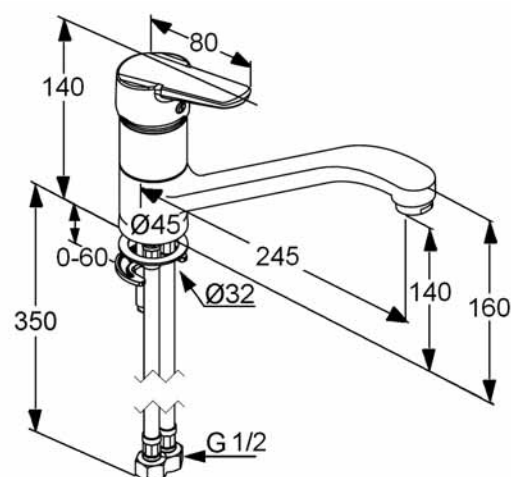


### Advertisement

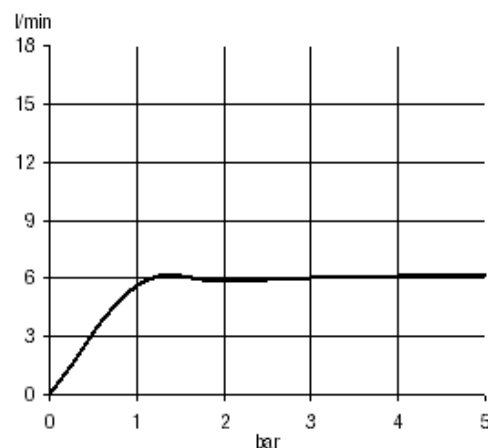
- \* KLUDI RAK LLC item no. single lever sink mixer RAK11010-01
- \*\* chrome plated brass, in accord. to ..EN 50930-6
- \*\*\* in accordance to .. EN 817
- \*\*\*\* ceramic cartridge with hot water safety device  $\varnothing$  35 mm

single-lever sink mixer, manufacturer KLUDI RAK LLC item no. RAK11010-01, DN 15, chrome plated brass, type: single lever sink mixer DN 15, with swivel spout l = 245 mm, solid lever, lever projection 80 mm, with aerator M 24 x l, noise level DIN EN 4109 group I, report no. P- IX., flow level 6,0 l/min, nozzle projection 245 mm, rapid installation set, flexible high pressure supply tubes 1/2 inch with DVGW / KIWA / WRAS approv. with metal body length 350 mm, ceramic cartridge with hot water safety device  $\varnothing$  35 mm, overall length 140 mm, nozzle height 140 / 160 mm, for borehole diameter min.  $\varnothing$  32 mm, for pressure type water heater, continuous line heater, PN 10,

Dimensional drawing



Flow rate diagram





Product: **PROJECT single lever sink mixer DN 10**

Ref.: **RAK11010**

### Product description

single lever sink mixer DN 10  
 solid lever  
 single hole mounted  
 flow class A  
 aerator M 24 x I  
 ceramic cartridge with hot water safety device  
 swivel spout l = 245 mm  
 flexible high pressure supply tubes 3/8 inch  
 rapid installation set  
 noise level I  
 in accordance to ..EN 817

Finishes:  
 chrome plated

Product picture

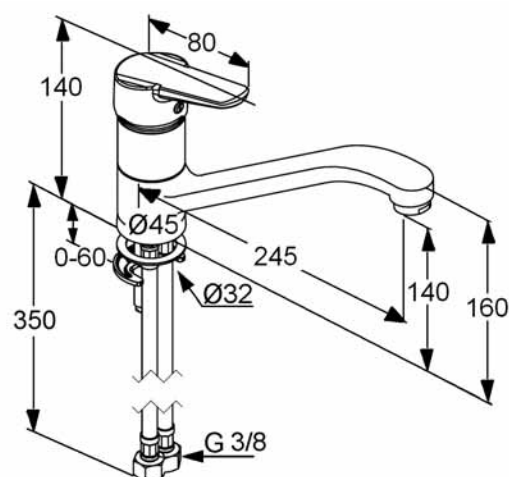


### Advertisement

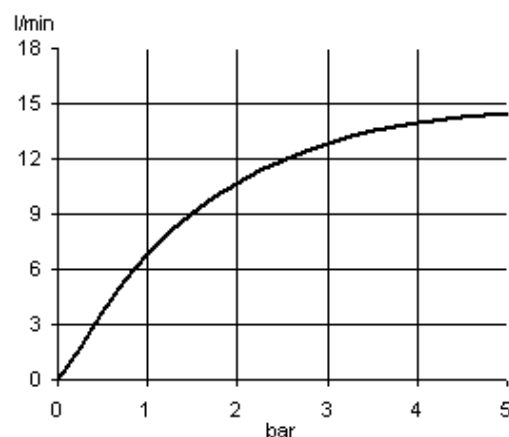
- \* KLUDI RAK LLC item no. single lever sink mixer RAK11010
- \*\* chrome plated brass, in accord. to ..EN 50930-6
- \*\*\* in accordance to .. EN 817
- \*\*\*\* ceramic cartridge with hot water safety device  $\varnothing$  35 mm

single-lever sink mixer, manufacturer KLUDI RAK LLC item no. RAK11010, DN 10, chrome plated brass, type: single lever sink mixer DN 10, with swivel spout l = 245 mm, solid lever, lever projection 80 mm, with aerator M 24 x I, noise level DIN EN 4109 group I, report no. P- IX., flow class A (max. 0,25 l/s), nozzle projection 245 mm, rapid installation set, flexible high pressure supply tubes 3/8 inch with DVGW / KIWA / WRAS approv. with metal body length 350 mm, ceramic cartridge with hot water safety device  $\varnothing$  35 mm, overall length 140 mm, nozzle height 140 / 160 mm, for borehole diameter min.  $\varnothing$  32 mm, for pressure type water heater, continuous line heater, PN 10,

Dimensional drawing



Flow rate diagram



Product: **POLARIS Single-lever basin mixer DN 10**

Ref.: **RAK10000**

**Product description**

solid lever  
 single hole mounted  
 flow class A  
 aerator M 24 x I  
 ceramic cartridge with hot water safety device  
 pop up waste 1 1/4 inch  
 flexible high pressure supply tubes 3/8 inch  
 rapid installation set  
 in accordance to ..EN 817

Finishes:  
 05 chrome plated

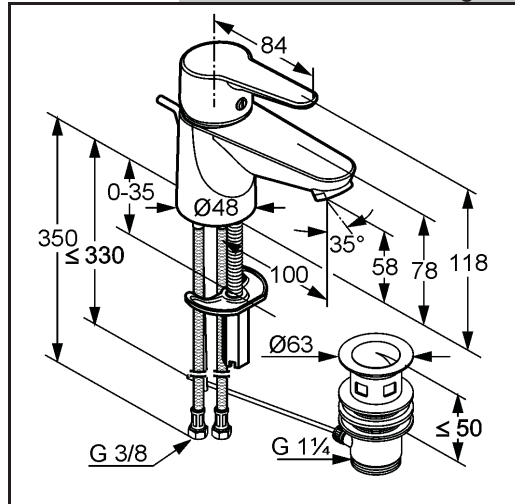
**Product picture**



**Advertisement**

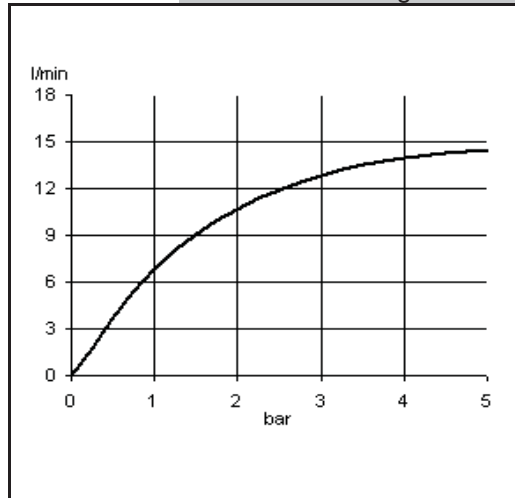
- \* KLUDI RAK LLC item no. RAK10000
- \*\* chrome plated brass, in accord. to ..EN 50930-6
- \*\*\* in accordance to .. EN 817
- \*\*\*\* ceramic cartridge with hot water safety device  
 Ø 35 mm

**Dimensional drawing**



single-lever basin mixer, manufacturer KLUDI RAK LLC item no. RAK10000, DN 10, chrome plated brass, ceramic cartridge with hot water safety device Ø 35 mm, solid lever, noise level DIN EN 4109 group I, report no. P- IX., type: single-lever basin mixer DN 10, flow class A (max. 0,25 l/s), aerator M 24 X I A, pop up waste 1 1/4 inch, flexible high pressure supply tubes 3/8 inch with DVGW / KIWA / WRAS approv. with metal body length 350 mm, nozzle projection 100 mm, nozzle height 58 mm, lever projection 84 mm, rapid installation set, overall length 118 mm, for pressure type water heater, continuous line heater,

**Flow rate diagram**



**KLUDI**  
**RAK**

Product: **POLARIS Single-lever basin mixer DN 15**

Ref.: **RAK10000-01**

**Product description**

solid lever  
 single hole mounted  
 flow level 6,0 l/min  
 PCA aerator M 24 x I  
 ceramic cartridge with hot water safety device  
 pop up waste 1 1/4 inch  
 flexible high pressure supply tubes 1/2 inch  
 rapid installation set  
 in accordance to ..EN 817  
**Pressure Compensating Aerator 6,0 l/min**

Finishes:  
 05 chrome plated

**Advertisement**

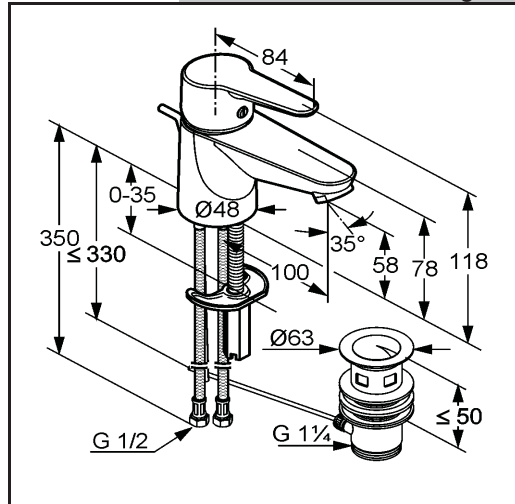
- \* KLUDI RAK LLC item no. RAK10000-01
- \*\* chrome plated brass, in accord. to ..EN 50930-6
- \*\*\* in accordance to .. EN 817
- \*\*\*\* ceramic cartridge with hot water safety device  
 Ø 35 mm

single-lever basin mixer, manufacturer KLUDI RAK LLC item no. RAK10000-01, DN 15, chrome plated brass, ceramic cartridge with hot water safety device Ø 35 mm, solid lever, noise level DIN EN 4109 group I, report no. P- IX., type: single-lever basin mixer DN 15, flow level 6,0 l/min, PCA aerator M 24 X I, pop up waste 1 1/4 inch, flexible high pressure supply tubes 1/2 inch with DVGW / KIWA / WRAS approv. with metal body length 350 mm, nozzle projection 100 mm, nozzle height 58 mm, lever projection 84 mm, rapid installation set, overall length 118 mm, for pressure type water heater, continuous line heater,

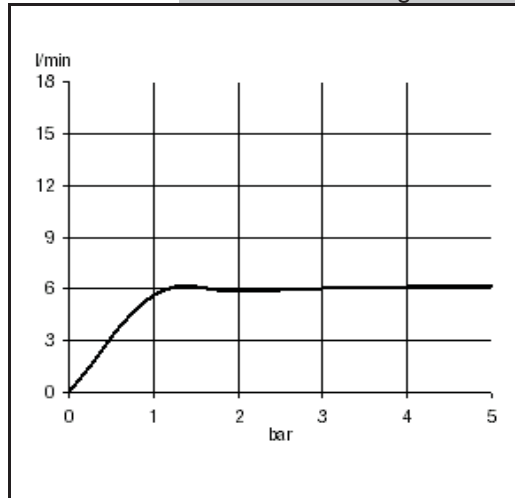
**Product picture**



**Dimensional drawing**



**Flow rate diagram**



**KLUDI**  
**RAK**

Product: **POLARIS Single-lever bidet mixer DN 10**

Ref.: **RAK10001**

**Product description**

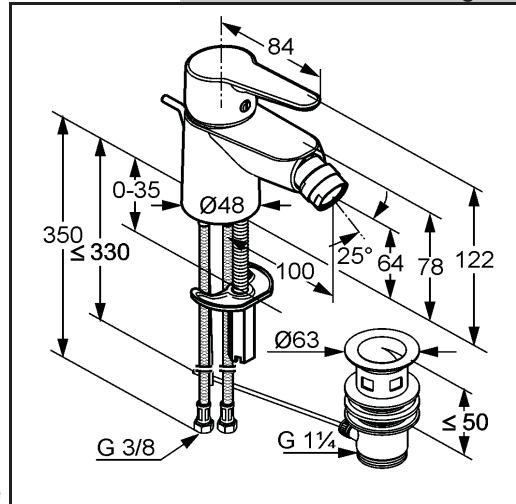
solid lever  
 single hole mounted  
 flow class A  
 ball joint aerator M 24 x I  
 ceramic cartridge with hot water safety device  
 pop up waste 1 1/4 inch  
 flexible high pressure supply tubes 3/8 inch  
 rapid installation set  
 in accordance to ..EN 817

Finishes:  
 05 chrome plated

**Product picture**



**Dimensional drawing**

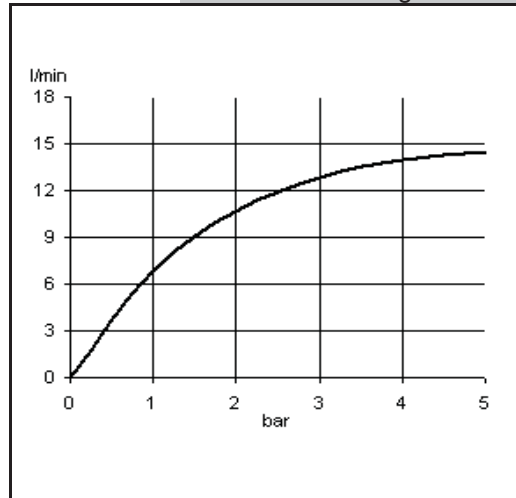


**Advertisement**

- \* KLUDI RAK LLC item no. RAK10001
- \*\* chrome plated brass, in accord. to ..EN 50930-6
- \*\*\* in accordance to .. EN 817
- \*\*\*\* ceramic cartridge with hot water safety device  
 Ø 35 mm

single-lever bidet mixer, manufacturer KLUDI RAK LLC item no. RAK10001, DN 10, chrome plated brass, ceramic cartridge with hot water safety device Ø 35 mm, solid lever, noise level DIN EN 4109 group I, report no. P- IX., type: single-lever bidet mixer DN 10, flow class A (max. 0,25 l/s), ball joint aerator M 24 X I A, pop up waste 1 1/4 inch, flexible high pressure supply tubes 3/8 inch with DVGW / KIWA / WRAS approv. with metal body length 350 mm, nozzle projection 100 mm, nozzle height 64 mm, lever projection 84 mm, rapid installation set, overall length 122 mm, for pressure type water heater, continuous line heater,

**Flow rate diagram**



**KLUDI**  
**RAK**

Product: **POLARIS Single-lever bidet mixer DN 15**

Ref.: **RAK10001-01**

**Product description**

solid lever  
 single hole mounted  
 flow level 6,0 l/min  
 ball joint aerator PCA M 24 x I  
 ceramic cartridge with hot water safety device  
 pop up waste 1 1/4 inch  
 flexible high pressure supply tubes 1/2 inch  
 rapid installation set  
 in accordance to ..EN 817

Finishes:  
 05 chrome plated

**Pressure Compensating Aerator 6,0 l/min**

**Advertisement**

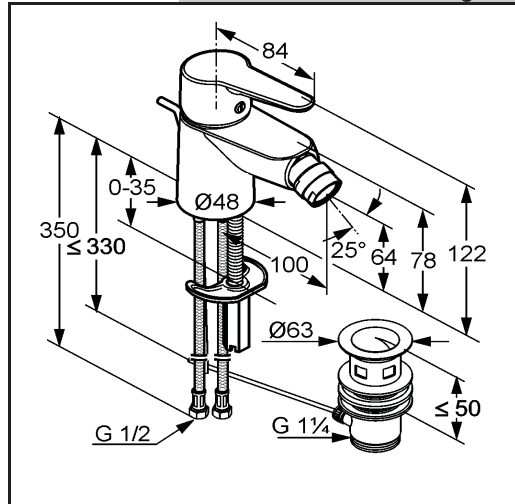
- \* KLUDI RAK LLC item no. RAK10001-01
- \*\* chrome plated brass, in accord. to ..EN 50930-6
- \*\*\* in accordance to .. EN 817
- \*\*\*\* ceramic cartridge with hot water safety device  
 Ø 35 mm

single-lever bidet mixer, manufacturer KLUDI RAK LLC item no. RAK10001-01, DN 15, chrome plated brass, ceramic cartridge with hot water safety device Ø 35 mm, solid lever, noise level DIN EN 4109 group I, report no. P- IX., type: single-lever bidet mixer DN 15, flow level 6,0 l/min, ball joint aerator PCA M 24 X I, pop up waste 1 1/4 inch, flexible high pressure supply tubes 1/2 inch with DVGW / KIWA / WRAS approv. with metal body length 350 mm, nozzle projection 100 mm, nozzle height 64 mm, lever projection 84 mm, rapid installation set, overall length 122 mm, for pressure type water heater, continuous line heater,

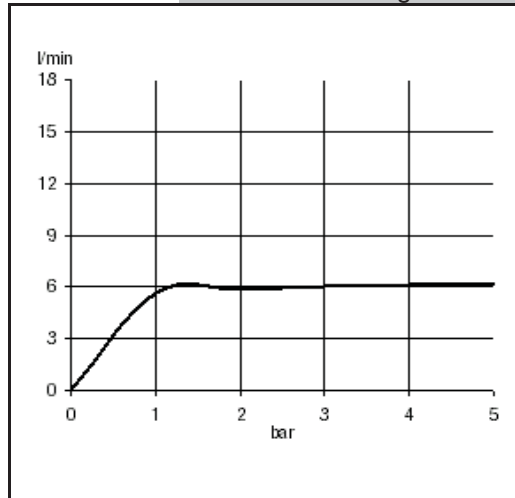
**Product picture**



**Dimensional drawing**



**Flow rate diagram**



**KLUDI**  
**RAK**

Product: **POLARIS Single-lever bath and shower mixer DN 15**

Ref.: **RAK10002**

**Product description**

solid lever  
 wall fastening  
 flow class CB  
 aerator M 24 x I  
 ceramic cartridge with hot water safety device  
 protected against back flow  
 automatic diverter: shower to bath tub  
 S-unions 1/2 inch x 3/4 inch  
 with 1 S Hand-held shower  
 with shower hose 1/2 x 1/2 inch x 1500 mm  
 with Wall-mounted shower holder

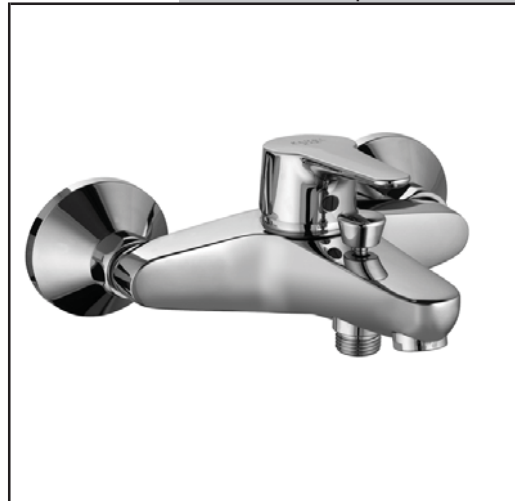
Finishes:  
 05 chrome plated

**Advertisement**

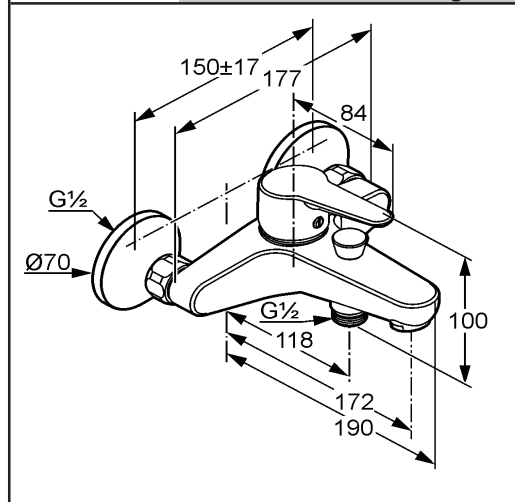
- \* KLUDI RAK LLC item no. RAK10002
- \*\* chrome plated brass, in accord. to ..EN 50930-6
- \*\*\* in accordance to .. EN 817, .. EN 1717
- \*\*\*\* ceramic cartridge with hot water safety device  
 Ø 35 mm

single-lever bath- and shower mixer, wall fastening, manufacturer KLUDI RAK LLC item no. RAK10002, DN 15, chrome plated brass, solid lever, ceramic cartridge with hot water safety device Ø 35 mm, noise level DIN EN 4109 group I, report no. PA- IX., type: single lever bath- and shower mixer, with automatic diverter: shower to bath tub, protected against back flow ..EN1717, wall fastening, bath tube filler with areator M 24 x I, flow class C B (max. 0,42 l/s), shower connection 1/2 inch, lever projection 84 mm, nozzle projection 172/190 mm, S-unions 1/2 x 3/4 inch, with Logoflex shower hose 1/2 x 1/2 inch x 1500 mm, with fixed Wall-mounted shower holder with screws and dowels, with 1 S Hand-held shower 1/2 inch with rain shower, for pressure type water heater, continuous line heater,

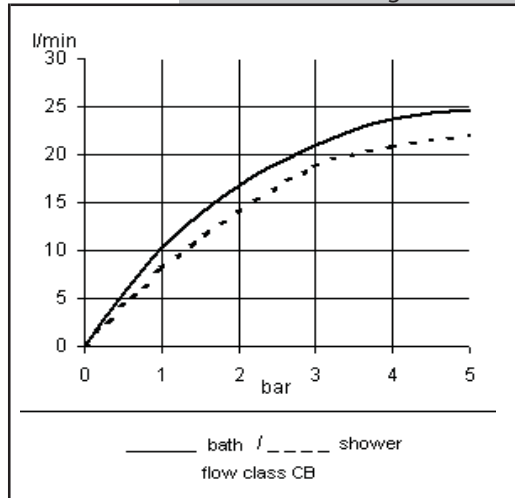
**Product picture**



**Dimensional drawing**



**Flow rate diagram**



**KLUDI**  
**RAK**



Product: **POLARIS Single-lever shower mixer DN 15**

Ref.: **RAK10003**

**Product description**

solid lever  
 wall fastening  
 flow class B  
 ceramic cartridge with hot water safety device  
 protected against back flow  
 shower outlet 1/2 inch  
 S-unions 1/2 x 3/4 inch  
 with 1 S Hand-held shower  
 with shower hose 1/2 x 1/2 inch x 1500 mm  
 with Wall-mounted shower holder

Finishes:  
 05 chrome plated

**Advertisement**

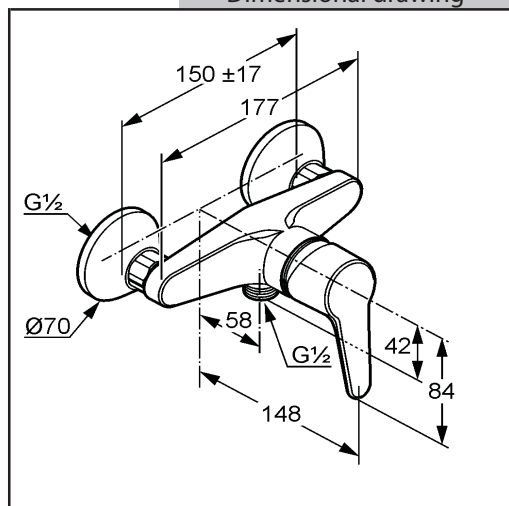
- \* KLUDI RAK LLC item no. RAK10003
- \*\* chrome plated brass, in accord. to ..EN 50930-6
- \*\*\* in accordance to .. EN 817, ..EN1717
- \*\*\*\* ceramic cartridge with hot water safety device  
 Ø 35 mm

single-lever shower mixer, wall fastening, manufacturer KLUDI RAK LLC item no. RAK10003, DN 15, chrome plated brass, ceramic cartridge with hot water safety device Ø 35 mm, solid lever, noise level DIN EN 4109 group I, report no. PA- IX., type: single lever shower mixer DN 15, protected against back flow ..EN1717, shower connection 1/2 inch, S unions 1/2 x 3/4 inch, lever projection 84 mm, flow class B (max. 0,30 l/s), projection shower connection 58 mm, projection 148 mm, shower connection 1/2 inch, with Logoflex shower hose 1/2 x 1/2 inch x 1500 mm, with fixed Wall-mounted shower holder with screws and dowels, with 1 S Hand-held shower 1/2 inch with rain shower, for pressure type water heater, continuous line heater,

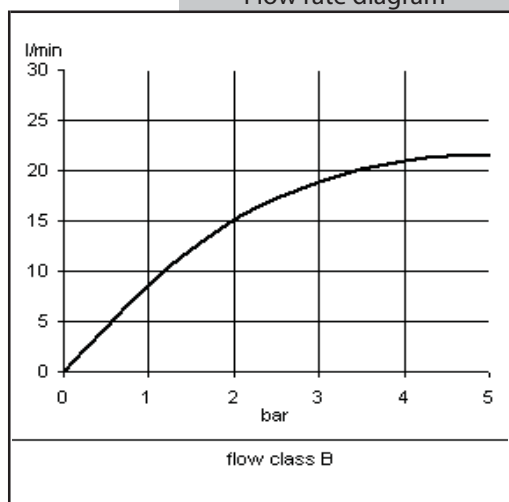
Product picture



Dimensional drawing



Flow rate diagram



**KLUDI**  
**RAK**

Product: **POLARIS Single-lever sink mixer DN 10**

Ref.: **RAK10004**

**Product description**

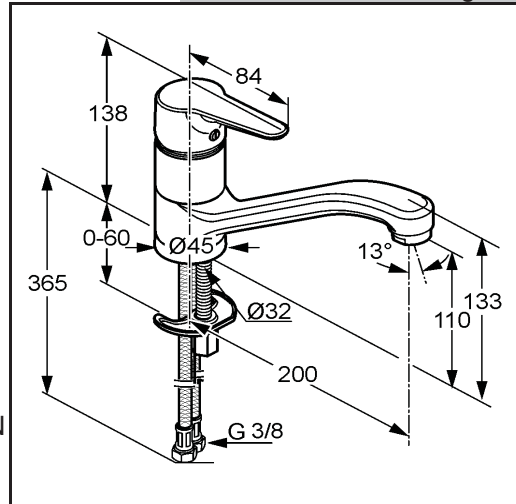
solid lever  
 single hole mounted  
 flow class A  
 aerator M 24 x I  
 ceramic cartridge with hot water safety device  
 swivel cast spout  
 flexible high pressure supply tubes 3/8 inch  
 rapid installation set  
 in accordance to ..EN 817

Finishes:  
 05 chrome plated

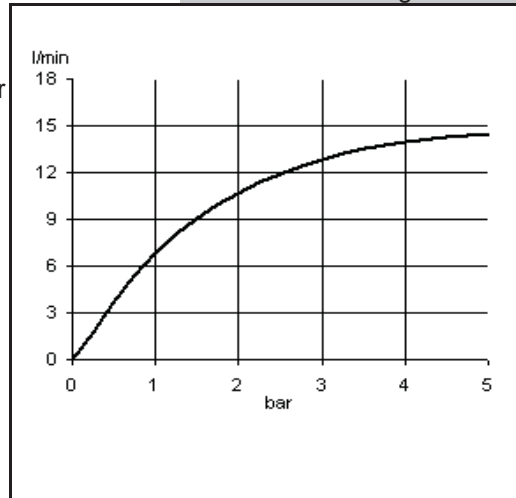
Product picture



Dimensional drawing



Flow rate diagram



**Advertisement**

- \* KLUDI RAK LLC item no. RAK10004
- \*\* chrome plated brass, in accord. to ..EN 50930-6
- \*\*\* in accordance to .. EN 817
- \*\*\*\* ceramic cartridge with hot water safety device  
 Ø 35 mm

single-lever sink mixer, manufacturer KLUDI RAK LLC item no. RAK10004, DN 10, chrome plated brass, type: single lever sink mixer DN 10, with swivel cast spout, solid lever, lever projection 84 mm, with aerator M 24 x I, noise level DIN EN 4109 group I, report no. P- IX., flow class A (max. 0,25 l/s), nozzle projection 200 mm, rapid installation set, flexible high pressure supply tubes 3/8 inch with DVGW / KIWA / WRAS approv. with metal body length 365 mm, ceramic cartridge with hot water safety device Ø 35 mm, overall length 133 mm, nozzle height 110 mm, for borehole diameter min. 32 mm, for pressure type water heater, continuous line heater,

**KLUDI**  
**RAK**

Product: **POLARIS Single-lever sink mixer DN 15**

Ref.: **RAK10004-01**

**Product description**

solid lever  
 single hole mounted  
 flow level 6,0 l/min  
 PCA aerator M 24 x I  
 ceramic cartridge with hot water safety device  
 swivel cast spout  
 flexible high pressure supply tubes 1/2 inch  
 rapid installation set  
 in accordance to ..EN 817  
**Pressure Compensating Aerator 6,0 l/min**

Finishes:  
 05 chrome plated

**Advertisement**

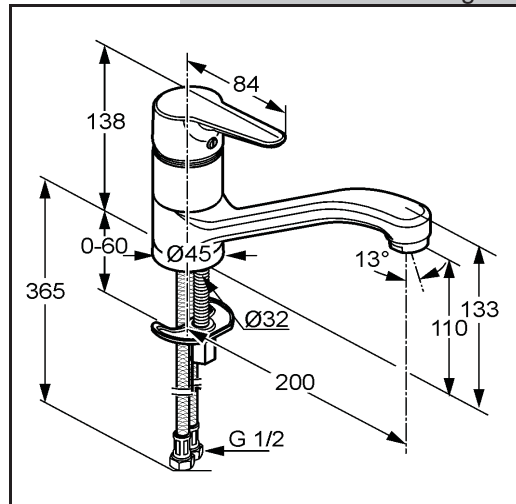
- \* KLUDI RAK LLC item no. RAK10004-01
- \*\* chrome plated brass, in accord. to ..EN 50930-6
- \*\*\* in accordance to .. EN 817
- \*\*\*\* ceramic cartridge with hot water safety device  
 Ø 35 mm

single-lever sink mixer, manufacturer KLUDI RAK LLC item no. RAK10004-01, DN 15, chrome plated brass, type: single lever sink mixer DN 15, with swivel cast spout, solid lever, lever projection 84 mm, with PCA aerator M 24 x I, noise level DIN EN 4109 group I, report no. P- IX..., flow level 6,0 l/min, nozzle projection 200 mm, rapid installation set, flexible high pressure supply tubes 1/2 inch with DVGW / KIWA / WRAS approv. with metal body length 365 mm, ceramic cartridge with hot water safety device Ø 35 mm, overall length 133 mm, nozzle height 110 mm, for borehole diameter min. 32 mm, for pressure type water heater, continuous line heater,

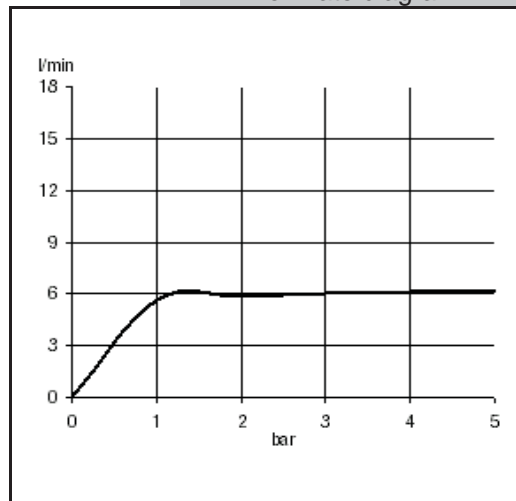
Product picture



Dimensional drawing



Flow rate diagram



**KLUDI**  
**RAK**

**Product:** POLARIS Concealed single-lever bath and shower mixer

**Ref.:** RAK10005

**Product description**

concealed bath/  
shower mixer  
concealed trim set  
solid lever  
automatic diverter: shower to bath tub  
for pre installation set RAK10006  
in accordance to ..EN 817

Finishes:  
05 chrome plated

**Advertisement**

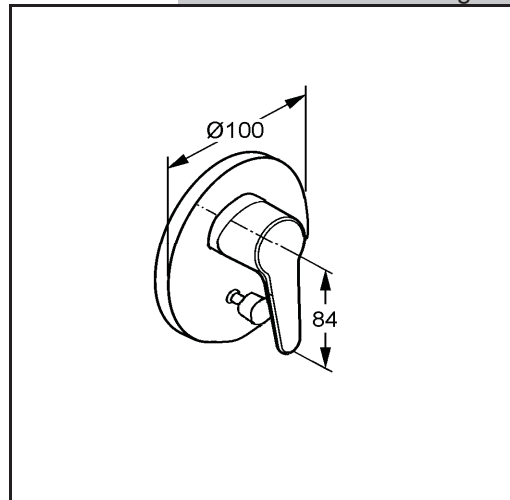
- \* KLUDI RAK LLC item no. RAK10005
- \*\* chrome plated brass, in accord. to ..EN 50930-6
- \*\*\* in accordance to .. EN 817

concealed trim set, manufacturer KLUDI RAK LLC item no. RAK10005, type: concealed bath / shower mixer trim set for pre installation set RAK10006, solid lever, wall flange metal chrome plated, with automatic diverter: shower to bath tub, lever projection 84 mm, diameter wall flange 100 mm, protection against back flow look at pre installation set RAK10006, without extension set, for installation depth 65 - 85 mm (RAK10006),

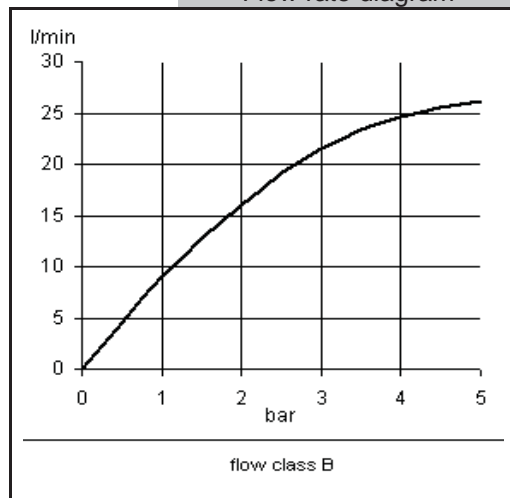
**Product picture**



**Dimensional drawing**



**Flow rate diagram**



**KLUDI**  
**RAK**

Product: **POLARIS Concealed mixer, pre-installation kit DN 15**

Ref.: **RAK10006**

**Product description**

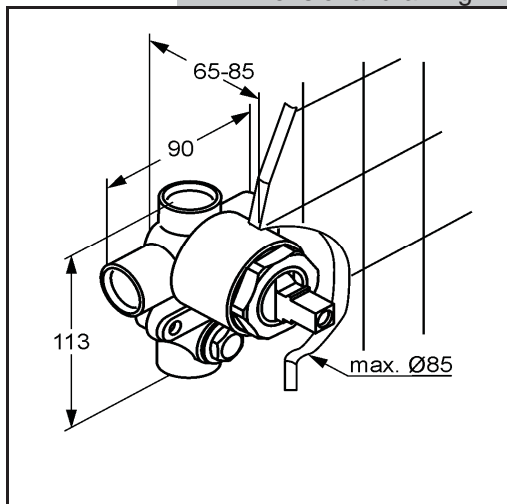
pre-installation set  
without trim set RAK10005  
in-wall installation  
flow class BB  
ceramic cartridge with hot water safety device  
PA- IX 8281 / IBB  
in accordance to ..EN 817

Finishes:

Product picture



Dimensional drawing

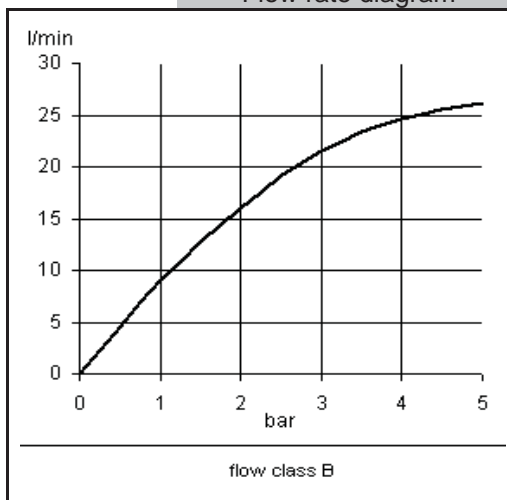


**Advertisement**

- \* KLUDI RAK LLC item no. RAK10006
- \*\* chrome plated brass, in accord. to ..EN 50930-6
- \*\*\* in accordance to .. EN 817
- \*\*\*\* ceramic cartridge with hot water safety device  
Ø 35 mm

concealed bath/shower mixer DN 15, manufacturer KLUDI RAK LLC item no. RAK10006, DN 15, brass in accord. to .. EN 50930-6, ceramic cartridge with hot water safety device Ø 35 mm, type: concealed bath/shower mixer pre-installation set DN 15, flow class BB (max. 0,42 l/s), noise level DIN EN 4109 group I, PA- IX 8281 / IBB, for use with automatic diverter: shower to bath tub, installation depth 65 to 85 mm, without trim set item no. RAK10005, connection 1/2 inch, for pressure type water heater, continuous line heater,

Flow rate diagram



**KLUDI**  
**RAK**

Product: **POLARIS Concealed single-lever shower mixer**

Ref.: **RAK10009**

**Product description**

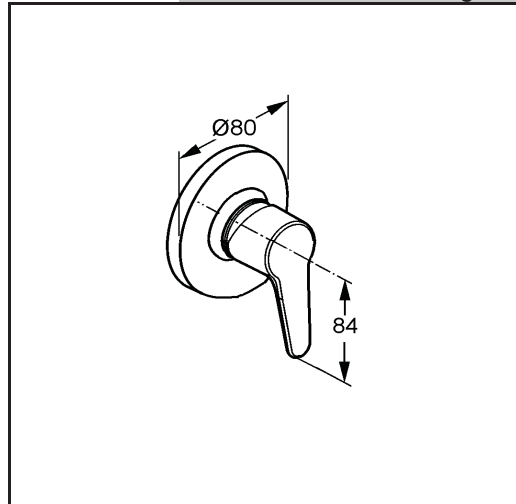
concealed shower mixer  
concealed trim set  
solid lever  
for pre installation set RAK10010  
in accordance to .. EN 817

Finishes:  
05 chrome plated

**Product picture**



**Dimensional drawing**

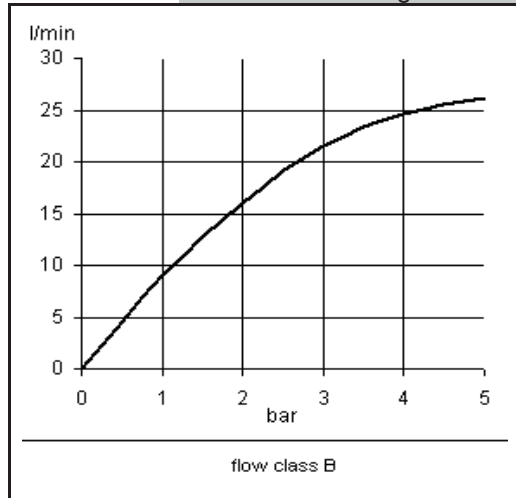


**Advertisement**

- \* KLUDI RAK LLC item no. RAK10009
- \*\* chrome plated brass, in accord. to ..EN 50930-6
- \*\*\* in accordance to .. EN 817

concealed trim set, manufacturer KLUDI RAK LLC item no. RAK10009, type: concealed shower mixer trim set for pre installation set RAK10010, solid lever, wall flange metal chrome plated, lever projection 84 mm, diameter wall flange 80 mm, protection against back flow look at pre installation set RAK10010, without extension set, for installation depth 60 - 85 mm (RAK10010),

**Flow rate diagram**



**KLUDI**  
**RAK**



Product: **Wall mounted bath spout DN 20**

Ref.: **RAK 10007**

Product description

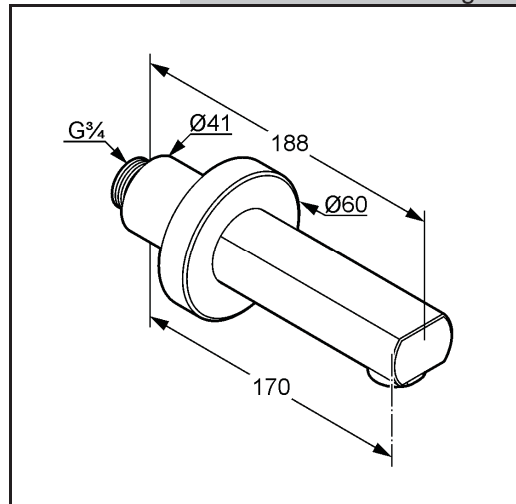
wall spout DN 20  
 wall fastening  
 flow class B  
 aerator M 28 x I  
 with sliding cover plate  
 projection 170 mm

Finishes:  
 chrome plated

Product picture



Dimensional drawing

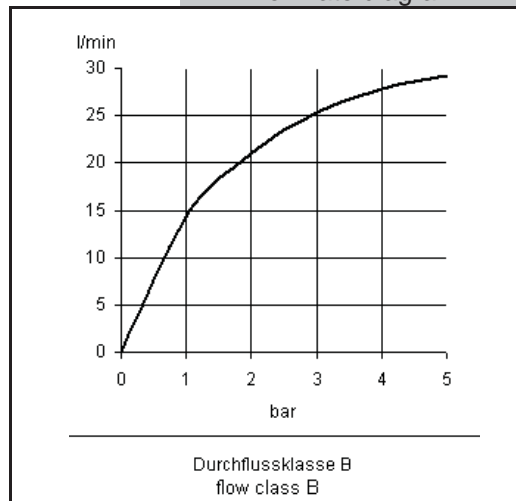


Advertisement

- \* KLUDI RAK LLC wall spout item no. RAK10007
- \*\* chrome plated brass, DIN 50930-6
- \*\*\* DIN EN 200

wall spout DN 20, manufacturer KLUDI RAK LLC wall spout item no. RAK10007, DN 20, chrome plated brass, with male connection 3/4 inch, noise level DIN EN 4109 group I, without report no., flow class B (max. 0,42 l/s), aerator M 28 x I B, nozzle projection 170 mm, with sliding cover plate, for pressure type water heater, for continuous line heater,

Flow rate diagram



**KLUDI**  
**RAK**

Product: **POLARIS wall mounted single lever sink mixer DN 15**

Ref.: **RAK10008**

**Product description**

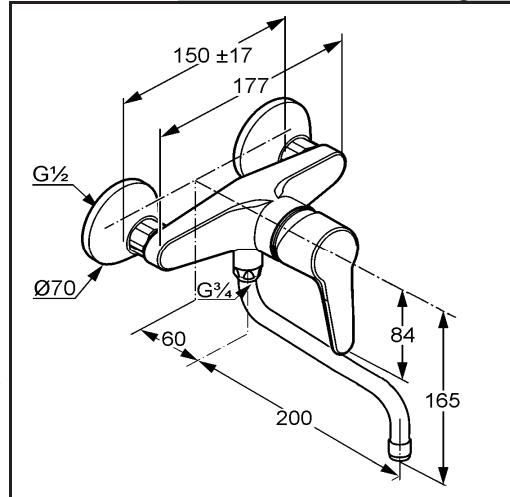
solid lever  
 wall fastening  
 flow class A  
 aerator M 22 x I  
 ceramic cartridge with hot water safety device  
 S-unions 1/2 x 3/4 inch  
 swivel spout 200 mm  
 in accordance to ..EN 817

Finishes:  
 chrome plated

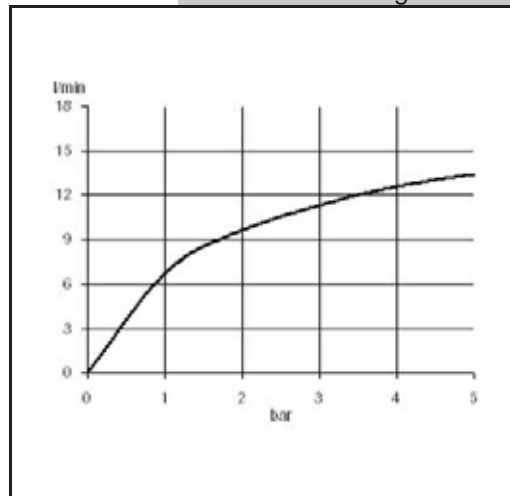
**Product picture**



**Dimensional drawing**



**Flow rate diagram**



**Advertisement**

- \* KLUDI RAK LLC item no. RAK10008
- \*\* chrome plated brass, in accord. to ..EN 50930-6
- \*\*\* in accordance to .. EN 817
- \*\*\*\* ceramic cartridge with hot water safety device  
 Ø 35 mm

wall mounted single-lever sink mixer, wall fastening, manufacturer KLUDI RAK LLC item no. RAK10008, DN 15, chrome plated brass, ceramic cartridge with hot water safety device Ø 35 mm, solid lever, noise level DIN EN 4109 group I, report no. PA- IX., type: wall mounted single lever sink mixer DN 15, S unions 1/2 x 3/4 inch, lever projection 84 mm, with aerator M 22 x I, flow class A (max. 0,25 l/s), projection spout connection 35 mm, swivel spout / projection spout 260 mm, for pressure type water heater, continuous line heater, PN 10,

**KLUDI**  
**RAK**

Product: **POLARIS Single-lever sink mixer DN 10**

Ref.: **RAK10014**

**Product description**

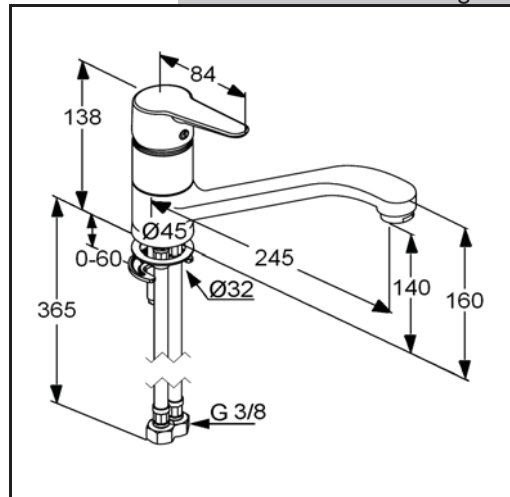
solid lever  
 single hole mounted  
 flow class A  
 aerator M 24 x I  
 ceramic cartridge with hot water safety device  
 swivel spout l = 245 mm  
 flexible high pressure supply tubes 3/8 inch  
 rapid installation set  
 in accordance to ..EN 817

Finishes:  
 chrome plated

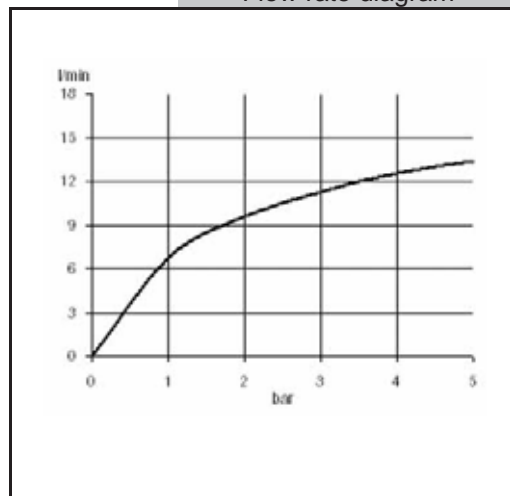
Product picture



Dimensional drawing



Flow rate diagram



**Advertisement**

- \* KLUDI RAK LLC item no. RAK10014
- \*\* chrome plated brass, in accord. to ..EN 50930-6
- \*\*\* in accordance to .. EN 817
- \*\*\*\* ceramic cartridge with hot water safety device  
 Ø 35 mm

single-lever sink mixer, manufacturer KLUDI RAK LLC item no. RAK10014, DN 10, chrome plated brass, type: single lever sink mixer DN 10, with swivel spout l = 245 mm, solid lever, lever projection 84 mm, with aerator M 24 x I, noise level DIN EN 4109 group I, report no. P- IX., flow class A (max. 0,25 l/s), nozzle projection 245 mm, rapid installation set, flexible high pressure supply tubes 3/8 inch with DVGW / KIWA / WRAS approv. with metal body length 365 mm, ceramic cartridge with hot water safety device Ø 35 mm, overall length 138 mm, nozzle height 140 / 160 mm, for borehole diameter min. 32 mm, for pressure type water heater, continuous line heater, PN 10,

**KLUDI**  
**RAK**

Product: **POLARIS Concealed mixer, pre-installation kit DN 15**

Ref.: **RAK10010**

**Product description**

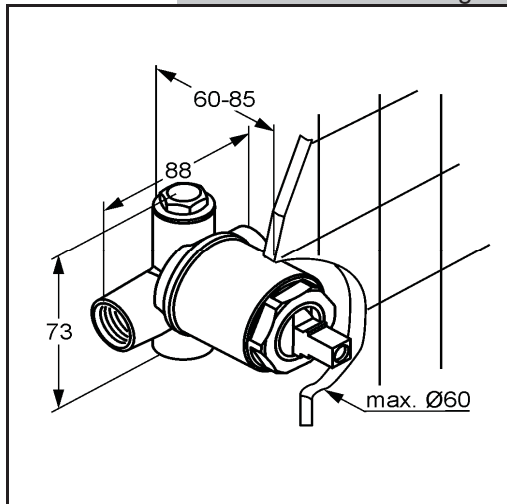
pre-installation set  
without trim set RAK10009  
in-wall installation  
flow class B  
ceramic cartridge with hot water safety device  
PA- IX 8282 / IB  
in accordance to ..EN 817

Finishes:

**Product picture**



**Dimensional drawing**

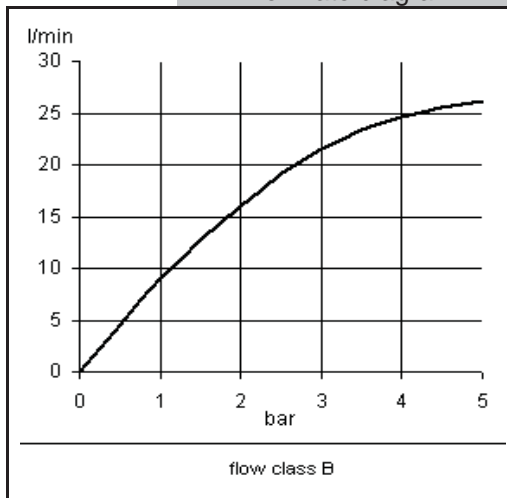


**Advertisement**

- \* KLUDI RAK LLC item no. RAK10010
- \*\* chrome plated brass, in accord. to ..EN 50930-6
- \*\*\* in accordance to .. EN 817
- \*\*\*\* ceramic cartridge with hot water safety device  
Ø 35 mm

concealed shower mixer DN 15, manufacturer KLUDI RAK LLC item no. RAK10010, DN 15, brass, ceramic cartridge with hot water safety device Ø 35 mm, type: concealed shower mixer pre- installation set DN 15, flow class B (max. 0,42 l/s), noise level DIN EN 4109 group I, PA- IX 8282 / I B, installation depth 60 to 85 mm, without trim set RAK10009, connection 1/2 inch, for pressure type water heater, continuous line heater,

**Flow rate diagram**



**KLUDI**  
**RAK**

Product: **POLO Single-lever basin mixer DN 10**

Ref.: **RAK30000**

**Product description**

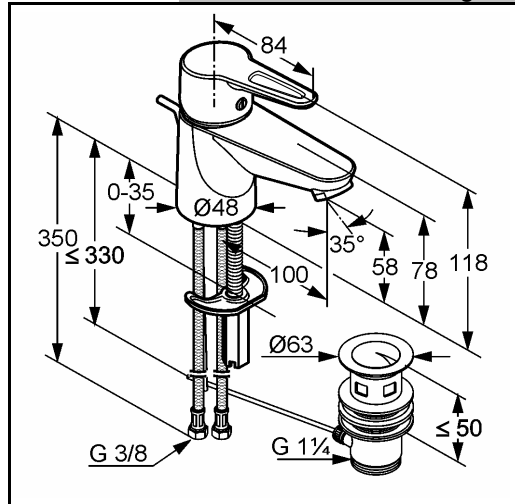
solid lever  
 single hole mounted  
 flow class A  
 aerator M 24 x I  
 ceramic cartridge with hot water safety device  
 pop up waste 1 1/4 inch  
 flexible high pressure supply tubes 3/8 inch  
 rapid installation set  
 in accordance to ..EN 817

Finishes:  
 05 chrome plated

**Product picture**



**Dimensional drawing**

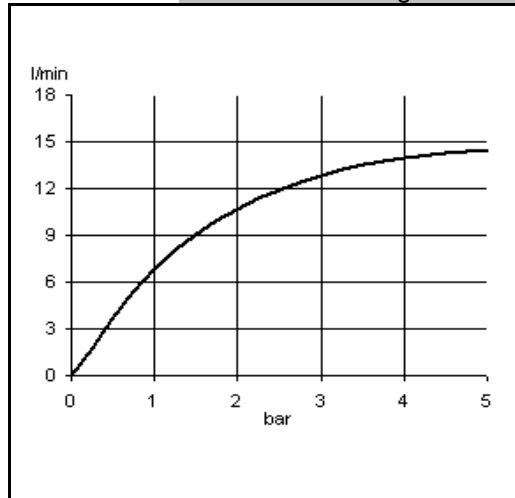


**Advertisement**

- \* KLUDI RAK LLC item no. RAK30000
- \*\* chrome plated brass, in accord. to ..EN 50930-6
- \*\*\* in accordance to .. EN 817
- \*\*\*\* ceramic cartridge with hot water safety device  
 Ø 35 mm

single-lever basin mixer, manufacturer KLUDI RAK LLC item no. RAK30000, DN 10, chrome plated brass, ceramic cartridge with hot water safety device Ø 35 mm, solid lever, noise level DIN EN 4109 group I, report no. P- IX., type: single-lever basin mixer DN 10, flow class A (max. 0,25 l/s), aerator M 24 X I A, pop up waste 1 1/4 inch, flexible high pressure supply tubes 3/8 inch with DVGW / KIWA / WRAS approv. with metal body length 350 mm, nozzle projection 100 mm, nozzle height 58 mm, lever projection 84 mm, rapid installation set, overall length 118 mm, for pressure type water heater, continuous line heater,

**Flow rate diagram**



**KLUDI**  
**RAK**

Product: **POLO Single-lever basin mixer DN 15**

Ref.: **RAK30000-01**

**Product description**

solid lever  
 single hole mounted  
 flow level 6,0 l/min  
 PCA aerator M 24 x I  
 ceramic cartridge with hot water safety device  
 pop up waste 1 1/4 inch  
 flexible high pressure supply tubes 1/2 inch  
 rapid installation set  
 in accordance to ..EN 817  
**Pressure Compensating Aerator 6,0 l/min**

Finishes:  
 05 chrome plated

**Advertisement**

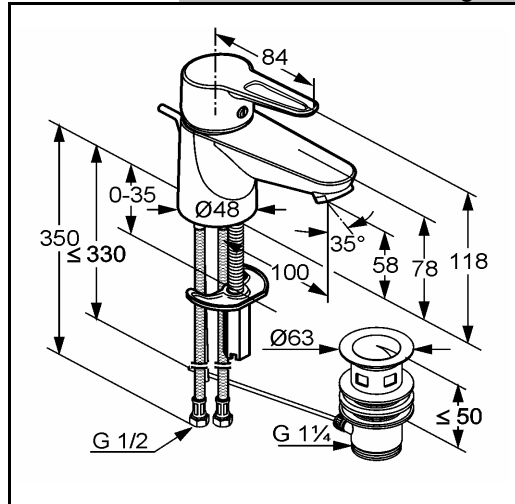
- \* KLUDI RAK LLC item no. RAK30000-01
- \*\* chrome plated brass, in accord. to ..EN 50930-6
- \*\*\* in accordance to .. EN 817
- \*\*\*\* ceramic cartridge with hot water safety device  
 Ø 35 mm

single-lever basin mixer, manufacturer KLUDI RAK LLC item no. RAK30000-01, DN 15, chrome plated brass, ceramic cartridge with hot water safety device Ø 35 mm, solid lever, noise level DIN EN 4109 group I, report no. P- IX..., type: single-lever basin mixer DN 15, flow level 6,0 l/min, PCA aerator M 24 X I, pop up waste 1 1/4 inch, flexible high pressure supply tubes 1/2 inch with DVGW / KIWA / WRAS approv. with metal body length 350 mm, nozzle projection 100 mm, nozzle height 58 mm, lever projection 84 mm, rapid installation set, overall length 118 mm, for pressure type water heater, continuous line heater,

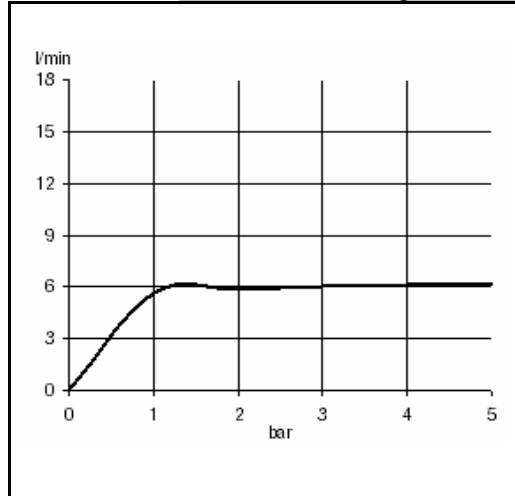
**Product picture**



**Dimensional drawing**



**Flow rate diagram**



**KLUDI**  
**RAK**



Product: **POLO Single-lever bidet mixer DN 10**

Ref.: **RAK30001**

**Product description**

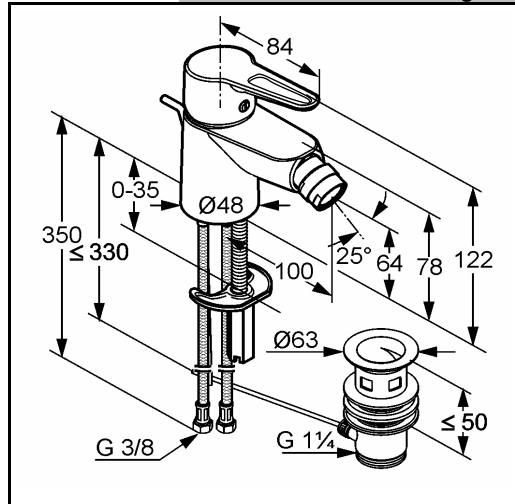
solid lever  
 single hole mounted  
 flow class A  
 ball joint aerator M 24 x I  
 ceramic cartridge with hot water safety device  
 pop up waste 1 1/4 inch  
 flexible high pressure supply tubes 3/8 inch  
 rapid installation set  
 in accordance to ..EN 817

Finishes:  
 05 chrome plated

**Product picture**



**Dimensional drawing**

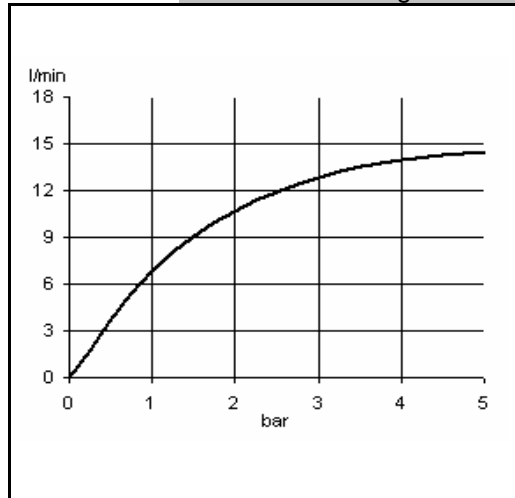


**Advertisement**

- \* KLUDI RAK LLC item no. RAK30001
- \*\* chrome plated brass, in accord. to ..EN 50930-6
- \*\*\* in accordance to .. EN 817
- \*\*\*\* ceramic cartridge with hot water safety device  
 Ø 35 mm

single-lever bidet mixer, manufacturer KLUDI RAK LLC item no. RAK30001, DN 10, chrome plated brass, ceramic cartridge with hot water safety device Ø 35 mm, solid lever, noise level DIN EN 4109 group I, report no. P- IX., type: single-lever bidet mixer DN 10, flow class A (max. 0,25 l/s), ball joint aerator M 24 X I A, pop up waste 1 1/4 inch, flexible high pressure supply tubes 3/8 inch with DVGW / KIWA / WRAS approv. with metal body length 350 mm, nozzle projection 100 mm, nozzle height 64 mm, lever projection 84 mm, rapid installation set, overall length 122 mm, for pressure type water heater, continuous line heater,

**Flow rate diagram**



**KLUDI**  
**RAK**

Product: **POLO Single-lever bidet mixer DN 15**

Ref.: **RAK30001-01**

**Product description**

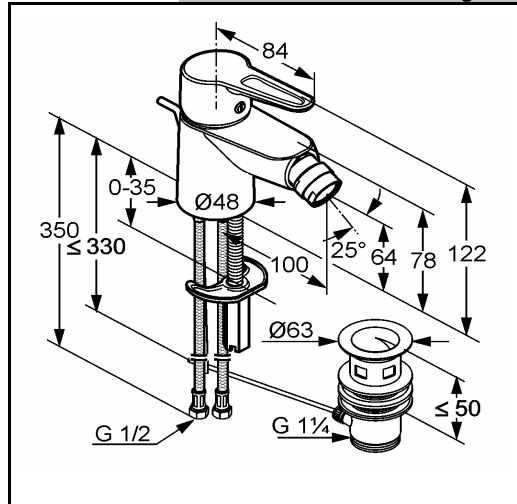
solid lever  
 single hole mounted  
 flow level 6,0 l/min  
 ball joint aerator PCA M 24 x I  
 ceramic cartridge with hot water safety device  
 pop up waste 1 1/4 inch  
 flexible high pressure supply tubes 1/2 inch  
 rapid installation set  
 in accordance to ..EN 817  
**Pressure Compensating Aerator 6,0 l/min**

Finishes:  
 05 chrome plated

**Product picture**



**Dimensional drawing**

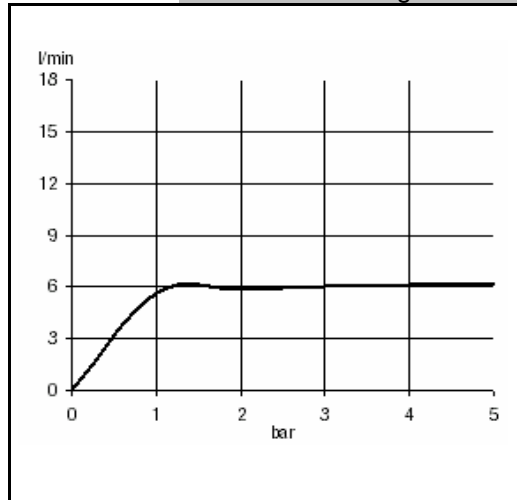


**Advertisement**

- \* KLUDI RAK LLC item no. RAK30001-01
- \*\* chrome plated brass, in accord. to ..EN 50930-6
- \*\*\* in accordance to .. EN 817
- \*\*\*\* ceramic cartridge with hot water safety device  
 Ø 35 mm

single-lever bidet mixer, manufacturer KLUDI RAK LLC item no. RAK30001-01, DN 15, chrome plated brass, ceramic cartridge with hot water safety device Ø 35 mm, solid lever, noise level DIN EN 4109 group I, report no. P- IX., type: single-lever bidet mixer DN 15, flow level 6,0 l/min, ball joint aerator PCA M 24 X I, pop up waste 1 1/4 inch, flexible high pressure supply tubes 1/2 inch with DVGW / KIWA / WRAS approv. with metal body length 350 mm, nozzle projection 100 mm, nozzle height 64 mm, lever projection 84 mm, rapid installation set, overall length 122 mm, for pressure type water heater, continuous line heater,

**Flow rate diagram**



**KLUDI**  
**RAK**

Product: **POLO Single-lever bath and shower mixer DN 15**  
 Ref.: **RAK30002**

**Product description**

solid lever  
 wall fastening  
 flow class CB  
 aerator M 24 x I  
 ceramic cartridge with hot water safety device  
 protected against back flow  
 automatic diverter: shower to bath tub  
 S-unions 1/2 inch x 3/4 inch  
 with 1 S Hand-held shower  
 with shower hose 1/2 x 1/2 inch x 1500 mm  
 with Wall-mounted shower holder

Finishes:  
 05 chrome plated

**Advertisement**

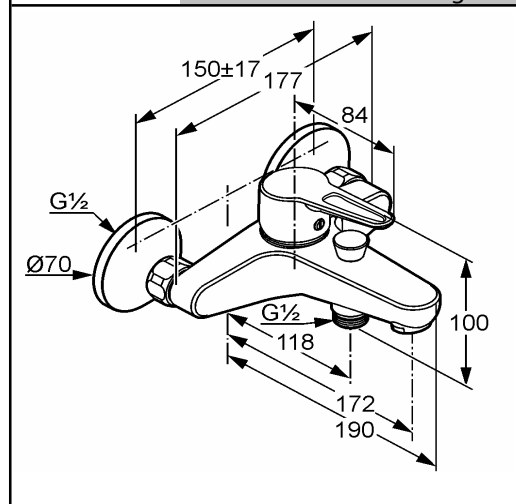
- \* KLUDI RAK LLC item no. RAK30002
- \*\* chrome plated brass, in accord. to ..EN 50930-6
- \*\*\* in accordance to .. EN 817, .. EN 1717
- \*\*\*\* ceramic cartridge with hot water safety device  
 Ø 35 mm

single-lever bath- and shower mixer, wall fastening, manufacturer KLUDI RAK LLC item no. RAK30002, DN 15, chrome plated brass, solid lever, ceramic cartridge with hot water safety device Ø 35 mm, noise level DIN EN 4109 group I, report no. PA- IX., type: single lever bath- and shower mixer, with automatic diverter: shower to bath tub, protected against back flow ..EN1717, wall fastening, bath tube filler with areator M 24 x I, flow class C B (max. 0,42 l/s), shower connection 1/2 inch, lever projection 84 mm, nozzle projection 172/190 mm, S-unions 1/2 x 3/4 inch, with Logoflex shower hose 1/2 x 1/2 inch x 1500 mm, with fixed Wall-mounted shower holder with screws and dowels, with 1 S Hand-held shower 1/2 inch with rain shower, for pressure type water heater, continuous line heater,

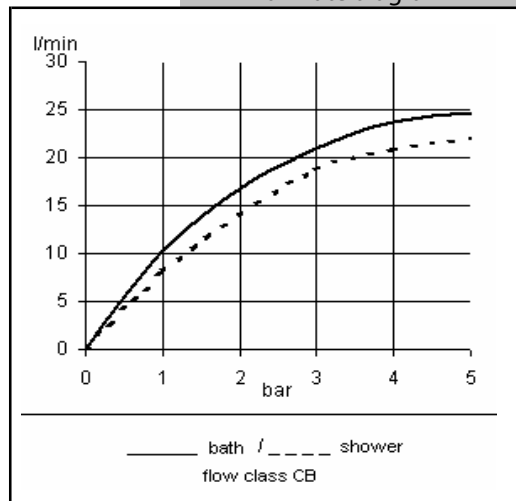
**Product picture**



**Dimensional drawing**



**Flow rate diagram**



**KLUDI**  
**RAK**

**Product:** POLO Single-lever shower mixer DN 15

**Ref.:** RAK30003

**Product description**

solid lever  
 wall fastening  
 flow class B  
 ceramic cartridge with hot water safety device  
 protected against back flow  
 shower outlet 1/2 inch  
 S-unions 1/2 x 3/4 inch  
 with 1 S Hand-held shower  
 with shower hose 1/2 x 1/2 inch x 1500 mm  
 with Wall-mounted shower holder

Finishes:  
 05 chrome plated

**Advertisement**

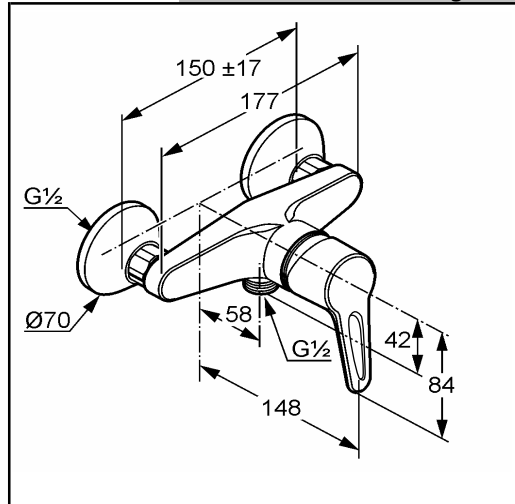
- \* KLUDI RAK LLC item no. RAK30003
- \*\* chrome plated brass, in accord. to ..EN 50930-6
- \*\*\* in accordance to .. EN 817, ..EN1717
- \*\*\*\* ceramic cartridge with hot water safety device  
 Ø 35 mm

single-lever shower mixer, wall fastening, manufacturer KLUDI RAK LLC item no. RAK30003, DN 15, chrome plated brass, ceramic cartridge with hot water safety device Ø 35 mm, solid lever, noise level DIN EN 4109 group I, report no. PA- IX., type: single lever shower mixer DN 15, protected against back flow ..EN1717, shower connection 1/2 inch, S unions 1/2 x 3/4 inch, lever projection 84 mm, flow class B (max. 0,30 l/s), projection shower connection 58 mm, projection 148 mm, shower connection 1/2 inch, with Logoflex shower hose 1/2 x 1/2 inch x 1500 mm, with fixed Wall-mounted shower holder with screws and dowels, with 1 S Hand-held shower 1/2 inch with rain shower, for pressure type water heater, continuous line heater,

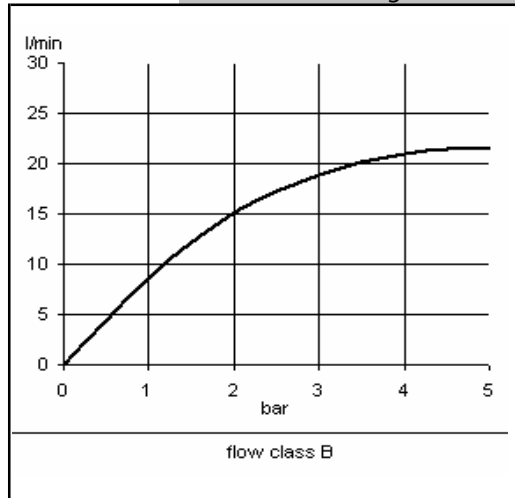
**Product picture**



**Dimensional drawing**



**Flow rate diagram**



**KLUDI**  
**RAK**

Product: **POLO Single-lever sink mixer DN 10**

Ref.: **RAK30004**

**Product description**

solid lever  
 single hole mounted  
 flow class A  
 aerator M 24 x I  
 ceramic cartridge with hot water safety device  
 swivel cast spout  
 flexible high pressure supply tubes 3/8 inch  
 rapid installation set  
 in accordance to ..EN 817

Finishes:  
 05 chrome plated

**Advertisement**

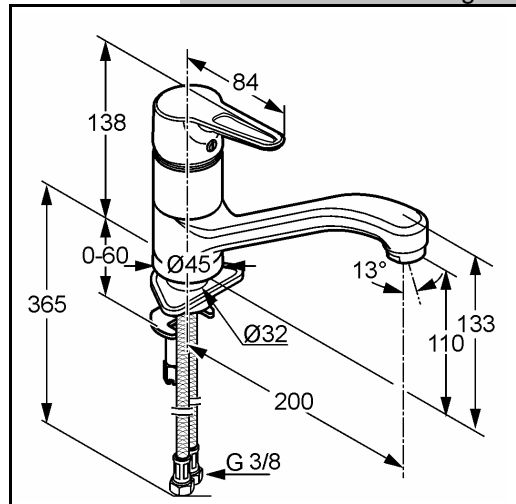
- \* KLUDI RAK LLC item no. RAK30004
- \*\* chrome plated brass, in accord. to ..EN 50930-6
- \*\*\* in accordance to .. EN 817
- \*\*\*\* ceramic cartridge with hot water safety device  
 Ø 35 mm

single-lever sink mixer, manufacturer KLUDI RAK LLC item no. RAK30004, DN 10, chrome plated brass, type: single lever sink mixer, with swivel cast spout, solid lever, lever projection 84 mm, with areator M 24 x I, noise level DIN EN 4109 group I, report no. P- IX., flow class A (max. 0,25 l/s), nozzle projection 200 mm, rapid installation set, flexible high pressure supply tubes G 3/8 with DVGW / KIWA / WRAS approv. with metal body length 365 mm, ceramic cartridge with hot water safety device Ø 35 mm, overall length 133 mm, nozzle height 110 mm, for borehole diameter min. 32 mm, for pressure type water heater, continuous line heater,

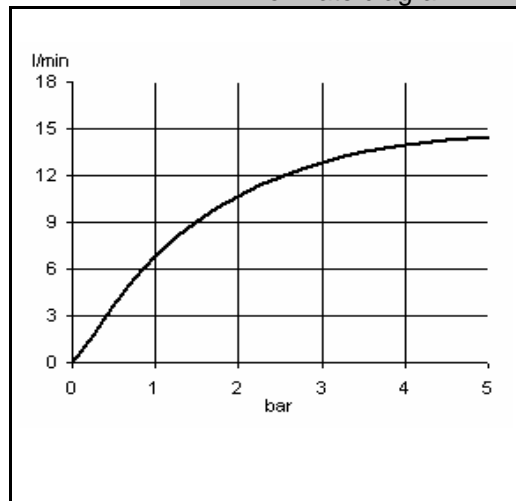
Product picture



Dimensional drawing



Flow rate diagram



**KLUDI**  
**RAK**

Product: **POLO Single-lever sink mixer DN 15**

Ref.: **RAK30004-01**

**Product description**

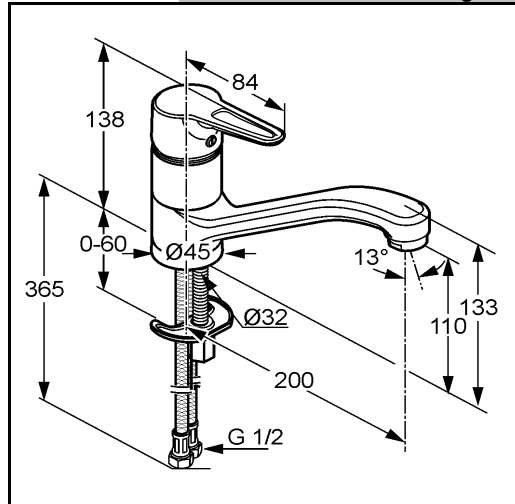
solid lever  
 single hole mounted  
 flow level 6,0 l/min  
 PCA aerator M 24 x I  
 ceramic cartridge with hot water safety device  
 swivel cast spout  
 flexible high pressure supply tubes 1/2 inch  
 rapid installation set  
 in accordance to ..EN 817  
**Pressure Compensating Aerator 6,0 l/min**

Finishes:  
 05 chrome plated

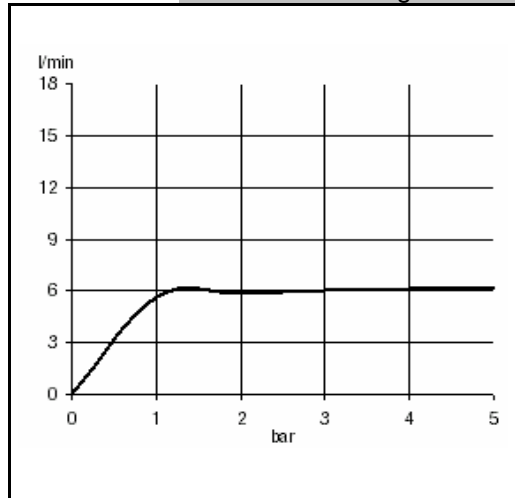
Product picture



Dimensional drawing



Flow rate diagram



**Advertisement**

- \* KLUDI RAK LLC item no. RAK10004-01
- \*\* chrome plated brass, in accord. to ..EN 50930-6
- \*\*\* in accordance to .. EN 817
- \*\*\*\* ceramic cartridge with hot water safety device  
 Ø 35 mm

single-lever sink mixer, manufacturer KLUDI RAK LLC item no. RAK10004-01, DN 15, chrome plated brass, type: single lever sink mixer DN 15, with swivel cast spout, solid lever, lever projection 84 mm, with PCA aerator M 24 x I, noise level DIN EN 4109 group I, report no. P- IX..., flow level 6,0 l/min, nozzle projection 200 mm, rapid installation set, flexible high pressure supply tubes 1/2 inch with DVGW / KIWA / WRAS approv. with metal body length 365 mm, ceramic cartridge with hot water safety device Ø 35 mm, overall length 133 mm, nozzle height 110 mm, for borehole diameter min. 32 mm, for pressure type water heater, continuous line heater,

**KLUDI**  
**RAK**

**Product :** PRISM - Dual Controlled Sink Mixer  
DN 10 Swivel Spout

**Ref :** RAK 31000

**Product Description :**

Sink Mixer  
Metal Handle  
Single Hole Mounted  
Flow Class - B  
Swivel Pipe Spout  
Aerator M22 X 1  
Flexible Tube with DN10  
In accordance to ..EN 200

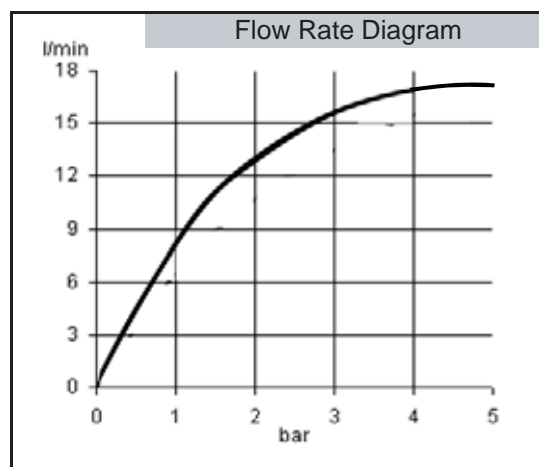
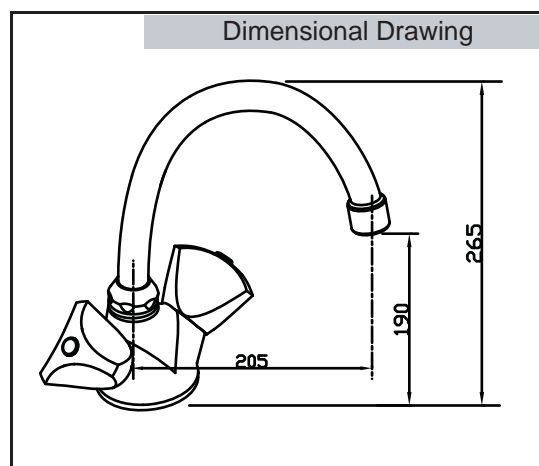
Finishes :  
05 chrome plated



**Advertisement :**

- \* KLUDI RAK LLC item no. RAK31000
- \*\* Chrome plated brass, ..EN 50930-6
- \*\*\* In accordance to ..EN 200
- \*\*\*\* Classic headparts

Sink Mixer Deck Mounted DN10, manufacturer KLUDI RAK LLC  
PRISM item no. RAK 31000, DN10, Chrome Plated  
Brass, Type : Sink Mixer DN10 Swivel Pipe Spout,  
with aerator  
Classic headparts, TRIANGLE HANDLE, for pressure  
type water heater, continuous line heater.



**KLUDI**  
**RAK**



**Product :** PRISM - Dual Controlled Sink Mixer  
DN 15 Swivel Spout

**Ref :** RAK 31000-01

**Product Description :**

Sink Mixer  
Metal Handle  
Single Hole Mounted  
Swivel Pipe Spout  
Aerator M22 X 1  
Flexible Tube with DN15  
In accordance to ..EN 200

**Finishes :**  
05 chrome plated

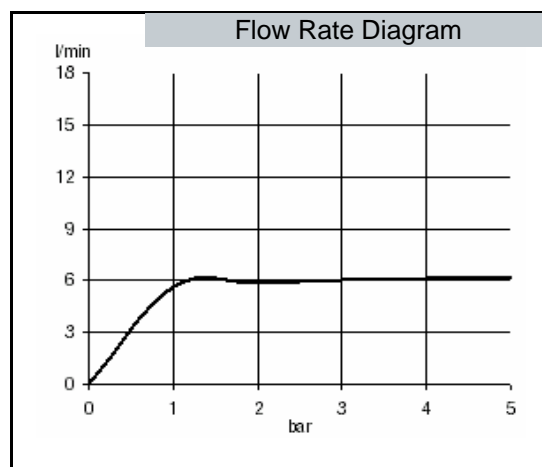
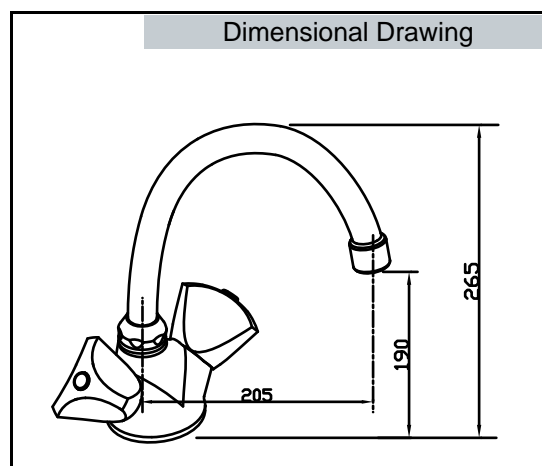
**Pressure Compensating Aerator 6,0 l/min**



**Advertisement :**

- \* KLUDI RAK LLC item no. RAK31000-01
- \*\* Chrome plated brass, ..EN 50930-6
- \*\*\* In accordance to ..EN 200
- \*\*\*\* Classic headparts

Sink Mixer Deck Mounted DN10, manufacturer KLUDI RAK LLC  
PRISM item no. RAK 31000-01, DN15, Chrome Plated  
Brass, Type : Sink Mixer DN10 Swivel Pipe Spout,  
with aerator  
Classic headparts, TRIANGLE HANDLE, for pressure  
type water heater, continuous line heater.



**KLUDI**  
**RAK**

**Product :** PRISM - Dual Controlled Wall-Mounted Sink Mixer DN15 Swivel Spout

**Ref :** RAK 31001

**Product Description :**

Sink Wall Mixer  
 Metal Handle  
 Wall Fastening  
 Flow Class - B  
 Swivel Pipe Spout  
 Aerator M22 X 1  
 Outlet Union 3/4 inch  
 S unions  
 In accordance to ..EN 200

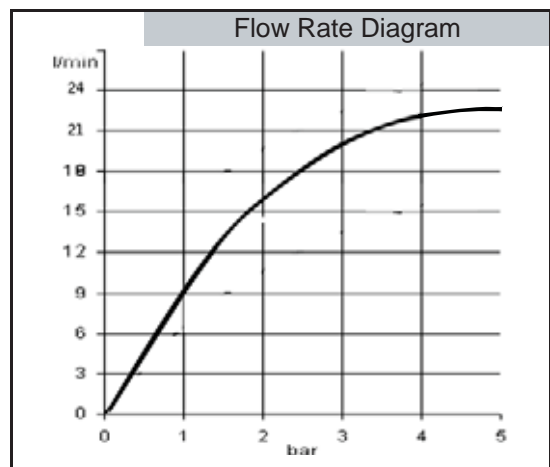
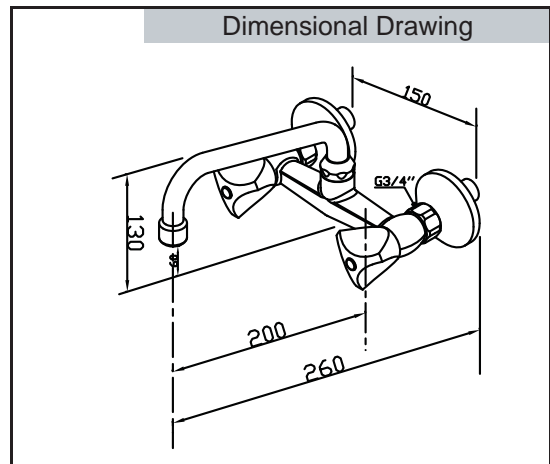
Finishes :  
 05 chrome plated



**Advertisement :**

- \* KLUDI RAK LLC item no. RAK31001
- \*\* Chrome plated brass, ..EN 50930-6
- \*\*\* In accordance to ..EN 200
- \*\*\*\* Classic headwork

Sink Wall Mixer DN15, manufacturer KLUDI RAK LLC  
 PRISM item no. RAK 31001, DN15, Chrome Plated  
 Brass, Type : Sink Wall Mixer DN15 Swivel Pipe Spout,  
 Aerator M22 x 1.



**KLUDI**  


---

**RAK**

**Product :** PRISM - Dual Controlled Wall-Mounted Sink Mixer DN15 Swivel Spout

**Ref :** RAK 31001

**Product Description :**

Sink Wall Mixer  
 Metal Handle  
 Wall Fastening  
 Flow Class - B  
 Swivel Pipe Spout  
 Aerator M22 X 1  
 Outlet Union 3/4 inch  
 S unions  
 In accordance to ..EN 200

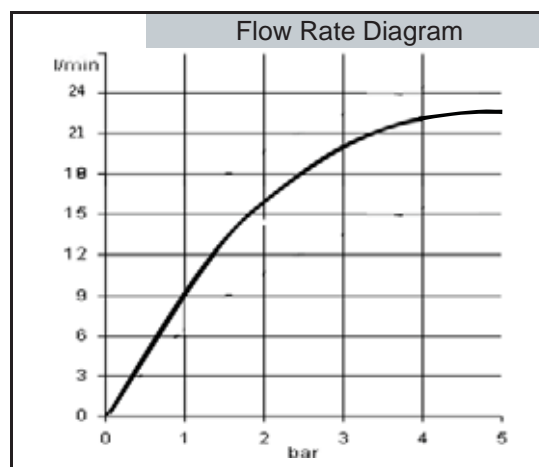
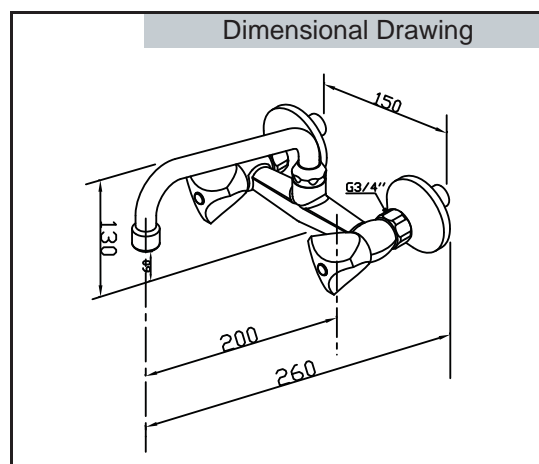
Finishes :  
 05 chrome plated



**Advertisement :**

- \* KLUDI RAK LLC item no. RAK31001
- \*\* Chrome plated brass, ..EN 50930-6
- \*\*\* In accordance to ..EN 200
- \*\*\*\* Classic headwork

Sink Wall Mixer DN15, manufacturer KLUDI RAK LLC  
 PRISM item no. RAK 31001, DN15, Chrome Plated  
 Brass, Type : Sink Wall Mixer DN15 Swivel Pipe Spout,  
 Aerator M22 x 1.



**KLUDI**  
**RAK**

Product : PRISM - Bibcock DN15

Ref : RAK 31002

Product Description :

Bibcock  
Metal Handle  
Wall Fastening  
Hose Union  
Marked : Blue  
In accordance to ..EN 200

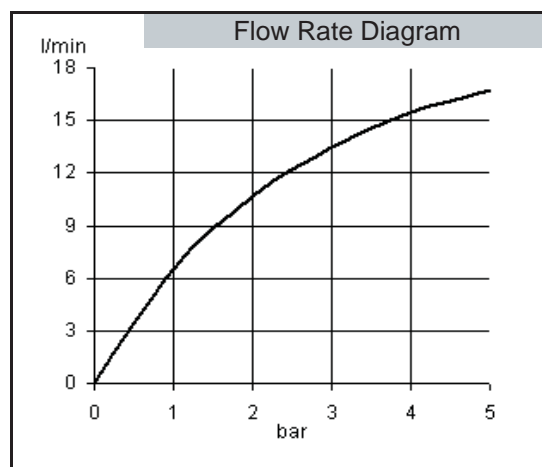
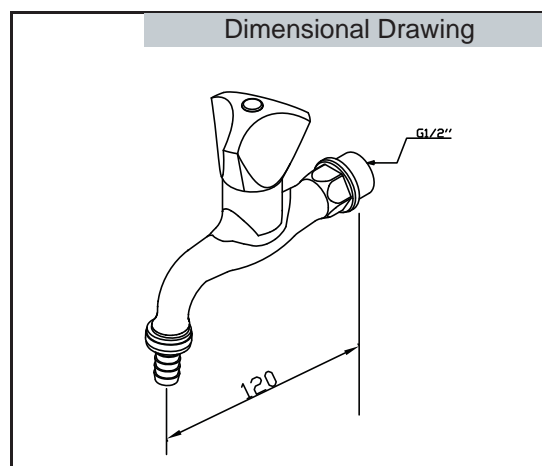
Finishes :  
05 chrome plated



Advertisement :

- \* KLUDI RAK LLC item no. RAK31002
- \*\* Chrome plated brass, ..EN 50930-6
- \*\*\* In accordance to ..EN 200
- \*\*\*\* Classic headwork

Bibcock DN15, manufacturer KLUDI - RAK LLC  
PRISM item no. RAK31002 DN15, chrome plated  
brass, type bibcock, classic headparts,  
handle marked : blue.  
Threading connection 1/2"  
TRIANGLE Handle chrome plated metal.



**KLUDI**  
**RAK**

Product : PRISM - Pillar Tap DN15

Ref : RAK 31003

Product Description :

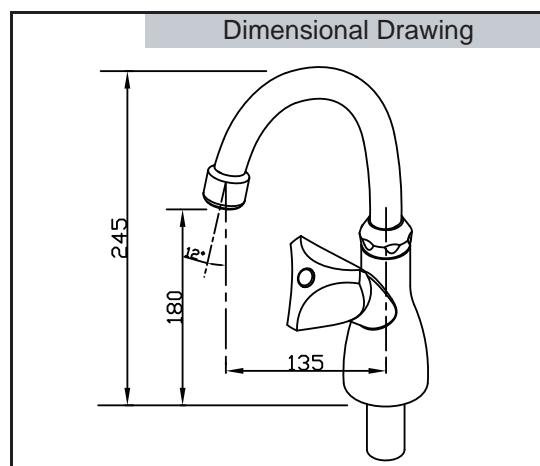
Stand Pillar Tap  
Metal Handle  
Single Hose Mounted  
Flow Class - B  
Swivel Spout  
Flow Straightener M22 x 1  
Marked : Blue  
In accordance to ..EN 200

Finishes :  
05 chrome plated

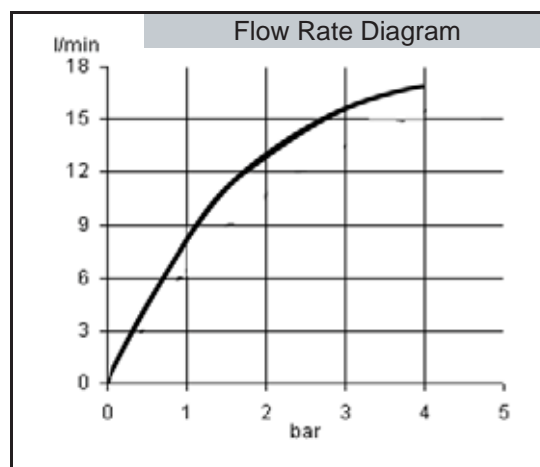


Advertisement :

- \* KLUDI RAK LLC item no. RAK31003
- \*\* Chrome plated brass, ..EN 50930-6
- \*\*\* In accordance to ..EN 200
- \*\*\*\* Classic headwork



Prism Pillar Tap DN15, Manufacturer KLUDI-RAK LLC  
Prism item no. RAK31003 DN15. Chrome Plated  
Brass, stand pillar tap DN15, Swivel spout, aerator  
M22 x 1 back nut fixing, classic head work.  
Marked : blue, thread connection 1/2" with cap nut  
Handle Triangle Chrome plated metal.



**KLUDI**  
**RAK**

Product : PRISM - Pillar Tap DN15

Ref : RAK 31003

Product Description :

Stand Pillar Tap  
Metal Handle  
Single Hose Mounted  
Flow Class - B  
Swivel Spout  
Flow Straightener M22 x 1  
Marked : Blue  
In accordance to ..EN 200

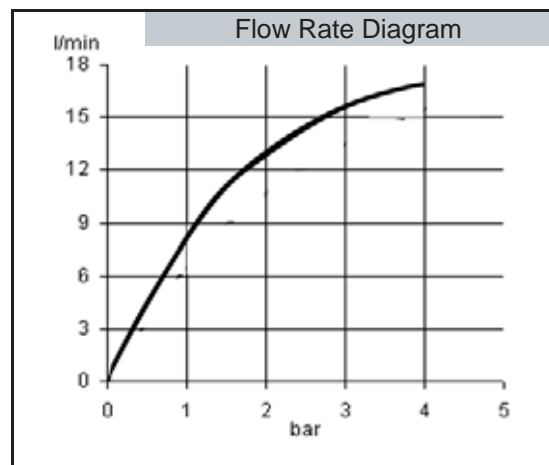
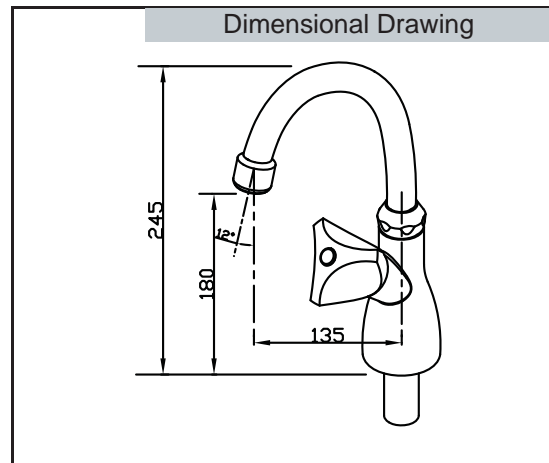
Finishes :  
05 chrome plated



Advertisement :

- \* KLUDI RAK LLC item no. RAK31003
- \*\* Chrome plated brass, ..EN 50930-6
- \*\*\* In accordance to ..EN 200
- \*\*\*\* Classic headwork

Prism Pillar Tap DN15, Manufacturer KLUDI-RAK LLC  
Prism item no. RAK31003 DN15. Chrome Plated  
Brass, stand pillar tap DN15, Swivel spout, aerator  
M22 x 1 back nut fixing, classic head work.  
Marked : blue, thread connection 1/2" with cap nut  
Handle Triangle Chrome plated metal.



**KLUDI**  
**RAK**

**Product :** PRISM - Basin Mixer  
DN10 Dual Controlled Swivel Spout

**Ref :** RAK 31004

**Product Description :**

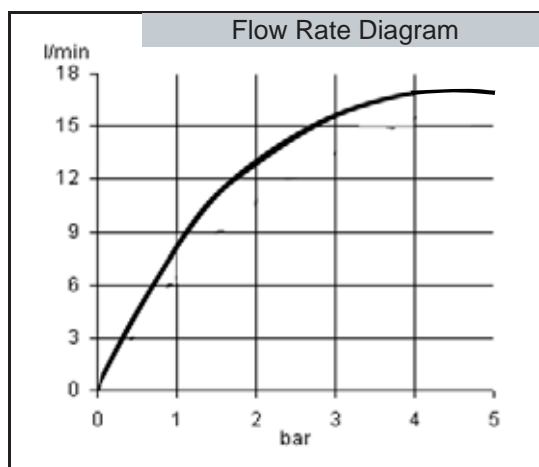
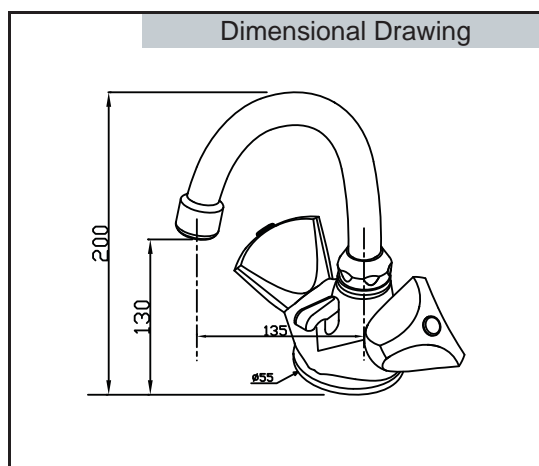
Basin Mixer  
Metal Handle  
Single Hole Mounted  
Flow Class - B  
Swivel Pipe Spout  
Aerator M22 x 1  
Pop Up waste 1 1/4 inch  
Flexible Tube with DN10  
In accordance to ..EN 200

**Advertisement :**

- \* KLUDI RAK LLC item no. RAK31004
- \*\* Chrome plated brass, ..EN 50930-6
- \*\*\* In accordance to ..EN 200
- \*\*\*\* Classic headwork

Basin Mixer DN10 Manufacturer KLUDI - RAK LLC  
Prism Item No. RAK31004 Chrome plated Brass  
Type : Basin Mixer, Swivel Pipe Spout Aerator M22,  
Flexible Tube Hose DN10.

Classic Headparts, head marked red / blue ,  
pop up waste 1 1/4", for pressure type water heater,  
for continuous line heater, TRIANGLE HANDLE  
Chrome plated metal.



**KLUDI**  

---

**RAK**



**Product :** PRISM - Basin Mixer  
DN10 Dual Controlled Swivel Spout

**Ref :** RAK 31004

**Product Description :**

Basin Mixer  
Metal Handle  
Single Hole Mounted  
Flow Class - B  
Swivel Pipe Spout  
Aerator M22 x 1  
Pop Up waste 1 1/4 inch  
Flexible Tube with DN10  
In accordance to ..EN 200

**Advertisement :**

\* KLUDI RAK LLC item no. RAK31004  
\*\* Chrome plated brass, ..EN 50930-6  
\*\*\* In accordance to ..EN 200  
\*\*\*\* Classic headwork

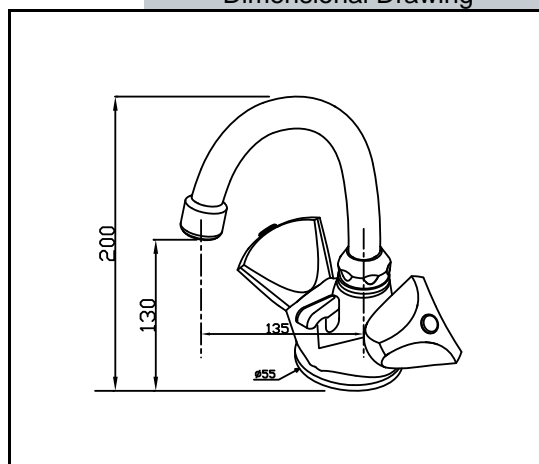
Basin Mixer DN10 Manufacturer KLUDI - RAK LLC  
Prism Item No. RAK31004 Chrome plated Brass  
Type : Basin Mixer, Swivel Pipe Spout Aerator M22,  
Flexible Tube Hose DN10.

Classic Headparts, head marked red / blue ,  
pop up waste 1 1/4", for pressure type water heater,  
for continuous line heater, TRIANGLE HANDLE  
Chrome plated metal.

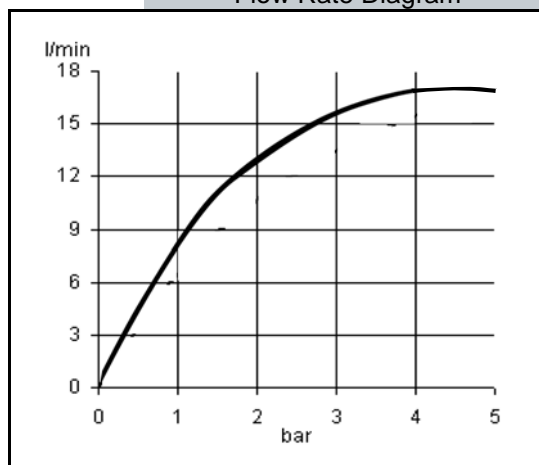
Product Picture



Dimensional Drawing



Flow Rate Diagram



**KLUDI**  
**RAK**

Product : PRISM - Bath and Shower Mixer DN15

Ref : RAK 31005

**Product Description :**

Bath and Shower Mixer  
 Metal Handle  
 Wall Fastening  
 Flow Class - CB  
 Casted Spout  
 Aerator M24 x 1  
 S Unions  
 Automatic Diverter : Shower to bath tub  
 Shower Outlet 1/2 inch  
 Without Shower Set  
 In accordance to ..EN 200

**Advertisement :**

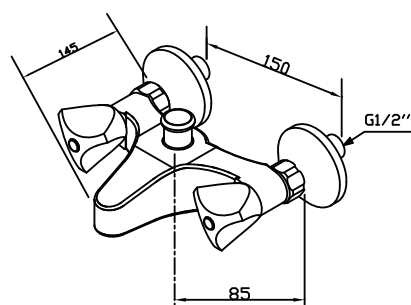
- \* KLUDI RAK LLC item no. RAK31005
- \*\* Chrome plated brass, ..EN 50930-6
- \*\*\* In accordance to ..EN 200
- \*\*\*\* Classic headwork

Bath and Shower Mixer DN15  
 Manufacturer KLUDI - RAK LLC PRISM  
 Item no. RAK31005 DN15. Chrome plated brass,  
 Type : Bath and Shower Mixer DN15,  
 Aerator M 24 x 1C Flow, Classic Headparts.  
 Handle marked red / blue, automatic diverter,  
 shower to bath tub, shower outlet 1/2", wall line heater  
 TRIANGLE Chrome plated handle.

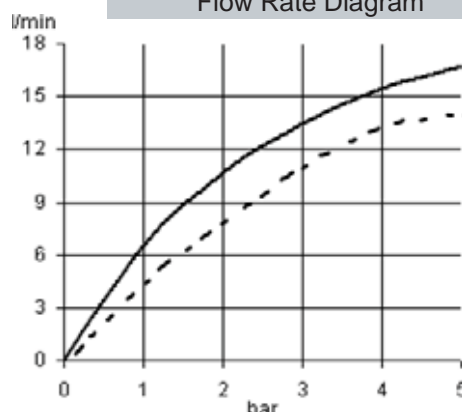
Product Picture



Dimensional Drawing



Flow Rate Diagram



**KLUDI**  


---

**RAK**

**Product :** PREMIER - Dual Controlled Sink Mixer  
DN10 Swivel Spout

**Ref :** RAK 35000

**Product Description :**

Sink Mixer  
Metal Handle  
Flow Class - B  
Swivel Spout  
Aerator M22 X 1  
In accordance to ..EN 200

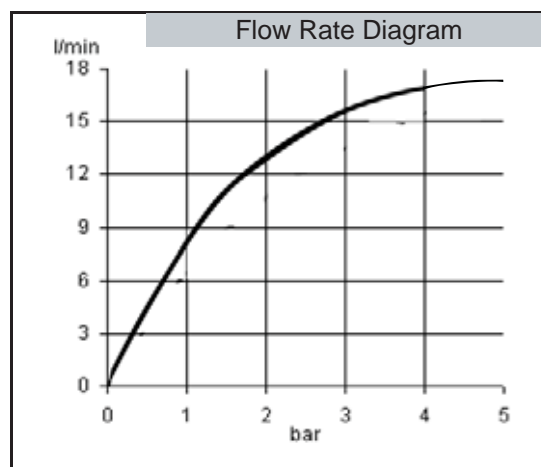
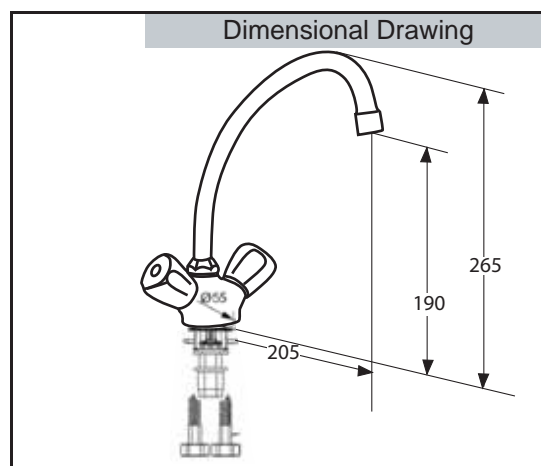
Finishes:  
05 chrome plated



**Advertisement :**

- \* KLUDI RAK LLC item no. RAK35000
- \*\* Chrome plated brass, ..EN 50930-6
- \*\*\* In accordance to ..EN 200
- \*\*\*\* Classic headwork

Sink Mixer DN10, Manufacturer KLUDI - RAK LLC  
Premier Item no. RAK35000 DN10, Chrome plated  
brass, type : Deck mounted Sink Mixer, Swivel Spout,  
Classichead parts handles with marking red / blue.  
For pressure type water heater,  
continuous line heaters



**KLUDI**  
**RAK**

**Product :** PREMIER - Dual Controlled Sink Mixer  
DN10 Swivel Spout

**Ref :** RAK 35000

**Product Description :**

Sink Mixer  
Metal Handle  
Flow Class - B  
Swivel Spout  
Aerator M22 X 1  
In accordance to ..EN 200

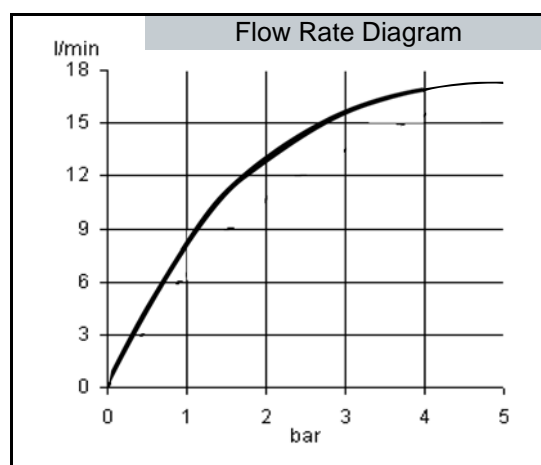
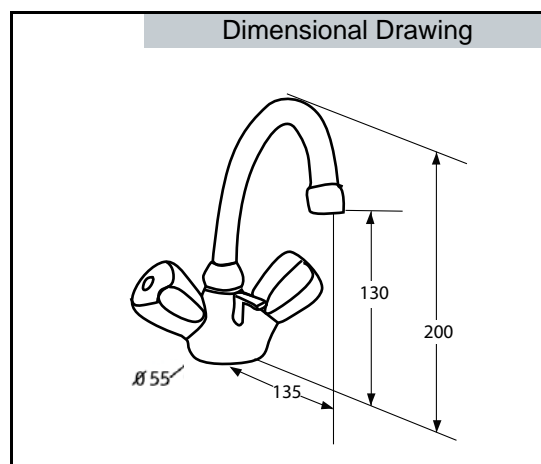
Finishes:  
05 chrome plated



**Advertisement :**

- \* KLUDI RAK LLC item no. RAK35000
- \*\* Chrome plated brass, ..EN 50930-6
- \*\*\* In accordance to ..EN 200
- \*\*\*\* Classic headwork

Sink Mixer DN10, Manufacturer KLUDI - RAK LLC  
Premier Item no. RAK35000 DN10, Chrome plated  
brass, type : Deck mounted Sink Mixer, Swivel Spout,  
Classichead parts handles with marking red / blue.  
For pressure type water heater,  
continuous line heaters



**KLUDI**  
**RAK**

**Product :** PREMIER - Dual Controlled  
Wall Mounted Sink Mixer  
DN15 Swivel Spout

**Ref :** RAK 35001

**Product Description :**

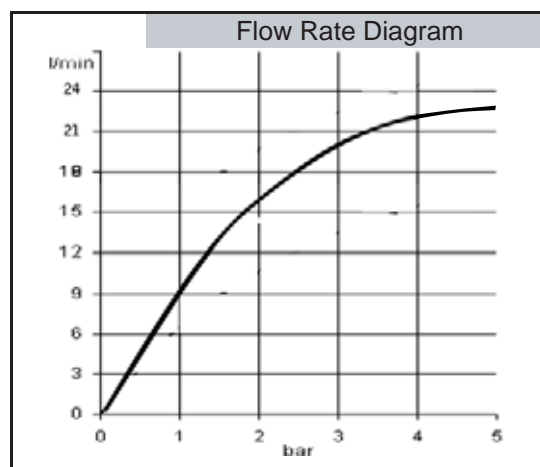
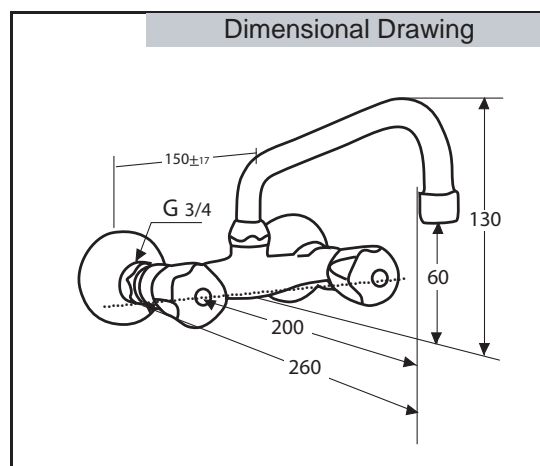
Sink Wall Mixer  
Metal Handle  
Flow Class - B  
Wall Fastening  
Outlet Union 3/4 inch  
S Unions  
Swivel Spout  
Aerator M22 X 1  
In accordance to ..EN 200

Finishes:  
05 chrome plated

**Advertisement :**

- \* KLUDI RAK LLC item no. RAK35001
- \*\* Chrome plated brass, ..EN 50930-6
- \*\*\* In accordance to ..EN 200
- \*\*\*\* Classic headwork

Sink Mixer DN15, Manufacturer KLUDI - RAK LLC  
Premier item no. RAK35001, Chrome plating brass,  
Type : Sink Wall Mixer DN15, Swivel Spout  
Flow class B, Classic Hand Parts, Handles with  
marking red / blue, outlet union 3/4 inch.  
Cover plate 70mm, for pressure type water heater,  
for continuous line heater, Terralux handle  
Chrome plated metal.



**KLUDI**  
**RAK**

**Product :** PREMIER - Dual Controlled  
Wall Mounted Sink Mixer  
DN15 Swivel Spout

**Ref :** RAK 35001

**Product Description :**

Sink Wall Mixer  
Metal Handle  
Flow Class - B  
Wall Fastening  
Outlet Union 3/4 inch  
S Unions  
Swivel Spout  
Aerator M22 X 1  
In accordance to ..EN 200

Finishes:  
05 chrome plated

**Advertisement :**

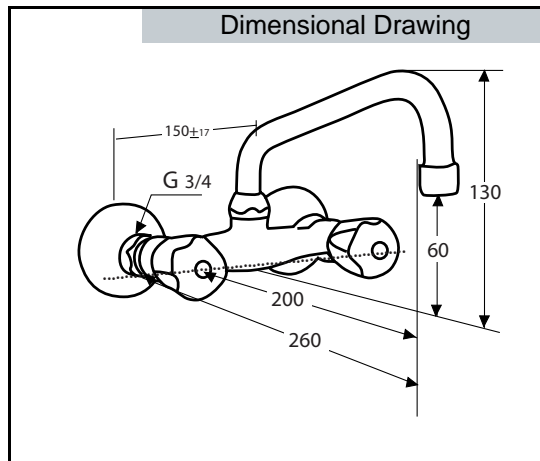
- \* KLUDI RAK LLC item no. RAK35001
- \*\* Chrome plated brass, ..EN 50930-6
- \*\*\* In accordance to ..EN 200
- \*\*\*\* Classic headwork

Sink Mixer DN15, Manufacturer KLUDI - RAK LLC  
Premier item no. RAK35001, Chrome plating brass,  
Type : Sink Wall Mixer DN15, Swivel Spout  
Flow class B, Classic Hand Parts, Handles with  
marking red / blue, outlet union 3/4 inch.  
Cover plate 70mm, for pressure type water heater,  
for continuous line heater, Terralux handle  
Chrome plated metal.

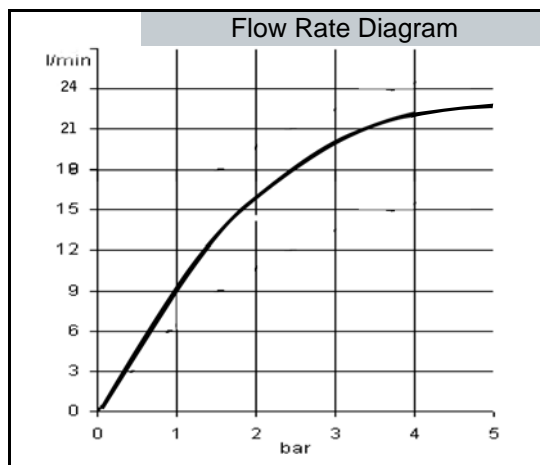
Product Picture



Dimensional Drawing



Flow Rate Diagram



**KLUDI**  
**RAK**

Product : PREMIER - Bibcock DN15

Ref : RAK 35002

Product Description :

Bibcock  
Metal Handle  
Wall Fastening  
Hose union  
Marked : Blue

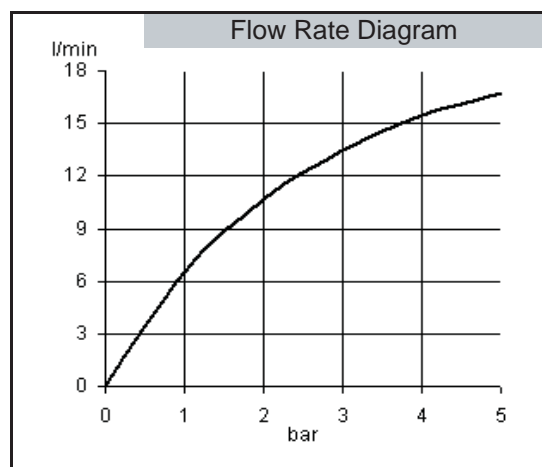
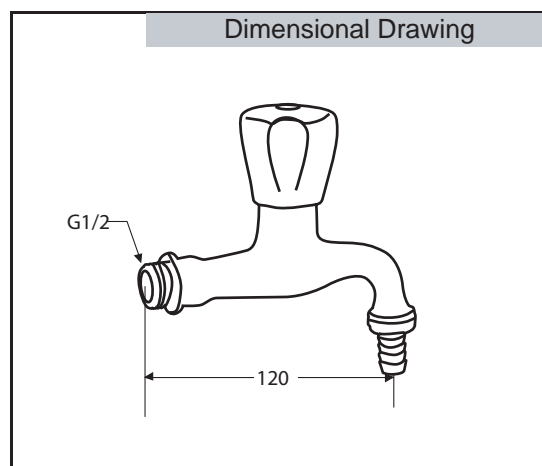
Finishes:  
05 chrome plated



Advertisement :

- \* KLUDI RAK LLC item no. RAK35002
- \*\* Chrome plated brass, ..EN 50930-6
- \*\*\* In accordance to ..EN 200
- \*\*\*\* Classic headwork

Bibcock DN15, manufacturer KLUDI - RAK LLC  
Premier RAK35001, DN15, chrome plated brass,  
type : bibcock, handle projection 50mm, hose union,  
flow class B ( max. 0.425 l/s), classic headpart,  
handle marked : blue, thread connection 1/2 inch  
handle Terralux chrome plated metal.



**KLUDI**  
**RAK**



Product : PREMIER - Pillar tap DN15

Ref : RAK 35003

Product Description :

Premier Pillar tap  
Metal Handle  
Single Hole Mounted  
Flow Class B  
Marked : Blue  
in accordance to ...EN200

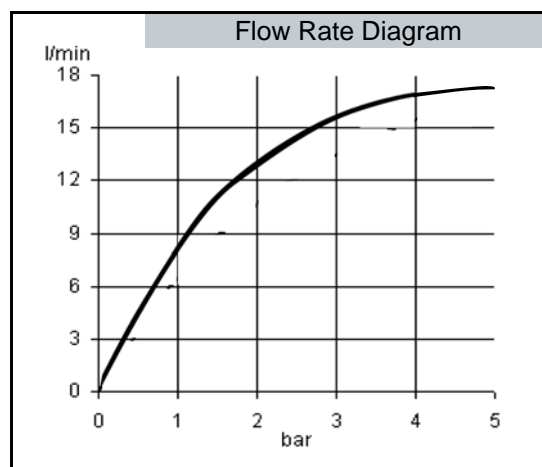
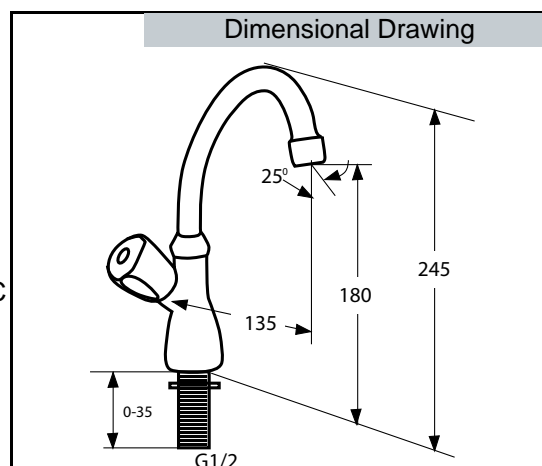
Finishes:  
05 chrome plated



Advertisement :

- \* KLUDI RAK LLC item no. RAK35003
- \*\* Chrome plated brass, ..EN 50930-6
- \*\*\* In accordance to ..EN 200
- \*\*\*\* Classic headwork

Premier Pillar Tap DN15, Manufacturer KLUDI-RAK LLC  
Premier item no. RAK35003 DN15. Chrome Plated  
Brass, stand pillar tap DN15, Swivel spout, aerator  
M22 x 1 back nut fixing, classin head work.  
Marked : blue, thread connection 1/2" with cap nut  
Handle Terralux Chrome plated metal.



**KLUDI**  
**RAK**

Product : PREMIER - Pillar tap DN15

Ref : RAK 35003

**Product Description :**

Premier Pillar tap  
 Metal Handle  
 Single Hole Mounted  
 Flow Class B  
 Marked : Blue  
 in accordance to ...EN200

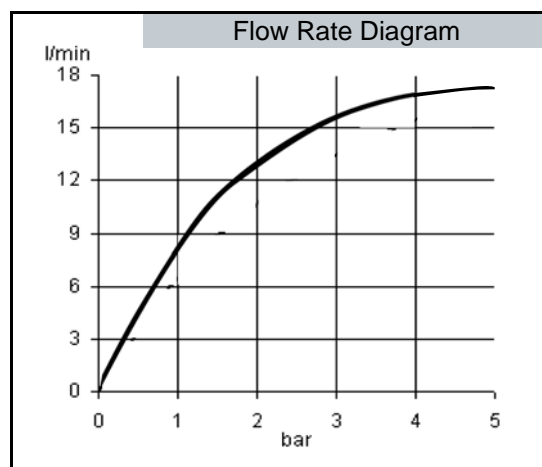
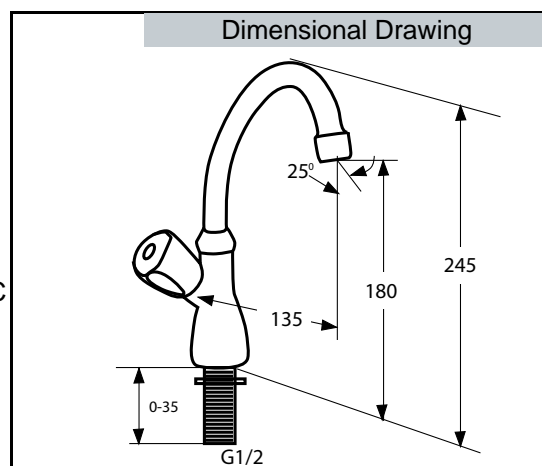
Finishes:  
 05 chrome plated



**Advertisement :**

- \* KLUDI RAK LLC item no. RAK35003
- \*\* Chrome plated brass, ..EN 50930-6
- \*\*\* In accordance to ..EN 200
- \*\*\*\* Classic headwork

Premier Pillar Tap DN15, Manufacturer KLUDI-RAK LLC  
 Premier item no. RAK35003 DN15. Chrome Plated  
 Brass, stand pillar tap DN15, Swivel spout, aerator  
 M22 x 1 back nut fixing, classin head work.  
 Marked : blue, thread connection 1/2" with cap nut  
 Handle Terralux Chrome plated metal.



**KLUDI**  
**RAK**

**Product** PREMIER - Dual controlled Basin Mixer  
DN10 Swivel Spout

**Ref** RAK35004

**Product Description**

Basin Mixer  
Metal Handle  
Single Hole Mounted  
flow Class - B  
swivel spout  
aerator M22 X 1  
Flexible Hose DN10  
In accordance to ..EN 200

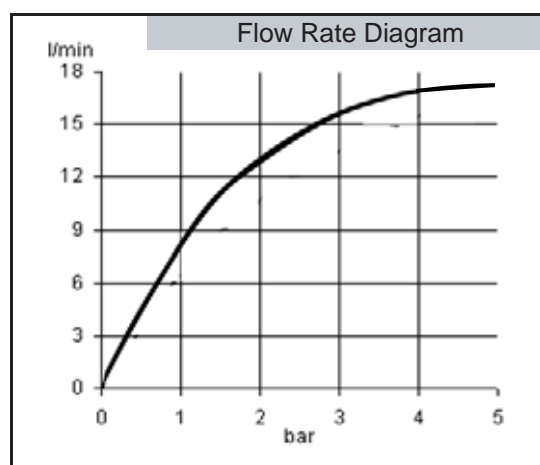
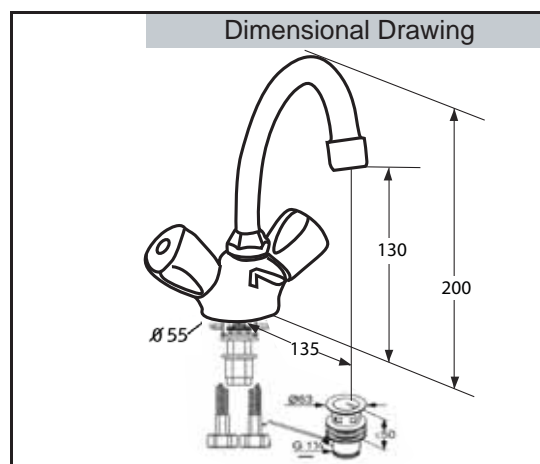
Finishes:  
05 chrome plated



**Advertisement**

- \* KLUDI RAK LLC item no. RAK35004
- \*\* Chrome plated brass, ..EN 50930-6
- \*\*\* In accordance to ..EN 200
- \*\*\*\* Classic headwork

Basin Mixer DN10, Manufacturer KLUDI - RAK LLC  
Premier item no. RAK35004, type : Basin Mixer,  
swivel spout, classic Head Parts, handles marked  
red / blue, pop up waste 1 1/4"  
for pressure type water heater, for continuous line  
heater, handle Terralux Chrome Plated metal.



**KLUDI**  
**RAK**

**Product** PREMIER - Dual Controlled Basin Mixer  
DN15 Swivel Spout

**Ref** RAK35004-01

**Product Description**

Basin Mixer  
Metal Handle  
Single Hole Mounted  
flow Class - B  
swivel Spout  
aerator M22 X 1  
flexible hose DN15  
In accordance to EN 200

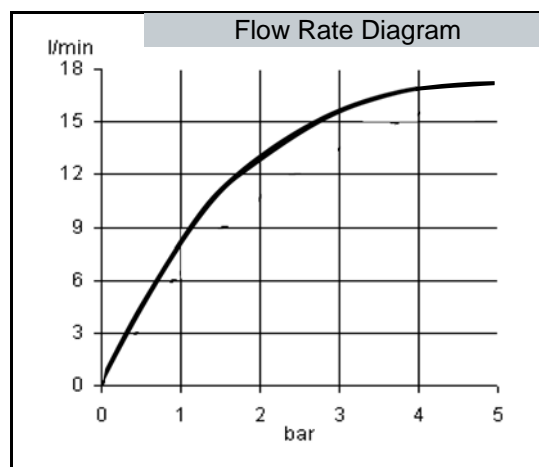
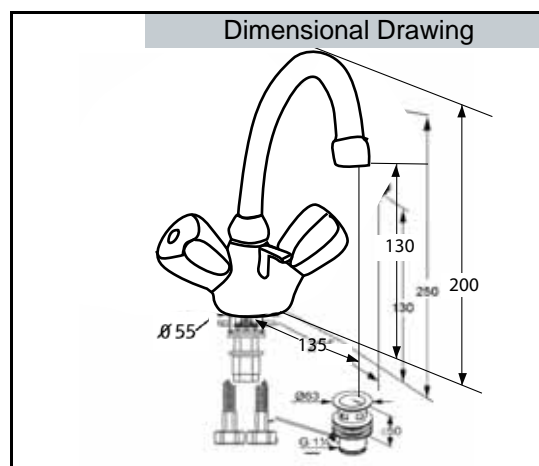
Finishes:  
05 chrome plated



**Advertisement**

- \* KLUDI RAK LLC item no. RAK35004-01
- \*\* chrome plated brass, EN 50930-6
- \*\*\* In accordance to ..EN 200
- \*\*\*\* classic headwork

Basin Mixer DN15, Manufacturer KLUDI - RAK LLC  
Premier item no. RAK35004-01, type : Basin Mixer,  
swivel spout, classic Head Parts, handles marked  
red / blue, pop up waste 1 1/4"  
For pressure type water heater, for continuous line  
heater, handle Terralux Chrome Plated metal.



**KLUDI**  
**RAK**

**Product :** PREMIER - Dual Controlled bath and Shower mixer DN15

**Ref :** RAK 35005

**Product Description :**

Bath and Shower Mixer

Metal Handle

Wall Fastening

Flow Class CB

Cased Spout

Aerator M24X1

S Unions

Automatic Diverter : Shower to bath tub

Shower Outlet 1/2 inch

Without shower set

in accordance to ...EN200

Finishes:

05 chrome plated

**Advertisement :**

\* KLUDI RAK LLC item no. RAK35005

\*\* Chrome plated brass, ..EN 50930-6

\*\*\* In accordance to ..EN 200

\*\*\*\* Classic headparts

Bath and Shower Mixer DN15

Manufacturer KLUDI -RAK LLC, Premier Item no.

RAK35005 Chrome plated brass, type : Bath and

Shower DN15, Aerator M24x1, flow Class -CB

S Unions 1/2x3/4 inch.

Classic Headparts, handle marked red / blue,

automatic diverter shower to bath tub, shower outlet

1/2 inch, wall flange 70mm, for pressure type water

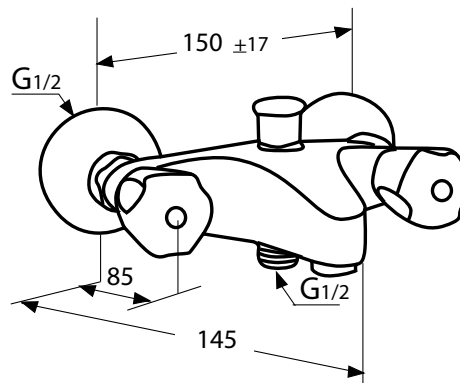
heater, for continuous line heater, Terralux handle

chrome plated metal.

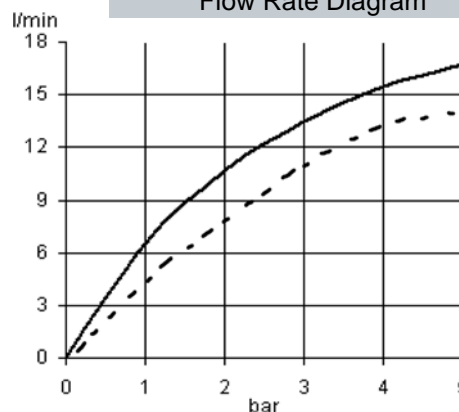
Product Picture



Dimensional Drawing



Flow Rate Diagram



**KLUDI**  
**RAK**

Product: **PRIME 2 S Shower-Duo DN 15**

Ref.: **6057605-00**

**Product description**

**L = 600**  
 Wall bar with floating slider and shower hose shower hose G 1/2" x G 1/2" x 1600 mm with conical nuts, Hand-held shower with quick lime deposit cleaning system, jet kind: rain shower, soft spray connection G 1/2"  
 Thermostatic shower mixer DN 15 wall fastening, flow class B, temperature control handle with hot water safety device 38°C, with ceramic shut-off valve 90°, protected against back flow, dirt-catcher sieve

Finishes:  
 05 chrome plated

**Advertisement**

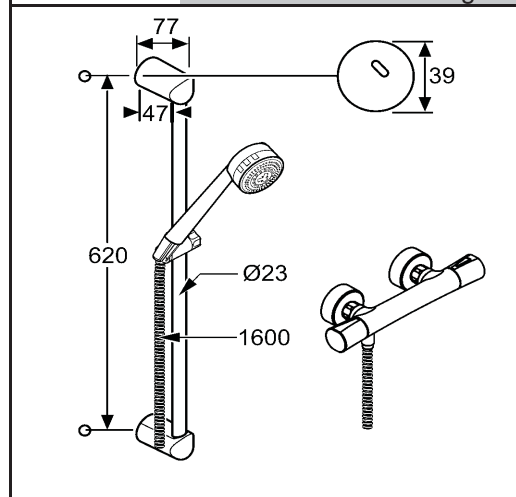
- \* KLUDI RAK LLC Shower-Duo DN 15 item no. 6057605-00
- \*\* chrome plated brass/plastic
- \*\*\* handshower in acc. to DIN EN 1112
- \*\*\*\* thermostatic shower mixer in acc. To DIN EN 1111

2 S Shower-Duo, manufacturer KLUDI RAK LLC item no. 6057605-00, 2 S Shower-Duo with horizontal and vertical adjustable slider, Wall bar chrome plated brass/plastic, length 600 mm, for borehole distance 620 mm, sliding bar with pipe diameter 23 mm, with shower hose G 1/2" x G 1/2" x 1600 mm with conical nuts, with Hand-held shower 2 S, DN 15, chrome plated plastic, noise level DIN EN 4109 Group I, without report no., flow class B (max. 0,33 l/s), with quick lime deposit cleaning system, jet kind: rain shower / soft spray, for pressure type water heater, for continuous line heater (at 0,15 l/s), connection G 1/2", diameter shower head Ø 84 mm, length 230 mm, for using with water pressure 1 - 5 bar, thermostat shower mixer DN 15, chrome plated brass, ceramic headpart 90°, handles chrome plated plastic, noise level DIN EN 4109 group I, report no. P- IX 18064/IB, temperature control handle with hot water safety device 38°C, type: thermostat shower mixer DN 15, flow class B (max. 0,42 l/s), with shower outlet 1/2 inch, protected against back flow DIN EN 1717, S-unions 1/2 x 3/4 inch, with dirt-catcher sieve, projection shower outlet 80 mm, breadth 311 mm, for pressure type water heater, for continuous line heater,

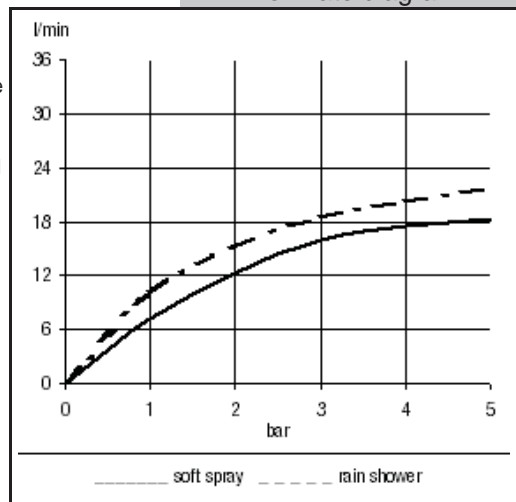
**Product picture**



**Dimensional drawing**



**Flow rate diagram**



**KLUDI**  
**RAK**

Product: **PRIME 2 S Shower-Duo DN 15**

Ref.: **6057705-00**

**Product description**

**L = 900**

Wall bar with floating slider and shower hose shower hose G 1/2" x G 1/2" x 1600 mm with conical nuts, Hand-held shower with quick lime deposit cleaning system, jet kind: rain shower, soft spray connection G 1/2"

Finishes:  
05 chrome plated

Thermostatic shower mixer DN 15 wall fastening, flow class B, temperature control handle with hot water safety device 38°C, with ceramic shut-off valve 90°, protected against back flow, dirt-catcher sieve

**Advertisement**

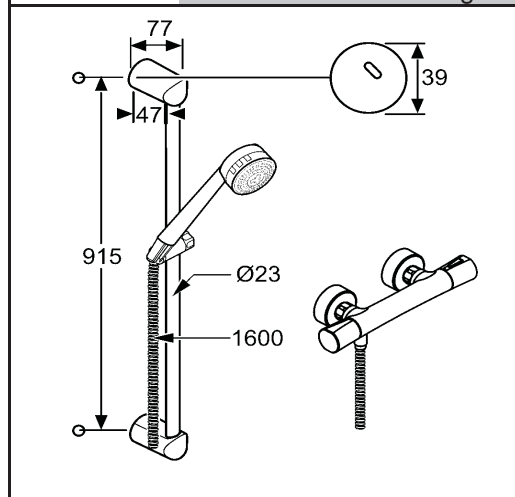
- \* KLUDI RAK LLC Shower-Duo DN 15 item no. 6057705-00
- \*\* chrome plated brass/plastic
- \*\*\* handshower in acc. to DIN EN 1112
- \*\*\*\* thermostatic shower mixer in acc. To DIN EN 1111

2 S Shower-Duo, manufacturer KLUDI RAK LLC item no. 6057705-00, 2 S Shower set with horizontal and vertical adjustable slider, Wall bar chrome plated brass/plastic, length 900 mm, for borehole distance 915 mm, sliding bar with pipe diameter 23 mm, with shower hose G 1/2" x G 1/2" x 1600 mm with conical nuts, with Hand-held shower 2 S, DN 15, chrome plated plastic, noise level DIN EN 4109 Group I, without report no., flow class B (max. 0,33 l/s), with quick lime deposit cleaning system, jet kind: rain shower / soft spray, for pressure type water heater, for continuous line heater (at 0,15 l/s), connection G 1/2", diameter shower head Ø 84 mm, length 230 mm, for using with water pressure 1 - 5 bar, thermostat shower mixer DN 15, chrome plated brass, ceramic headpart 90°, handles chrome plated plastic, noise level DIN EN 4109 group I, report no. P- IX 18064/IB, temperature control handle with hot water safety device 38°C, type: thermostat shower mixer DN 15, flow class B (max. 0,42 l/s), with shower outlet 1/2 inch, protected against back flow DIN EN 1717, S-unions 1/2 x 3/4 inch, with dirt-catcher sieve, projection shower outlet 80 mm, breadth 311 mm, for pressure type water heater, for continuous line heater,

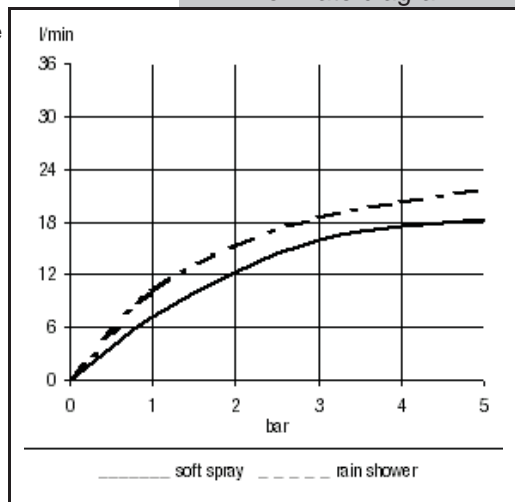
Product picture



Dimensional drawing



Flow rate diagram



**KLUDI**  
**RAK**



Product: **PRIME 1 S Hand-held shower DN 15**

Ref.: **6060005-00**

**Product description**

Hand-held shower  
with quick lime  
deposit cleaning system  
jet kind: rain shower  
connection G 1/2"

Finishes:  
05 chrome plated

**Advertisement**

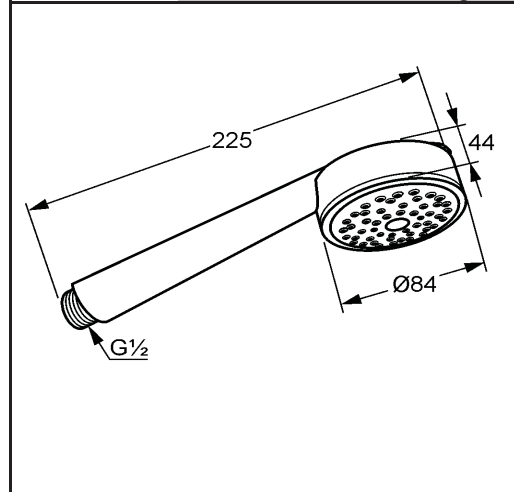
- \* KLUDI RAK LLC Hand-held shower 1 S  
item no. 6060005-00
- \*\* chrome plated plastic
- \*\*\* in acc. to DIN EN 1112

Hand-held shower 1 S, manufacturer KLUDI RAK LLC item no. 6060005-00, DN 15 chrome plated plastic, noise level DIN EN 4109 Group I, without report no., flow class B (max. 0,33 l/s), with quick lime deposit cleaning system, jet kind: rain shower, for pressure type water heater, for continuous line heater (at 0,15 l/s), connection G 1/2", diameter shower head Ø 84 mm, length 225 mm, for using with water pressure 1 - 5 bar,

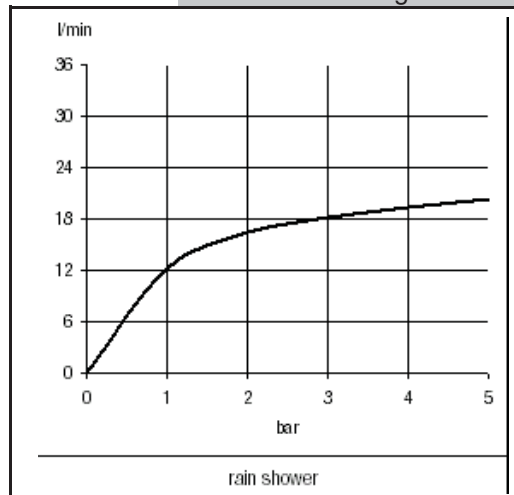
**Product picture**



**Dimensional drawing**



**Flow rate diagram**



**KLUDI**  
**RAK**

Product: **PRIME Wall bar**

Ref.: **6061005-00**

Product description

L = 600

Wall bar with floating slider and shower hose

shower hose G 1/2" x G 1/2" x 1500 mm with conical nuts

Finishes:  
05 chrome plated

Advertisement

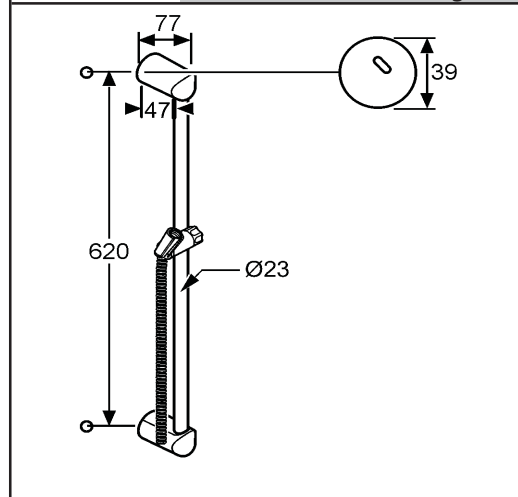
- \* KLUDI RAK LLC Wall bar item no. 6061005-00
- \*\* chrome plated brass / plastic

Wall bar, manufacturer KLUDI RAK LLC item no. 6061005-00, Wall bar with horizontal and vertical adjustable slider, Wall bar chrome plated brass/plastic, length 600 mm, for borehole distance 620 mm, sliding bar with pipe diameter 23 mm, with shower hose G 1/2" x G 1/2" x 1500 mm with conical nuts,

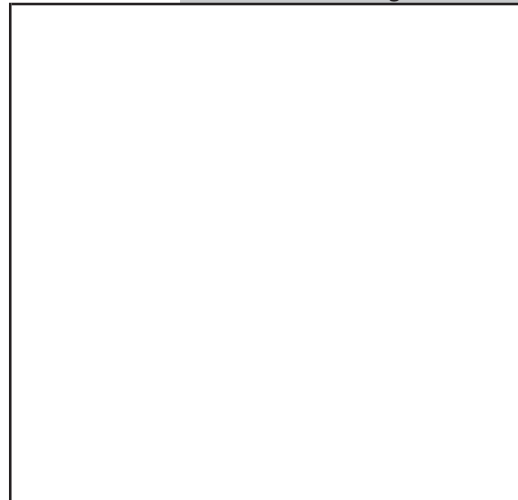
Product picture



Dimensional drawing



Flow rate diagram



Product: **PRIME Wall bar**

Ref.: **6062005-00**

Product description

L = 900

Wall bar with floating  
slider and shower hose

shower hose G 1/2" x G 1/2" x 1500 mm  
with conical nuts

Finishes:  
05 chrome plated

Advertisement

\* KLUDI RAK LLC Wall bar item no. 6062005-00

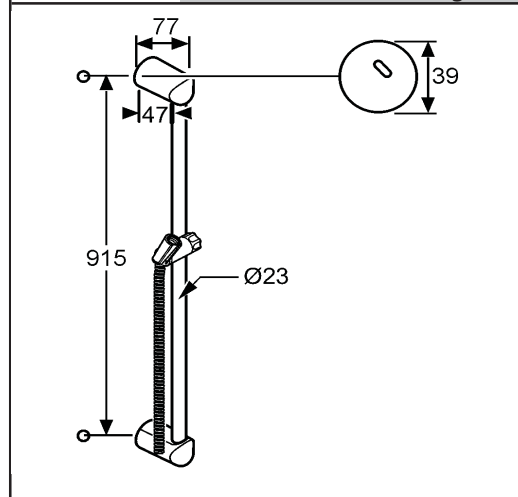
\*\* chrome plated brass / plastic

Wall bar, manufacturer KLUDI RAK LLC item no. 6062005-00, Wall bar with horizontal and vertical adjustable slider, Wall bar chrome plated brass/plastic, length 900 mm, for borehole distance 915 mm, sliding bar with pipe diameter 23 mm, with shower hose G 1/2" x G 1/2" x 1500 mm with conical nuts,

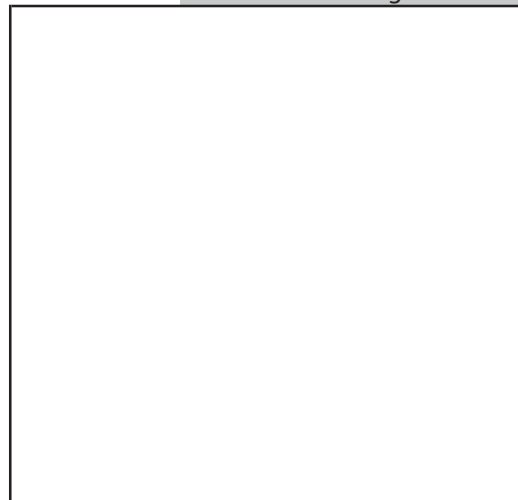
Product picture



Dimensional drawing



Flow rate diagram



Product: **PRIME 1 S Shower set DN 15**

Ref.: **6063005-00**

**Product description**

L = 600

Wall bar with floating

slider and shower hose

shower hose G 1/2" x G 1/2" x 1500 mm

with conical nuts

Hand-held shower

with quick lime

deposit cleaning system

jet kind: rain shower

connection G 1/2"

Finishes:

05 chrome plated

**Advertisement**

\* KLUDI RAK LLC 1 S Shower set  
item no. 6063005-00

\*\* chrome plated brass/plastic

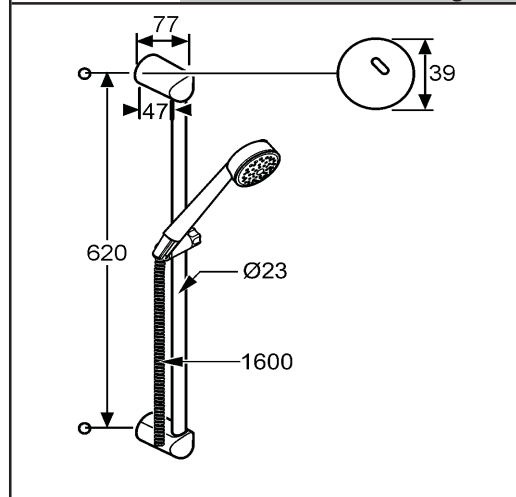
\*\*\* handshower in acc. to DIN EN 1112

1 S Shower set, manufacturer KLUDI RAK LLC item no. 6063005-00, 1 S Shower set with horizontal and vertical adjustable slider, Wall bar chrome plated brass/plastic, length 600 mm, for borehole distance 620 mm, sliding bar with pipe diameter 23 mm, with shower hose G 1/2" x G 1/2" x 1500 mm with conical nuts, with Hand-held shower 1 S, DN 15, chrome plated plastic, noise level DIN EN 4109 Group I, without report no., flow class B (max. 0,33 l/s), with quick lime deposit cleaning system, jet kind: rain shower, for pressure type water heater, for continuous line heater (at 0,15 l/s), connection G 1/2", diameter shower head Ø 84 mm, length 225 mm, for using with water pressure 1 - 5 bar,

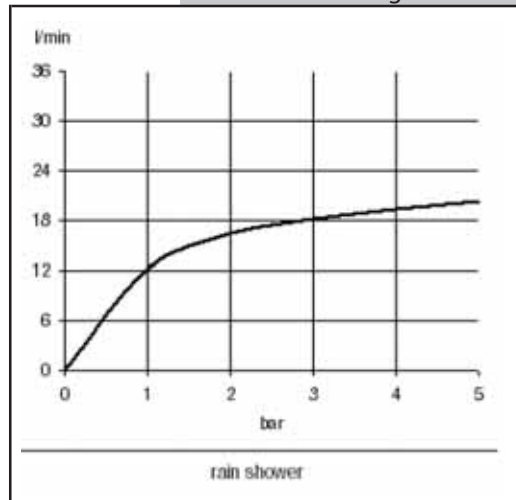
**Product picture**



**Dimensional drawing**



**Flow rate diagram**



**KLUDI**  
**RAK**

Product: **PRIME 1 S Shower set DN 15**

Ref.: **6064005-00**

**Product description**

L = 900

Wall bar with floating

slider and shower hose

shower hose G 1/2" x G 1/2" x 1500 mm

with conical nuts

Hand-held shower

with quick lime

deposit cleaning system

jet kind: rain shower

connection G 1/2"

Finishes:

05 chrome plated

**Advertisement**

\* KLUDI RAK LLC 1 S Shower set  
item no. 6064005-00

\*\* chrome plated brass/plastic

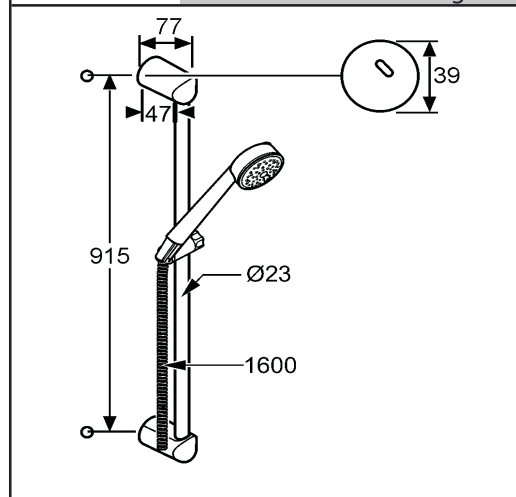
\*\*\* handshower in acc. to DIN EN 1112

1 S Shower set, manufacturer KLUDI RAK LLC item no. 6064005-00, 1 S Shower set with horizontal and vertical adjustable slider, Wall bar chrome plated brass/plastic, length 900 mm, for borehole distance 915 mm, sliding bar with pipe diameter 23 mm, with shower hose G 1/2" x G 1/2" x 1500 mm with conical nuts, with Hand-held shower 1 S, DN 15, chrome plated plastic, noise level DIN EN 4109 Group I, without report no., flow class B (max. 0,33 l/s), with quick lime deposit cleaning system, jet kind: rain shower, for pressure type water heater, for continuous line heater (at 0,15 l/s), connection G 1/2", diameter shower head Ø 84 mm, length 225 mm, for using with water pressure 1 - 5 bar,

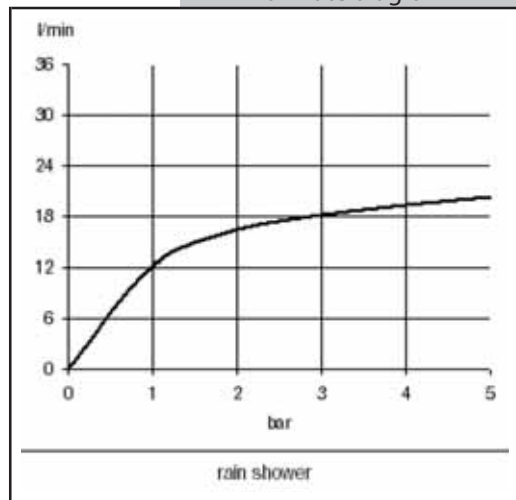
**Product picture**



**Dimensional drawing**



**Flow rate diagram**



**KLUDI**  
**RAK**

Product: **PRIME 1 S Bathtub set DN 15**

Ref.: **6065005-00**

**Product description**

Hand-held shower  
with quick lime  
deposit cleaning system  
jet kind: rain shower  
connection G 1/2"  
shower hose G 1/2" x G 1/2" x 1500 mm  
with conical nuts  
fixed wall hook with screws and dowels

Finishes:  
05 chrome plated

**Advertisement**

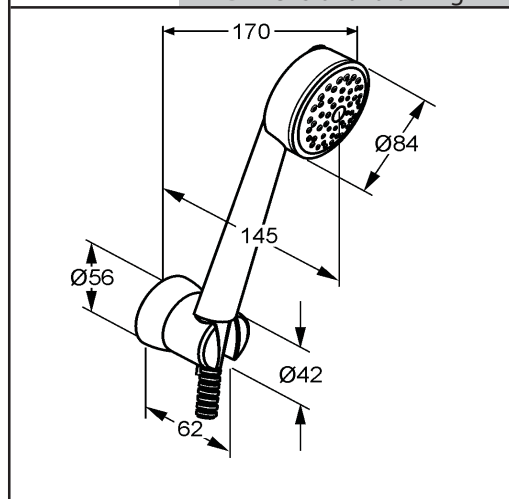
- \* KLUDI RAK LLC Bathtub set 1 S  
item no. 6065005-00
- \*\* chrome plated brass/plastic
- \*\*\* handshower in acc. to DIN EN 1112

Bathtub set 1 S, manufacturer KLUDI RAK LLC item no. 6065005-00, DN 15 chrome plated plastic, noise level DIN EN 4109 Group I, without report no., flow class B (max. 0,33 l/s), with quick lime deposit cleaning system, jet kind: rain shower, for pressure type water heater, for continuous line heater (at 0,15 l/s), connection G 1/2", diameter shower head Ø 84 mm, length 225 mm, for using with water pressure 1 - 5 bar, with shower hose G 1/2" x G 1/2" x 1500 mm with conical nuts, with fixed wall hook with screws and dowels,

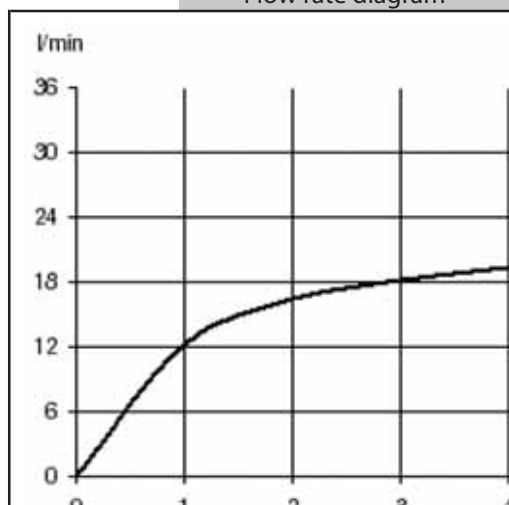
Product picture



Dimensional drawing



Flow rate diagram



**KLUDI**  
**RAK**

Product: **PRIME 2 S Hand-held shower DN 15**

Ref.: **6070005-00**

**Product description**

Hand-held shower  
with quick lime  
deposit cleaning system  
jet kind: rain shower, soft spray  
connection G 1/2"

Finishes:  
05 chrome plated

**Advertisement**

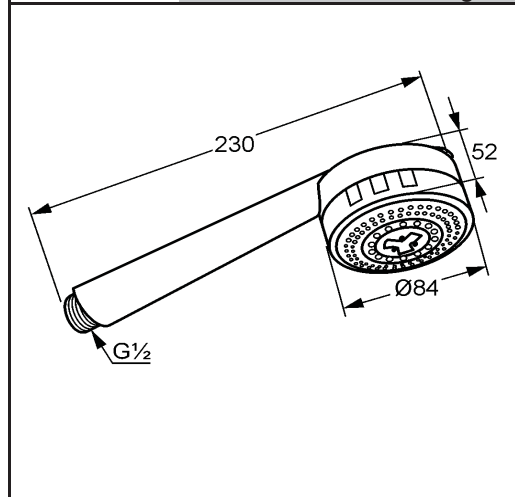
- \* KLUDI RAK LLC Hand-held shower 2 S  
item no. 6070005-00
- \*\* chrome plated brass/plastic
- \*\*\* in acc. to DIN EN 1112

Hand-held shower 2 S, manufacturer KLUDI RAK LLC item no. 6070005-00, DN 15 chrome plated plastic, noise level DIN EN 4109 Group I, without report no., flow class B (max. 0,33 l/s), with quick lime deposit cleaning system, jet kind: rain shower / soft spray, for pressure type water heater, for continuous line heater (at 0,15 l/s), connection G 1/2", diameter shower head Ø 84 mm, length 230 mm, for using with water pressure 1 - 5 bar,

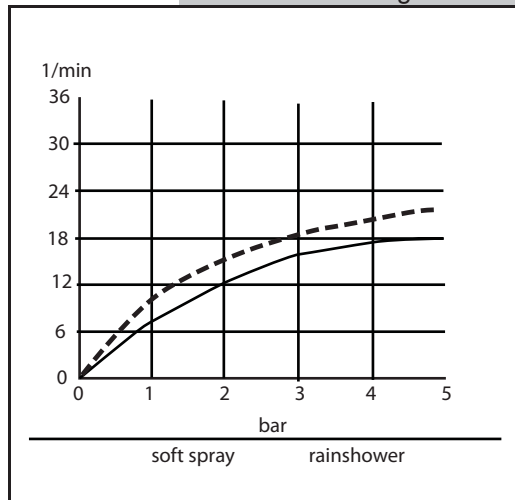
**Product picture**



**Dimensional drawing**



**Flow rate diagram**



**KLUDI**  
**RAK**



Product: **PRIME 2 S Shower set DN 15**

Ref.: **6073005-00**

**Product description**

L = 600  
 Wall bar with floating  
 slider and shower hose  
 shower hose G 1/2" x G 1/2" x 1500 mm  
 with conical nuts  
 Hand-held shower  
 with quick lime  
 deposit cleaning system  
 jet kind: rain shower, soft spray  
 connection G 1/2"

Finishes:  
 05 chrome plated

**Advertisement**

- \* KLUDI RAK LLC 2 S Shower set  
 item no. 6073005-00
- \*\* chrome plated brass/plastic
- \*\*\* handshower in acc. to DIN EN 1112

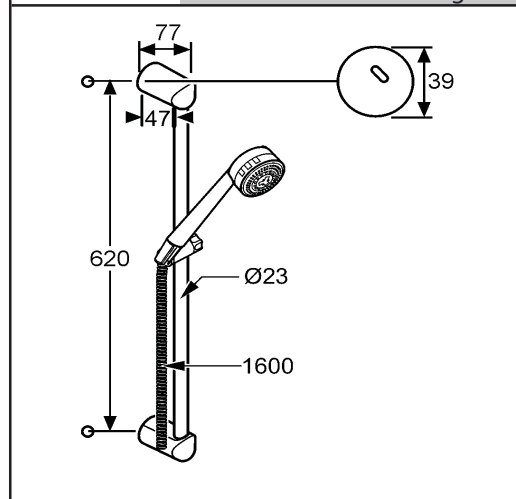
2 S Shower set, manufacturer KLUDI RAK LLC item no. 6073005-00, 2 S Shower set with horizontal and vertical adjustable slider, Wall bar chrome plated brass/plastic, length 600 mm, for borehole distance 620 mm, sliding bar with pipe diameter 23 mm, with shower hose G 1/2" x G 1/2" x 1500 mm with conical nuts, with Hand-held shower 2 S, DN 15, chrome plated plastic, noise level DIN EN 4109 Group I, without report no., flow class B (max. 0,33 l/s), with quick lime deposit cleaning system, jet kind: rain shower / soft spray, for pressure type water heater, for continuous line heater (at 0,15 l/s), connection G 1/2", diameter shower head Ø 84 mm, length 230 mm, for using with water pressure 1 - 5 bar,

**KLUDI**  
**RAK**

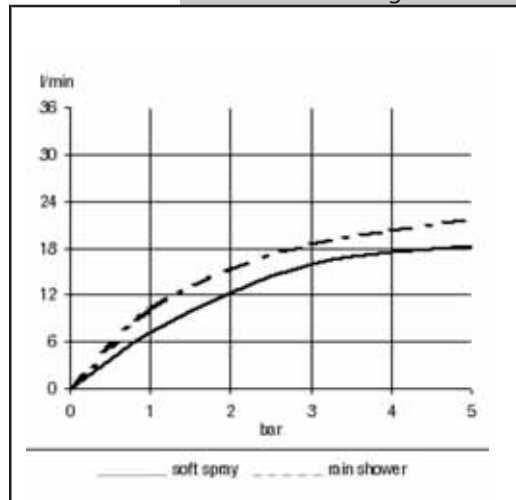
**Product picture**



**Dimensional drawing**



**Flow rate diagram**



Product: **PRIME 2 S Shower set DN 15**

Ref.: **6074005-00**

**Product description**

L = 900

Wall bar with floating slider and shower hose

shower hose G 1/2" x G 1/2" x 1500 mm with conical nuts

Hand-held shower

with quick lime

deposit cleaning system

jet kind: rain shower, soft spray

connection G 1/2"

Finishes:  
05 chrome plated

**Advertisement**

\* KLUDI RAK LLC 2 S Shower set  
item no. 6074005-00

\*\* chrome plated brass/plastic

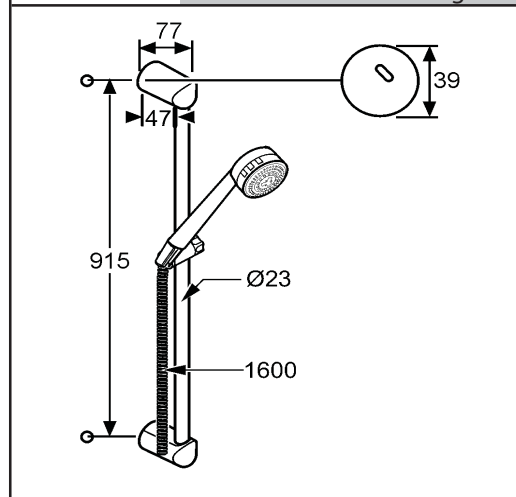
\*\*\* handshower in acc. to DIN EN 1112

2 S Shower set, manufacturer KLUDI RAK LLC item no. 6074005-00, 2 S Shower set with horizontal and vertical adjustable slider, Wall bar chrome plated brass/plastic, length 900 mm, for borehole distance 915 mm, sliding bar with pipe diameter 23 mm, with shower hose G 1/2" x G 1/2" x 1500 mm with conical nuts, with Hand-held shower 2 S, DN 15, chrome plated plastic, noise level DIN EN 4109 Group I, without report no., flow class B (max. 0,33 l/s), with quick lime deposit cleaning system, jet kind: rain shower / soft spray, for pressure type water heater, for continuous line heater (at 0,15 l/s), connection G 1/2", diameter shower head Ø 84 mm, length 230 mm, for using with water pressure 1 - 5 bar,

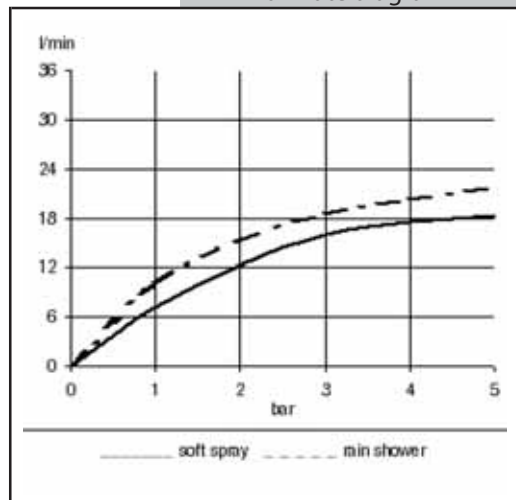
**Product picture**



**Dimensional drawing**



**Flow rate diagram**



**KLUDI**  
**RAK**

Product: **PRIME 2 S Bathtub set DN 15**

Ref.: **6075005-00**

**Product description**

Hand-held shower  
 with quick lime  
 deposit cleaning system  
 jet kind: rain shower, soft spray  
 connection G 1/2"  
 shower hose G 1/2" x G 1/2" x 1500 mm  
 with conical nuts  
 fixed wall hook with screws and dowels

Finishes:  
 05 chrome plated

**Advertisement**

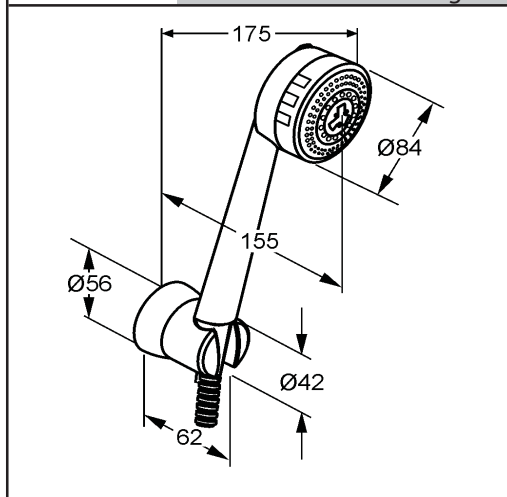
- \* KLUDI RAK LLC Bathtub set 2 S DN 15  
 item no. 6075005-00
- \*\* chrome plated brass/plastic
- \*\*\* handshower in acc. to DIN EN 1112

Bathtub set 2 S, manufacturer KLUDI RAK LLC item no. 6075005-00, DN 15 chrome plated plastic, noise level DIN EN 4109 Group I, without report no., flow class B (max. 0,33 l/s), with quick lime deposit cleaning system, jet kind: rain shower / soft spray, for pressure type water heater, for continuous line heater (at 0,15 l/s), connection G 1/2", diameter shower head Ø 84 mm, length 230 mm, for using with water pressure 1 - 5 bar, with shower hose G 1/2" x G 1/2" x 1500 mm with conical nuts, with fixed wall hook with screws and dowels,

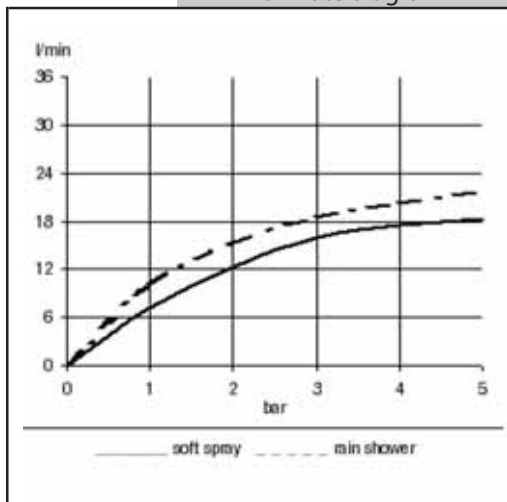
Product picture



Dimensional drawing



Flow rate diagram



**KLUDI**  
**RAK**

Product: **PRIME 3 S Hand-held shower DN 15**

Ref.: **6080005-00**

**Product description**

Hand-held shower  
with quick lime  
deposit cleaning system  
jet kind: rain shower, soft spray, massage spray  
connection G 1/2"

Finishes:  
05 chrome plated

**Advertisement**

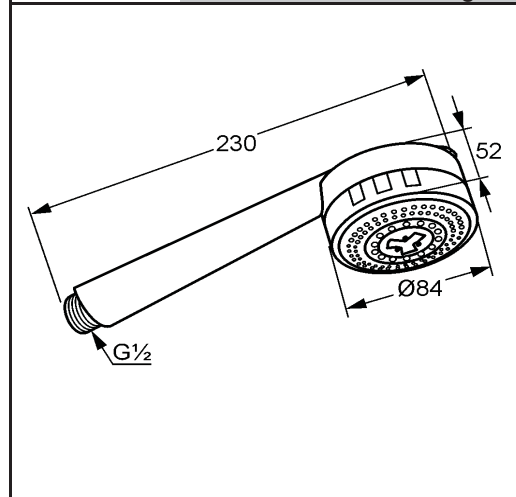
- \* KLUDI RAK LLC Hand-held shower 3 S  
item no. 6080005-00
- \*\* chrome plated brass/plastic
- \*\*\* handshower in acc. to DIN EN 1112

Hand-held shower 3 S, manufacturer KLUDI RAK LLC item no. 6080005-00, DN 15 chrome plated plastic, noise level DIN EN 4109 Group I, without report no., flow class B (max. 0,33 l/s), with quick lime deposit cleaning system, jet kind: rain shower / soft spray / massage spray, for pressure type water heater, for continuous line heater (at 0,15 l/s), connection G 1/2", diameter shower head Ø 84 mm, length 230 mm, for using with water pressure 1 - 5 bar,

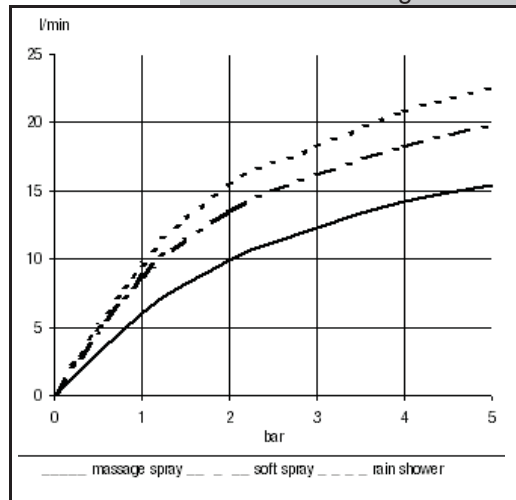
**Product picture**



**Dimensional drawing**



**Flow rate diagram**



**KLUDI**  
**RAK**

Product: **PRIME 3 S Shower set DN 15**

Ref.: **6083005-00**

**Product description**

L = 600  
 Wall bar with floating slider and shower hose  
 shower hose G 1/2" x G 1/2" x 1500 mm with conical nuts  
 Hand-held shower with quick lime deposit cleaning system  
 jet kind: rain shower, soft spray, massage spray  
 connection G 1/2"

Finishes:  
 05 chrome plated

**Advertisement**

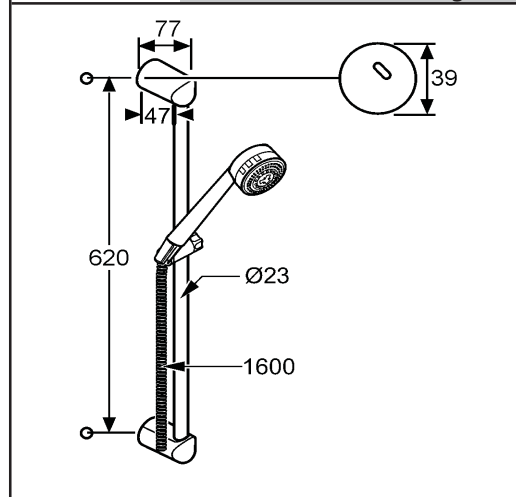
- \* KLUDI RAK LLC 3 S Shower set item no. 6083005-00
- \*\* chrome plated brass/plastic
- \*\*\* handshower in acc. to DIN EN 1112

3 S Shower set, manufacturer KLUDI RAK LLC item no. 6083005-00, 3 S Shower set with horizontal and vertical adjustable slider, Wall bar chrome plated brass/plastic, length 600 mm, for borehole distance 620 mm, sliding bar with pipe diameter 23 mm, with shower hose G 1/2" x G 1/2" x 1500 mm with conical nuts, with Hand-held shower 3 S, DN 15, chrome plated plastic, noise level DIN EN 4109 Group I, without report no., flow class B (max. 0,33 l/s), with quick lime deposit cleaning system, jet kind: rain shower / soft spray / massage spray, for pressure type water heater, for continuous line heater (at 0,15 l/s), connection G 1/2", diameter shower head Ø 84 mm, length 230 mm, for using with water pressure 1 - 5 bar,

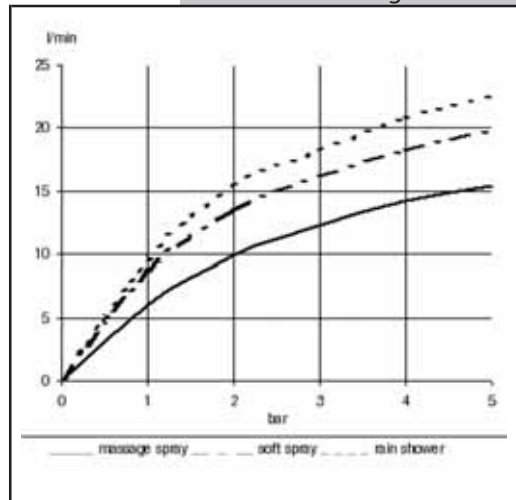
**Product picture**



**Dimensional drawing**



**Flow rate diagram**



**KLUDI**  
**RAK**

Product: **PRIME 3 S Shower set DN 15**

Ref.: **6084005-00**

**Product description**

L = 900  
 Wall bar with floating slider and shower hose  
 shower hose G 1/2" x G 1/2" x 1500 mm with conical nuts  
 Hand-held shower with quick lime deposit cleaning system  
 jet kind: rain shower, soft spray, massage spray  
 connection G 1/2"

Finishes:  
 05 chrome plated

**Advertisement**

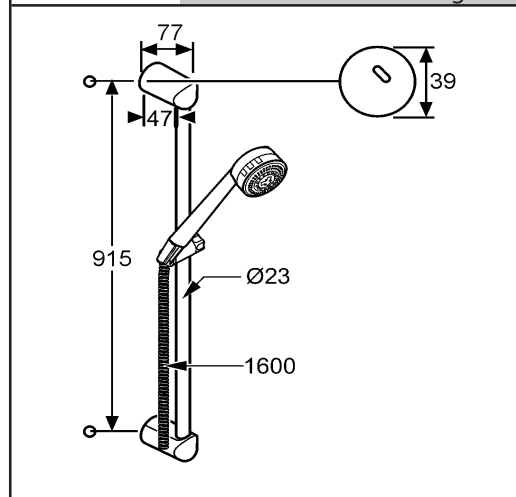
- \* KLUDI RAK LLC 3 S Shower set item no. 6084005-00
- \*\* chrome plated brass/plastic
- \*\*\* handshower in acc. to DIN EN 1112

3 S Shower set, manufacturer KLUDI RAK LLC item no. 6084005-00, 3 S Shower set with horizontal and vertical adjustable slider, Wall bar chrome plated brass/plastic, length 900 mm, for borehole distance 915 mm, sliding bar with pipe diameter 23 mm, with shower hose G 1/2" x G 1/2" x 1500 mm with conical nuts, with Hand-held shower 3 S, DN 15, chrome plated plastic, noise level DIN EN 4109 Group I, without report no., flow class B (max. 0,33 l/s), with quick lime deposit cleaning system, jet kind: rain shower / soft spray / massage spray, for pressure type water heater, for continuous line heater (at 0,15 l/s), connection G 1/2", diameter shower head Ø 84 mm, length 230 mm, for using with water pressure 1 - 5 bar,

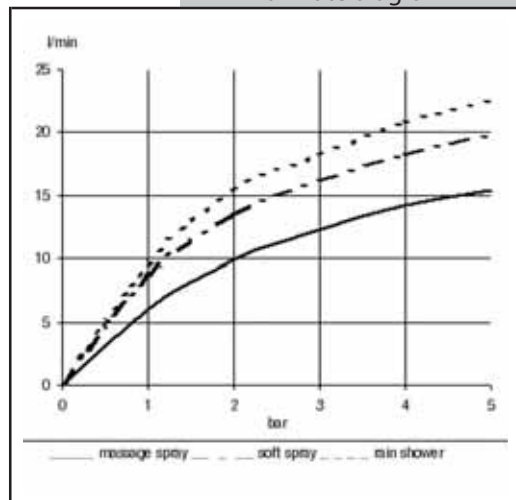
**Product picture**



**Dimensional drawing**



**Flow rate diagram**



**KLUDI**  
**RAK**

Product: **SHOWER wall bar**

Ref.: **6011205-81**

**Product description**

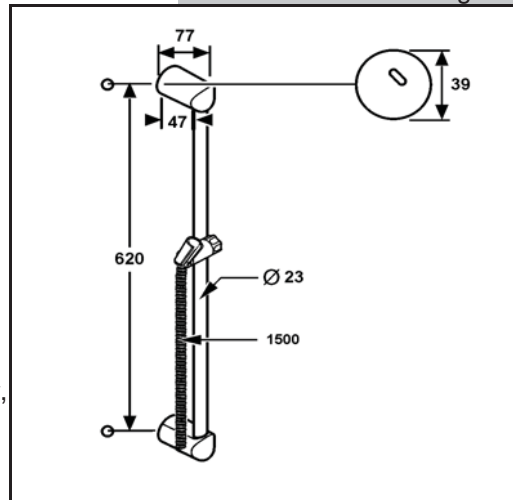
L = 600 mm  
with floating slider and  
Bonaflex hose  
1/2 x 1/2 inch x 1500 mm

Finishes:  
05 chrome plated

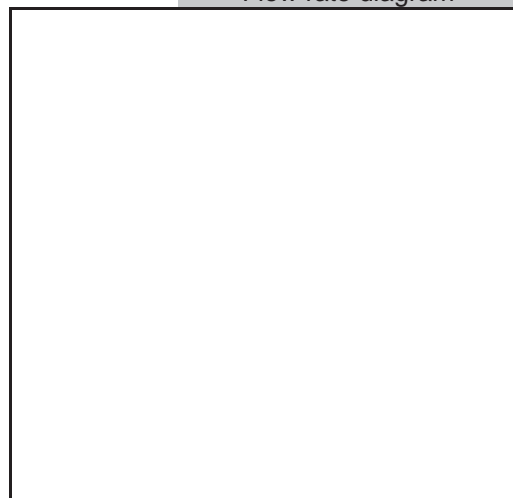
**Product picture**



**Dimensional drawing**



**Flow rate diagram**



**Advertisement**

- \* KLUDI RAK LLC wall bar  
item no. 6011205-81
- \*\* chrome plated brass/plastic
- \*\*\* shower hose in acc. to DIN EN 1113

wall bar, manufacturer KLUDI RAK LLC item no. 6011205-81, chrome plated plastic / brass, length 600 mm, with horizontal and vertical adjustable slider, without handshower, wall bar with pipe diameter 23 mm, for borehole distance 620 mm, with Bonaflex-hose plastic coated, with conical / knurled nut 1/2 x 1/2 inch x 1500 mm,

**KLUDI**  
**RAK**



Product: **SHOWER wall bar**

Ref.: **6012205-81**

**Product description**

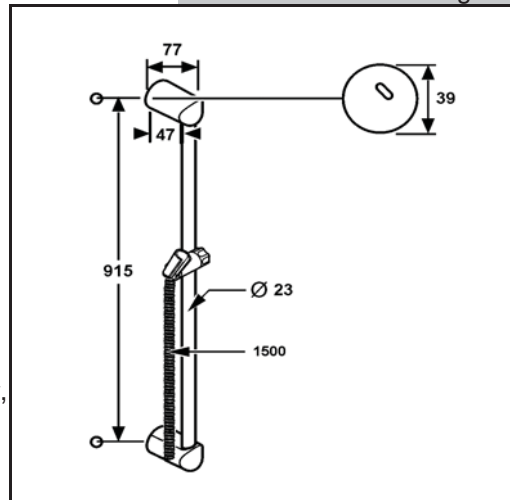
L = 900 mm  
with floating slider and  
Bonaflex hose  
1/2 x 1/2 inch x 1500 mm

Finishes:  
05 chrome plated

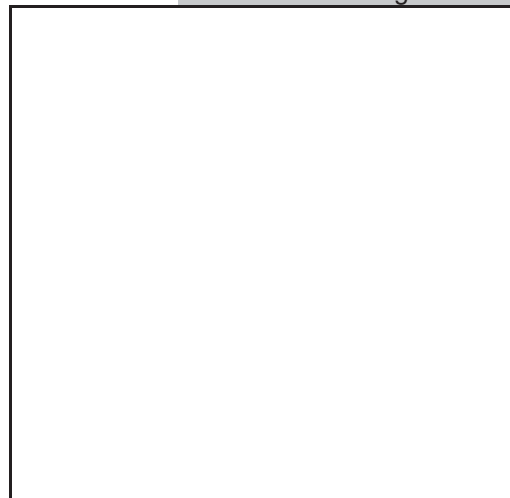
**Product picture**



**Dimensional drawing**



**Flow rate diagram**



**Advertisement**

- \* KLUDI RAK LLC wall bar  
item no. 6012205-81
- \*\* chrome plated brass/plastic
- \*\*\* shower hose in acc. to DIN EN 1113

wall bar, manufacturer KLUDI RAK LLC item no. 6012205-81, chrome plated plastic / brass, length 900 mm, with horizontal and vertical adjustable slider, without handshower, sliding bar with pipe diameter 23 mm, for borehole distance 915 mm, with Bonaflex-hose plastic coated, with conical / knurled nut 1/2 x 1/2 inch x 1500 mm,

**KLUDI**  
**RAK**

Product: **SHOWER 1 S shower set**

Ref.: **6013105-81**

**Product description**

L = 600 mm  
 wall bar  
 with slider horizontally and vertically adjustable, with soap dish  
 with fixing kit  
 1 S hand-held shower DN 15  
 with rain shower  
 P- IX 18065 / IB  
 Logoflex-hose, plastic coated  
 with metal-effect and conical nuts  
 1/2 x 1/2 inch x 1500 mm

Finishes:  
 05 chrome plated

**Advertisement**

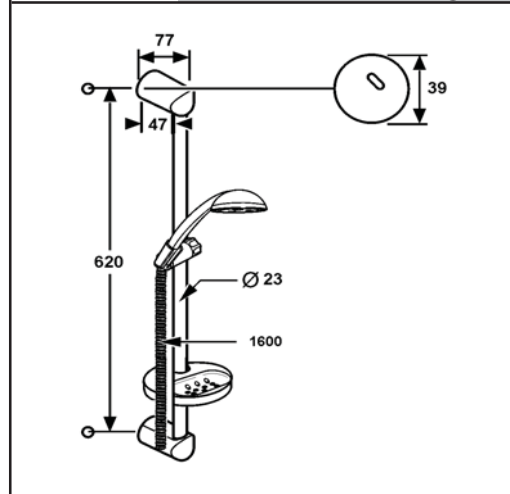
- \* KLUDI RAK LLC shower set  
 item no. 6013105-81
- \*\* chrome plated brass/plastic
- \*\*\* shower hose in acc. to DIN EN 1113
- \*\*\*\* handshower in acc. to DIN EN 1112

shower set, manufacturer KLUDI RAK LLC item no. 6013105-81, chrome plated plastic / brass, length 600 mm, with horizontal and vertical adjustable slider, wall bar with pipe diameter 23 mm, for borehole distance 620 mm, with soap dish, with Logoflex-hose plastic coated with metal effect, with conical nuts 1/2 x 1/2 inch x 1500 mm, with hand-held shower DN 15, chrome plated plastic, with rain shower, noise level DIN EN 4109 group I, report no. P- IX 18065 / IB

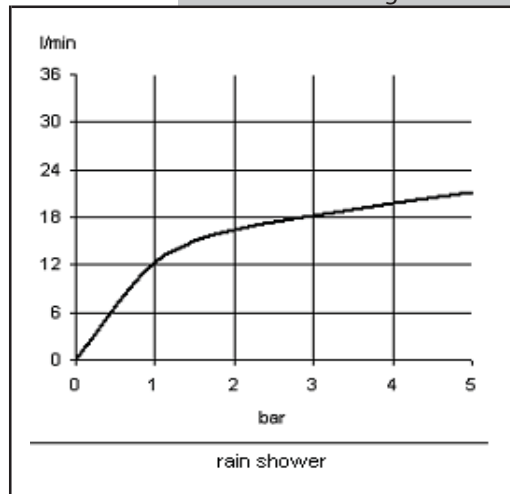
**Product picture**



**Dimensional drawing**



**Flow rate diagram**



**KLUDI**  
**RAK**

Product: **SHOWER 1 S shower set**

Ref.: **6014105-81**

**Product description**

L = 900  
 wall bar  
 with slider horizontally and vertically  
 adjustable, with soap dish  
 with fixing kit  
 1 S hand-held shower DN 15  
 with rain shower  
 P- IX 18065 / IB  
 Logoflex-hose, plastic coated  
 with metal-effect and conical nuts  
 1/2 x 1/2 inch x 1500 mm

Finishes:  
 05 chrome plated

**Advertisement**

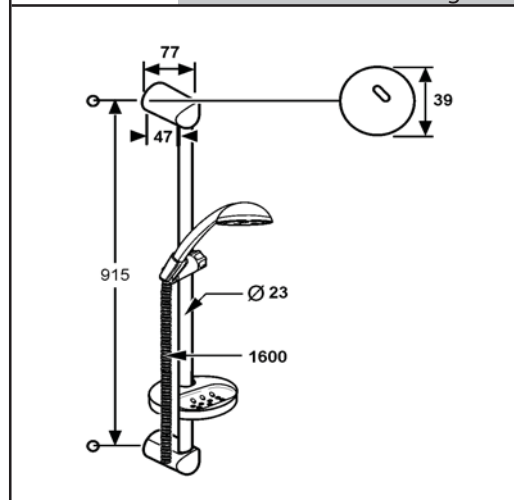
- \* KLUDI RAK LLC shower set  
 item no. 6014105-81
- \*\* chrome plated brass/plastic
- \*\*\* shower hose in acc. to DIN EN 1113
- \*\*\*\* handshower in acc. to DIN EN 1112

shower set, manufacturer KLUDI RAK LLC item no. 6014105-81, chrome plated plastic / brass, length 900 mm, with horizontal and vertical adjustable slider, wall bar with pipe diameter 23 mm, for borehole distance 915 mm, with soap dish, with Logoflex-hose plastic coated with metal effect, with conical nuts 1/2 x 1/2 inch x 1500 mm, with hand-held shower DN 15, chrome plated plastic, with rain shower, noise level DIN EN 4109 group I, report no. P- IX 18065 / IB

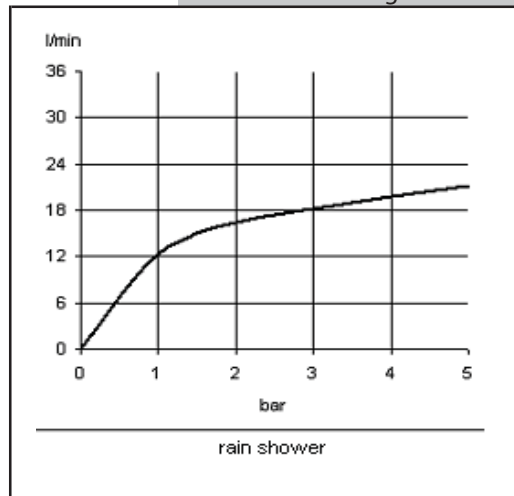
**Product picture**



**Dimensional drawing**



**Flow rate diagram**



**KLUDI**  
**RAK**

Product: **SHOWER 2 S Hand-held shower DN 15**

Ref.: **6020005-81**

**Product description**

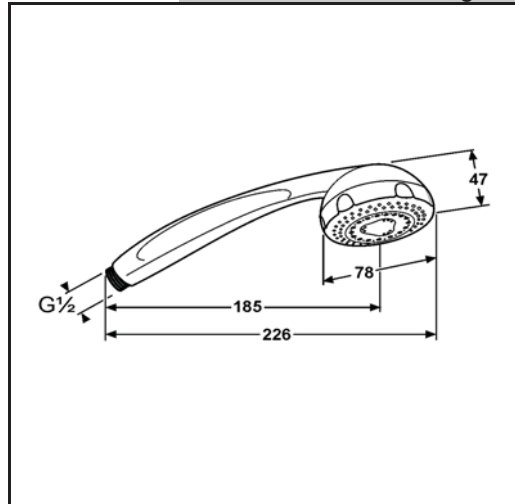
Hand-held shower  
with quick lime  
deposit cleaning system:  
rain shower  
soft spray  
P- IX 18066 / IB

Finishes:  
05 chrome plated

**Product picture**



**Dimensional drawing**

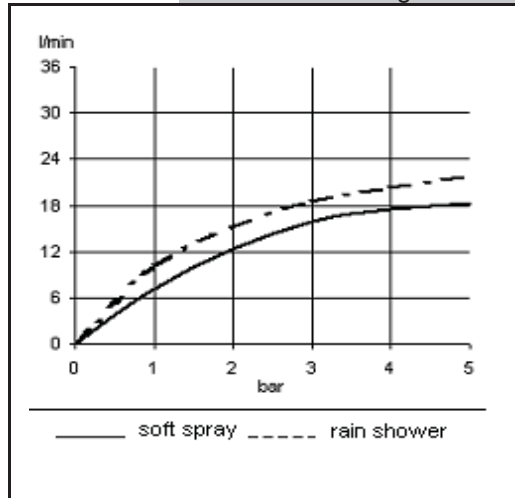


**Advertisement**

- \* KLUDI RAK LLC 2 S item no. 6020005-81
- \*\* chrome plated plastic
- \*\*\* in accord. to DIN EN 1112

Hand-held shower, manufacturer KLUDI RAK LLC 2 S item no. 602000581, DN 15, chrome plated plastic, noise level DIN EN 4109, group I report no. P- IX 18066/IB, flow class B (max. 0,42 l/s), with quick lime deposit cleaning system: rain shower / soft spray, for pressure type water heater, for continuous line heater (from 0,22 l/s), connection 1/2 inch, diameter shower head 78 mm, length 226 mm, in accordance to DIN EN 1112,

**Flow rate diagram**



**KLUDI**  
**RAK**

Product: **SHOWER 2 S shower set**

Ref.: **6023105-81**

**Product description**

L = 600 mm

wall bar

with slider horizontally and vertically

adjustable, with soap dish

with fixing kit

2 S hand-held shower DN 15

with quick lime deposit cleaning system:

rain shower / soft spray

Logoflex-hose, plastic coated

with metal-effect and conical nuts

1/2 x 1/2 inch x 1500 mm

Finishes:  
05 chrome plated

**Advertisement**

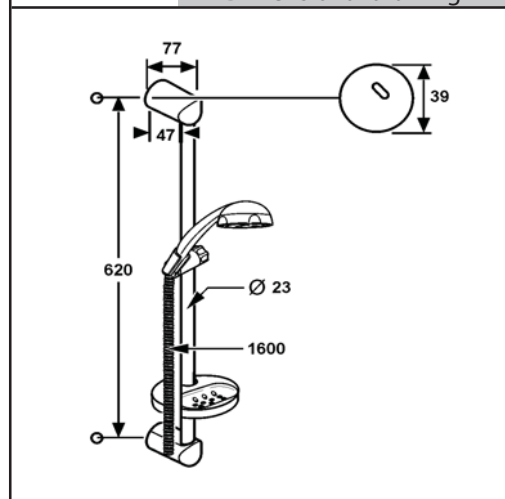
- \* KLUDI RAK LLC shower set  
item no. 6023105-81
- \*\* chrome plated brass/plastic
- \*\*\* shower hose in acc. to DIN EN 1113
- \*\*\*\* handshower in acc. to DIN EN 1112

shower set, manufacturer KLUDI RAK LLC item no. 6023105-81, chrome plated plastic / brass, length 600 mm, with horizontal and vertical adjustable slider, wall bar with pipe diameter 23 mm, for borehole distance 620 mm, with soap dish, with Logoflex-hose plastic coated with metal effect, with conical nuts 1/2 x 1/2 inch x 1500 mm, with hand-held shower DN 15, chrome plated plastic, with quick lime deposit cleaning system: rain shower / soft spray, noise level DIN EN 4109 group I, report no. P- IX 18066 / IB

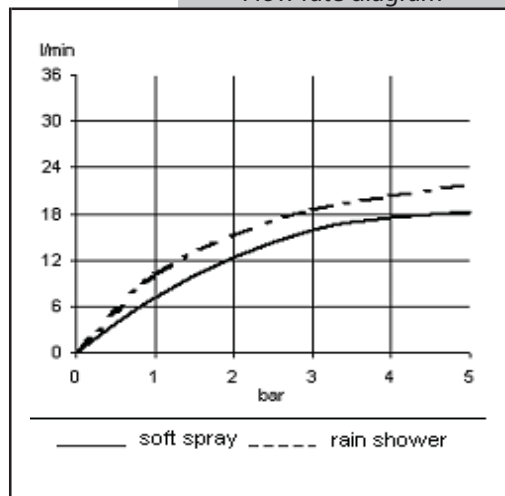
**Product picture**



**Dimensional drawing**



**Flow rate diagram**



**KLUDI**  
**RAK**

Product: **SHOWER 2 S shower set**

Ref.: **6024105-81**

**Product description**

L = 900 mm

wall bar

with slider horizontally and vertically

adjustable, with soap dish

with fixing kit

2 S hand-held shower DN 15

with quick lime deposit cleaning system:

rain shower / soft spray

Logoflex-hose, plastic coated

with metal-effect and conical nuts

1/2 x 1/2 inch x 1500 mm

Finishes:

05 chrome plated

**Advertisement**

\* KLUDI RAK LLC shower set

item no. 6024105-81

\*\* chrome plated brass/plastic

\*\*\* shower hose in acc. to DIN EN 1113

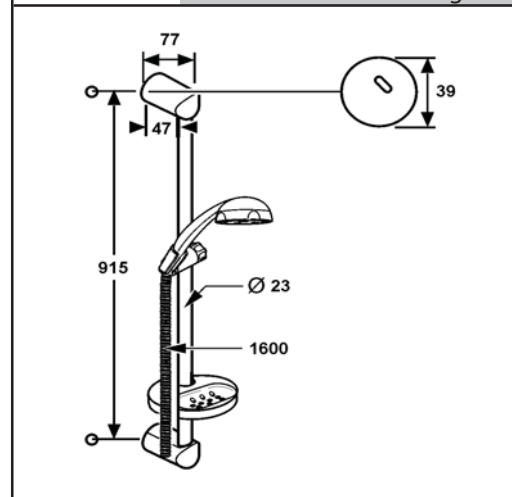
\*\*\*\* handshower in acc. to DIN EN 1112

shower set, manufacturer KLUDI RAK LLC item no. 6024105-81, chrome plated plastic / brass, length 900 mm, with horizontal and vertical adjustable slider, wall bar with pipe diameter 23 mm, for borehole distance 915 mm, with soap dish, with Logoflex-hose plastic coated with metal effect, with conical nuts 1/2 x 1/2 inch x 1500 mm, with hand-held shower DN 15, chrome plated plastic, with quick lime deposit cleaning system: rain shower / soft spray, noise level DIN EN 4109 group I, report no. P- IX 18066 / IB

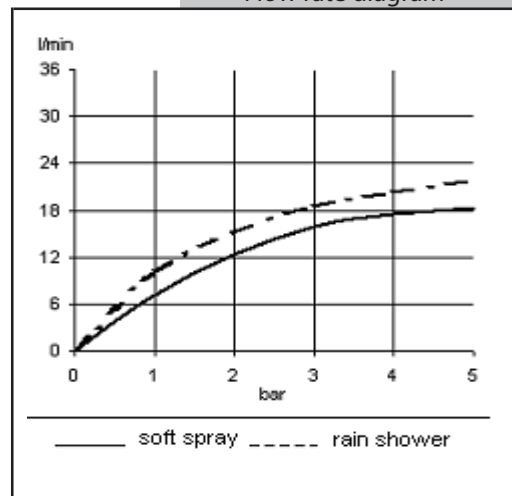
**Product picture**



**Dimensional drawing**



**Flow rate diagram**



**KLUDI**  
**RAK**

**Product:** SHOWER 3 S Hand-held shower DN 15

**Ref.:** 6030005-81

**Product description**

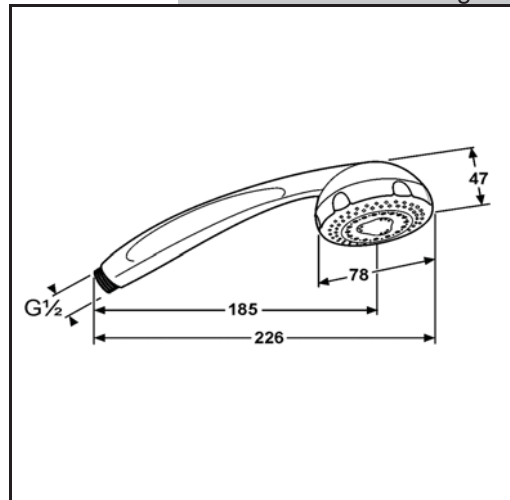
Hand-held shower  
with quick lime  
deposit cleaning system:  
rain shower  
soft spray  
massage spray  
P- IX 18067 / IB

Finishes:  
05 chrome plated

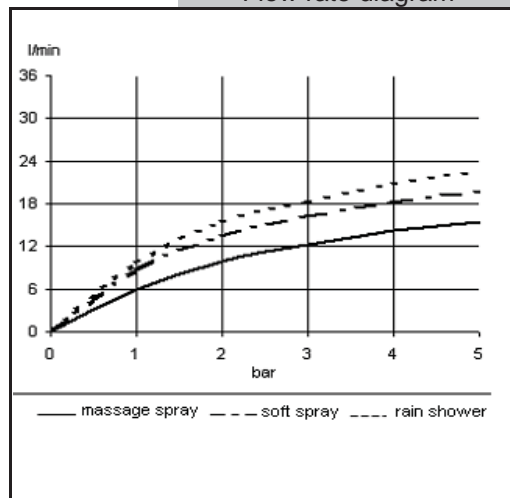
**Product picture**



**Dimensional drawing**



**Flow rate diagram**



**Advertisement**

- \* KLUDI RAK LLC item no. 6030005-81
- \*\* chrome plated plastic
- \*\*\* in accord. to DIN EN 1112

Hand-held shower, manufacturer KLUDI RAK LLC 3 S item no. 6030005-81, DN 15, chrome plated plastic, noise level DIN EN 4109, group I report no. P- IX 18067/IB, flow class B (max. 0,42 l/s), with quick lime deposit cleaning system: rain shower / soft spray / massage spray, for pressure type water heater, for continuous line heater (from 0,22 l/s), connection 1/2 inch, diameter shower head 78 mm, length 226 mm, in accordance to DIN EN 1112,

**KLUDI**  
**RAK**



**Product:** SHOWER 3 S shower set

**Ref.:** 6033105-81

**Product description**

L = 600 mm

wall bar

with slider horizontally and vertically adjustable, with soap dish

with fixing kit

3 S hand-held shower DN 15

with quick lime deposit cleaning system:

rain shower / soft spray / massage spray

with Logoflex-hose, plastic coated

with metal-effect and conical nuts

1/2 x 1/2 inch x 1500 mm

Finishes:

05 chrome plated

**Advertisement**

\* KLUDI RAK LLC shower set

item no. 6033105-81

\*\* chrome plated brass/plastic

\*\*\* shower hose in acc. to DIN EN 1113

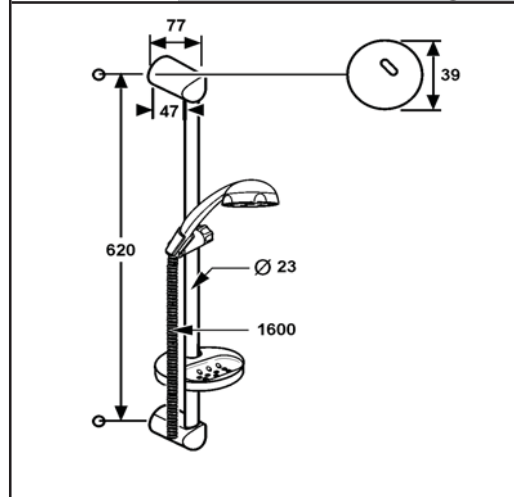
\*\*\*\* handshower in acc. to DIN EN 1112

shower set, manufacturer KLUDI RAK LLC item no. 6033105-81, chrome plated plastic / brass, length 600 mm, with horizontal and vertical adjustable slider, sliding bar with pipe diameter 23 mm, for borehole distance 620 mm, with soap dish, with Logoflex-hose plastic coated with metal effect, with conical nuts 1/2 x 1/2 inch x 1500 mm, with hand-held shower DN 15, chrome plated plastic, with deposit cleaning system: rain shower / soft spray / massage spray, noise level DIN EN 4109 group I, report no. P- IX 18067 / IB

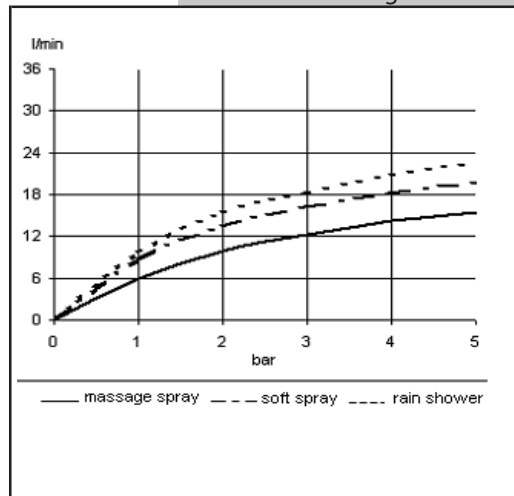
**Product picture**



**Dimensional drawing**



**Flow rate diagram**



**KLUDI**  
**RAK**

Product: **SHOWER 3 S shower set**

Ref.: **6034105-81**

**Product description**

L = 900 mm  
 wall bar  
 with slider horizontally and vertically adjustable, with soap dish  
 with fixing kit  
 3 S hand-held shower DN 15  
 with quick lime deposit cleaning system:  
 rain shower / soft spray / massage spray  
 Logoflex-hose, plastic coated  
 with metal-effect and conical nuts  
 1/2 x 1/2 inch x 1500 mm

Finishes:  
 05 chrome plated

**Advertisement**

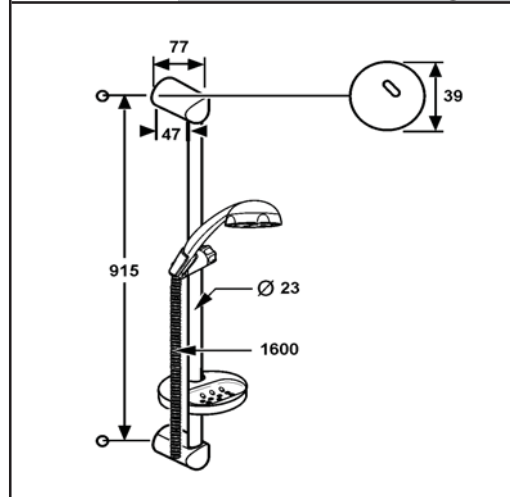
- \* KLUDI RAK LLC shower set  
 item no. 6034105-81
- \*\* chrome plated brass/plastic
- \*\*\* shower hose in acc. to DIN EN 1113
- \*\*\*\* handshower in acc. to DIN EN 1112

shower set, manufacturer KLUDI RAK LLC item no. 6034105-81, chrome plated plastic / brass, length 900 mm, with horizontal and vertical adjustable slider, wall bar with pipe diameter 23 mm, for borehole distance 915 mm, with soap dish, with Logoflex-hose plastic coated with metal effect, with conical nuts 1/2 x 1/2 inch x 1500 mm, with hand-held shower DN 15, chrome plated plastic, with quick lime deposit cleaning system: rain shower / soft spray / massage spray, noise level DIN EN 4109 group I, report no. P- IX 18067 / IB

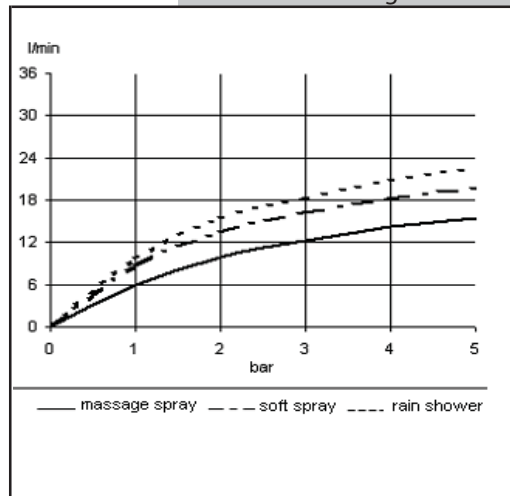
**Product picture**



**Dimensional drawing**



**Flow rate diagram**



**KLUDI**  
**RAK**

Product: **SHOWER 1 S Hand-held shower DN 15**

Ref.: **7310005-00**

**Product description**

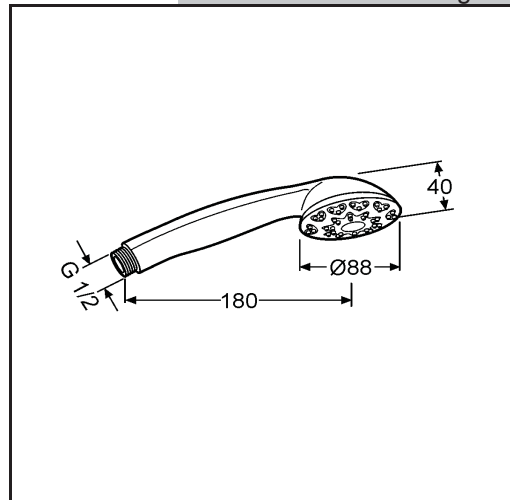
hand-held shower  
with rain shower  
suitable for water heater with a flow  
capacity of at least 13 l/min

Finishes:  
05 chrome plated

**Product picture**



**Dimensional drawing**

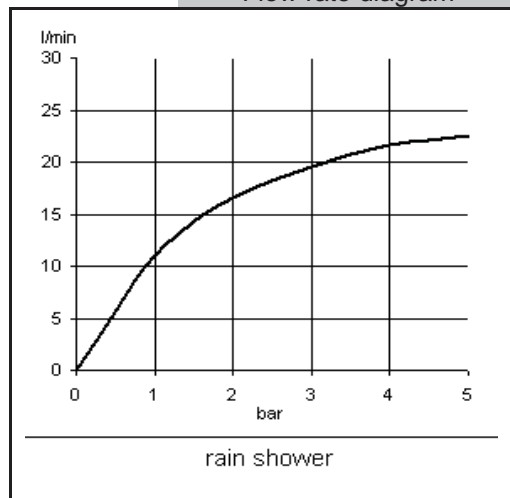


**Advertisement**

- \* KLUDI RAK LLC item no. 7310005-00
- \*\* chrome plated plastic
- \*\*\* in accordance to .. EN 1112

handshower DN 15, manufacturer KLUDI RAK LLC item no. 7310005-00, DN 15, chrome plated plastic, noise level DIN EN 4109 group I, without report no., flow class B (max. 0,42 l/s), cleaning system, rain shower, connection G 1/2, diameter shower head 88 mm, length 180 mm, for pressure type water heater, for continuous line heater, in accord. to ..EN 1112,

**Flow rate diagram**



**KLUDI**  
**RAK**

Product: **Wall-mounted shower holder**

Ref.: **6055105-00**

**Product description**

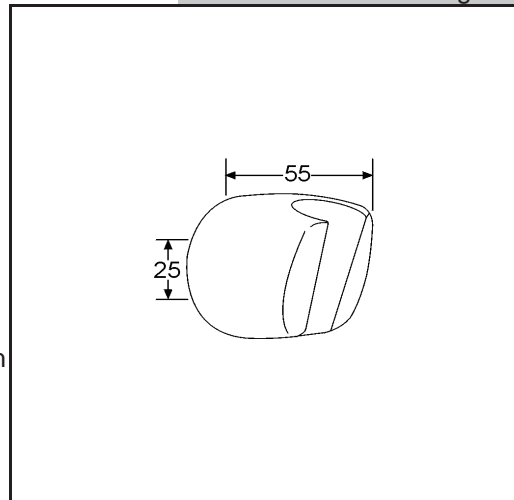
shower holder  
wall-mounted  
chrome plated plastic  
with fixing kit

Finishes:  
05 chrome plated

**Product picture**



**Dimensional drawing**



**Flow rate diagram**



**Advertisement**

- \* KLUDI RAK LLC item no. 6055105-00
- \*\* chrome plated plastic

shower holder, manufacturer KLUDI RAK LLC item no. 6055105-00, chrome plated plastic, fixed shower holder, with fixing kit, for hoses with conical nuts, wall-mounted,

Product: **Ceiling Shower arm 150 mm DN 15**

Ref.: **RAK10011**

**Product description**

ceiling shower arm DN 15  
 1/2 inch male thread  
 length 150 mm  
 without overhead shower

Finishes:  
 chrome plated

**Advertisement**

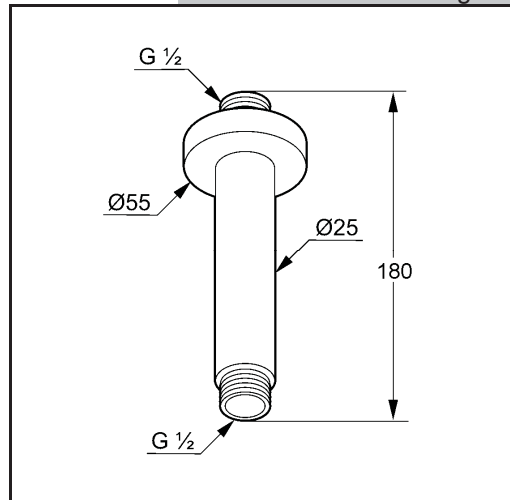
- \* KLUDI RAK ceiling shower arm 150 mm item no. RAK10011
- \*\* chrome plated brass, DIN 50930-6
- \*\*\* ajar to DIN EN 200

ceiling shower arm, manufacturer KLUDI RAK ceiling shower arm 150 mm item no. RAK10011, DN 15, chrome plated brass, length 150 mm, 1/2 inch male thread connection.

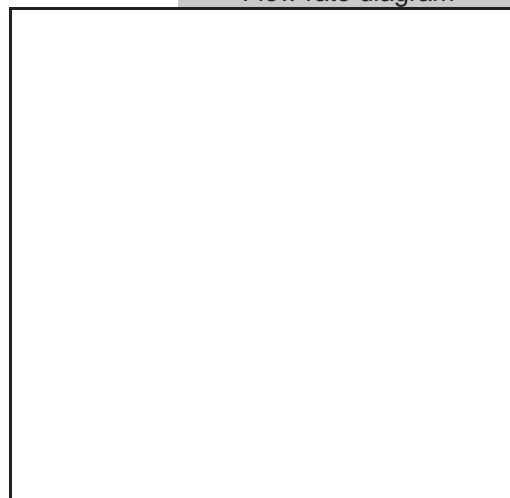
**Product picture**



**Dimensional drawing**



**Flow rate diagram**



Product: **Shower arm 250 mm DN 15**

Ref.: **RAK10012**

Product description

shower arm DN 15  
 projection 250 mm  
 with sliding cover plate  
 male thread 1/2 inch

Finishes:  
 chrome plated

Advertisement

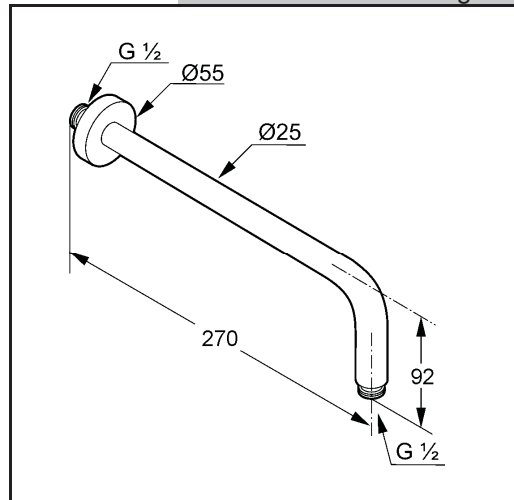
- \* KLUDI RAK shower arm item no. RAK10012
- \*\* chrome plated brass, DIN 50930-6
- \*\*\* ajar to DIN EN 200

shower arm, manufacturer KLUDI RAK shower arm item no. RAK10012, DN 15, chrome plated brass DIN EN 50930-6, rigid shower arm for overhead showers with ball joint, diameter rosette  $\varnothing$  55 mm, projection 250 mm, male thread connection 1/2 inch,

Product picture



Dimensional drawing



Flow rate diagram



**KLUDI**  
**RAK**

Product: **Overhead shower DN 15**

Ref.: **RAK10013**

Product description

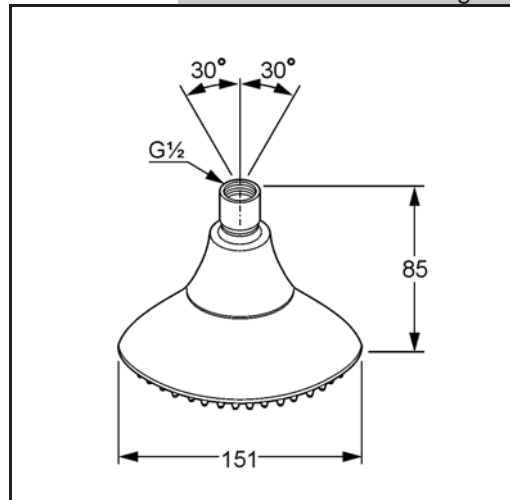
overhead shower with swivel ball joint DN 15  
 overhead shower Ø 151 mm  
 female thread ½ inch  
 jet kind: rain shower  
 DIN EN 1112  
 without shower arm ½ inch RAK10012/RAK12013

Finishes:  
 chrome plated

Product picture



Dimensional drawing

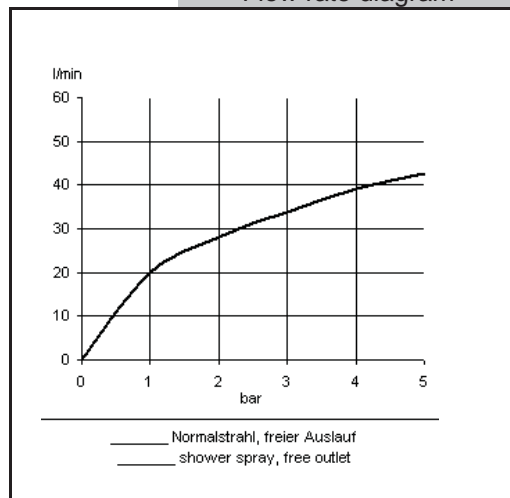


Advertisement

- \* KLUDI RAK LLC over head shower item no. RAK10013
- \*\* chrome plated plastic/brass
- \*\*\* DIN EN 1112

overhead shower, manufacturer KLUDIRAK LLC overhead shower item no. RAK10013, DN 15, chrome plated plastic, flow rate 3 bar flow pressure max. 0,56 l/s, diameter overhead shower Ø 151 mm, with ball joint 1/2 inch female connection, with cleaning system, with 60 jets, for shower arm RAK10012/RAK12013, for pressure type water heater, for continuous line heater,

Flow rate diagram



**KLUDI**  
**RAK**



Product: **Overhead shower Ø 200 mm DN 15**

Ref.: **RAK11012**

Product description

overhead shower DN 15  
 Ø 200 mm  
 with swivel ball joint  
 ½" inch female thread  
 without shower arm

Finishes:  
 chrome plated

Advertisement

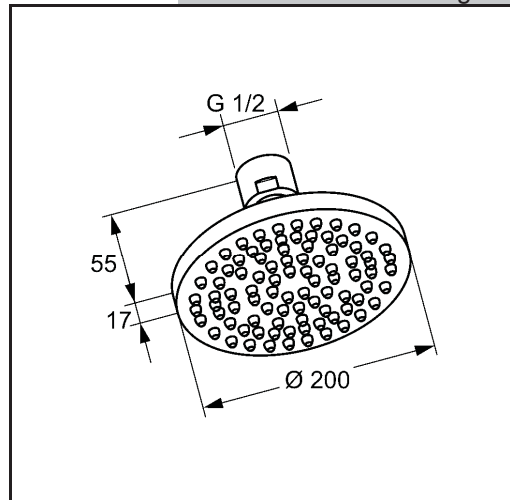
- \* KLUDI RAK LLC over head shower item no. RAK11012
- \*\* chrome plated brass/plastic
- \*\*\* ajar to DIN EN 1112

overhead shower, manufacturer KLUDI RAK LLC overhead shower item no. RAK11012, DN 15, chrome plated brass/plastic, flow rate at 3 bar max. 0,63 l/s, noise level DIN EN 4109 group I, without report no., diameter overhead shower 200 mm, with ball joint, female thread connection 1/2 inch, with cleaning system, with 120 jets, for pressure type water heater, for continuous line heater,

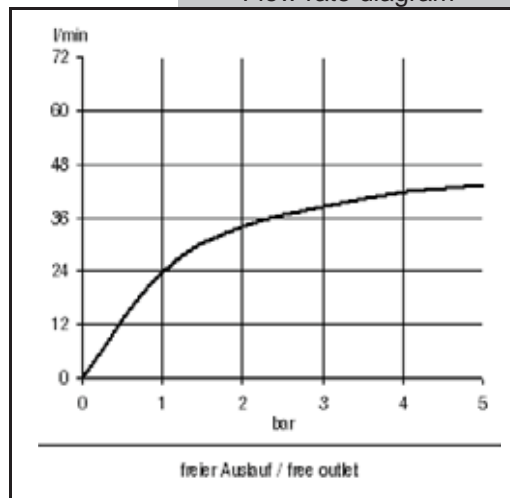
Product picture



Dimensional drawing



Flow rate diagram



**KLUDI**  
**RAK**

Product: **Logoflex-hose DN 15**

Ref.: **6105605-00**

Product description

Logoflex-hose  
plastic coated with  
metal-effect  
with conical nuts  
1/2 x 1/2 inch x 1500

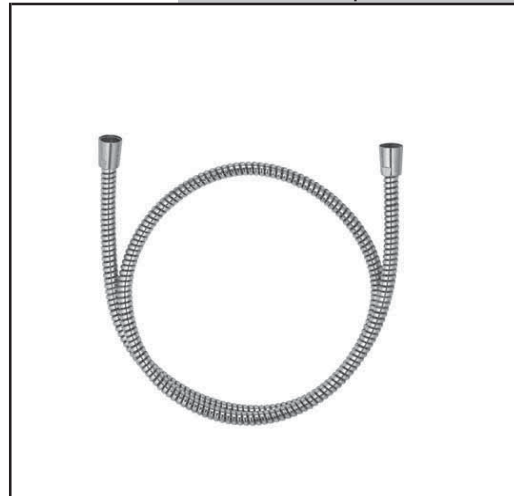
Finishes:  
05 chrome plated

Advertisement

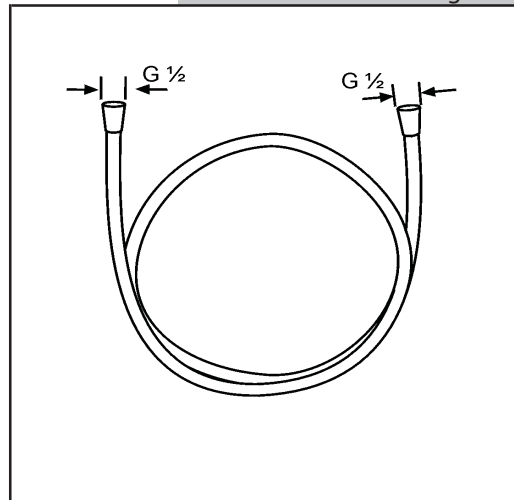
- \* KLUDI RAK LLC item no. 6105605-00
- \*\* plastic coated with metal-effect
- \*\*\* in accordance to .. EN 1113

shower hose DN 15, manufacturer KLUDI RAK LLC  
Logoflex hose item no. 6105605-00, DN 15, plastic coated  
with metal-effect, with conical nuts chrome plated 1/2 x 1/2  
inch x 1500 mm,

Product picture



Dimensional drawing



Flow rate diagram



**KLUDI**  
**RAK**

**Product:** Dual shower system L = 1300 mm

**Ref.:** 6167705-00

**Product description**

solid lever  
 wall fastening  
 two-way ceramic diverter  
 hand-/head-shower  
 swivel headshower with normal spray  
 with 1 S Hand-held shower 1/2 inch  
 ridgeless adjustable shower holder  
 vertically and horizontally adjustable shower holder  
 shower hoses with metal cover 1/2 inch  
 with fixing kit

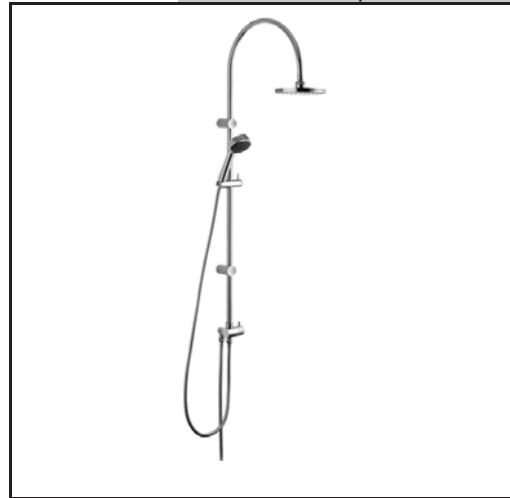
Finishes:  
 05 chrome plated

**Advertisement**

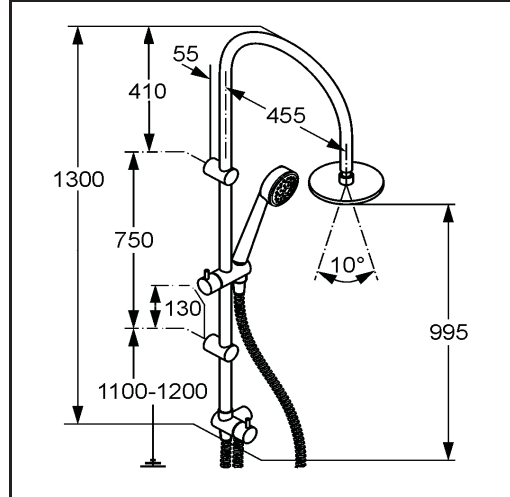
- \* KLUDI RAK LLC Dual shower system item no. 6167705-00
- \*\* chrome plated brass
- \*\*\* two way ceramic diverter
- \*\*\*\* in acc. to DIN EN 1112/ 1113

Dual shower system DN 15, manufacturer KLUDI RAK LLC  
 Dual shower system item no. 6167705-00, DN 15, chrome plated brass, type: dual shower system DN 15 for combination with single lever shower mixer or thermostat shower mixer with protection against back flow DIN EN 1717, for wall fastening, with ceramic two-way diverter, with 1 S hand-held shower with shower spray DN 15, with cleaning system, noise level in accordance to DIN EN 4109, group I, with metal shower hose 1/2 inch length 800 mm for connection between shower system and shower mixer, with metal shower hose 1/2 inch length 1500 mm for using the hand-held shower, chrome plated headshower with 89 shower sprays with normal spray, swivel range 10 °, for pressure type water heater, for continuous line heater, with fixing kit, without shower mixer DN 15, with one fixed wall holder (above) and one adjustable wall holder (lower) for borehole distance 620 - 750 mm,

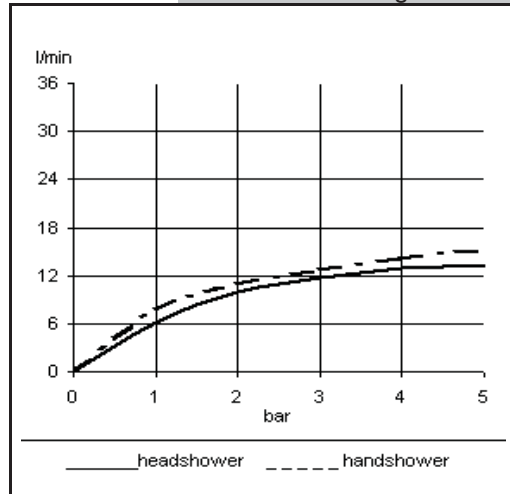
Product picture



Dimensional drawing



Flow rate diagram



**KLUDI**  
**RAK**

Product: **SHOWER 1 S Hand-held shower DN 15**

Ref.: **7310005-00**

**Product description**

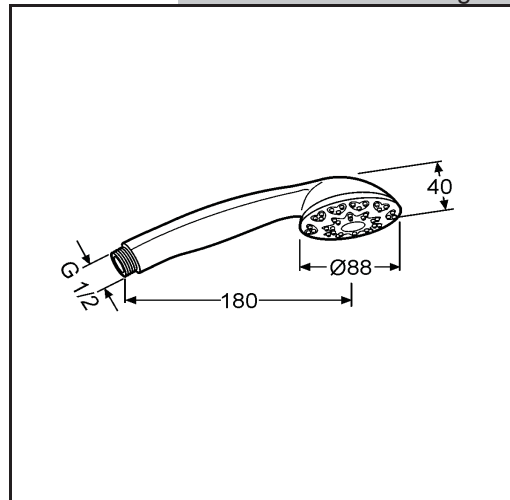
hand-held shower  
with rain shower  
suitable for water heater with a flow  
capacity of at least 13 l/min

Finishes:  
05 chrome plated

**Product picture**



**Dimensional drawing**

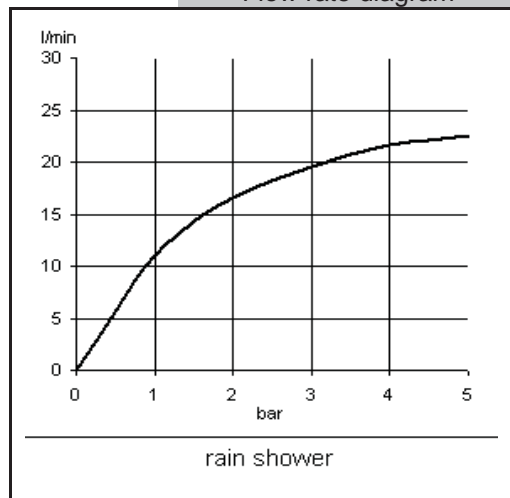


**Advertisement**

- \* KLUDI RAK LLC item no. 7310005-00
- \*\* chrome plated plastic
- \*\*\* in accordance to .. EN 1112

handshower DN 15, manufacturer KLUDI RAK LLC item no. 7310005-00, DN 15, chrome plated plastic, noise level DIN EN 4109 group I, without report no., flow class B (max. 0,42 l/s), cleaning system, rain shower, connection G 1/2, diameter shower head 88 mm, length 180 mm, for pressure type water heater, for continuous line heater, in accord. to ..EN 1112,

**Flow rate diagram**



**KLUDI**  
**RAK**

Product: **Concealed valve DN 15**

Ref.: **29209**

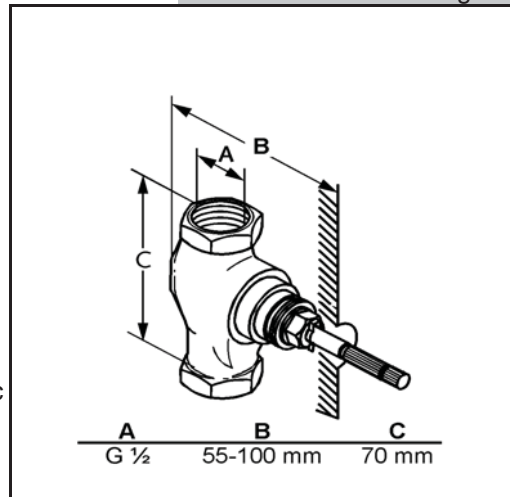
Product description  
connection 1/2 inch  
PA- IX 2427 / I

Finishes:  
05 chrome plated

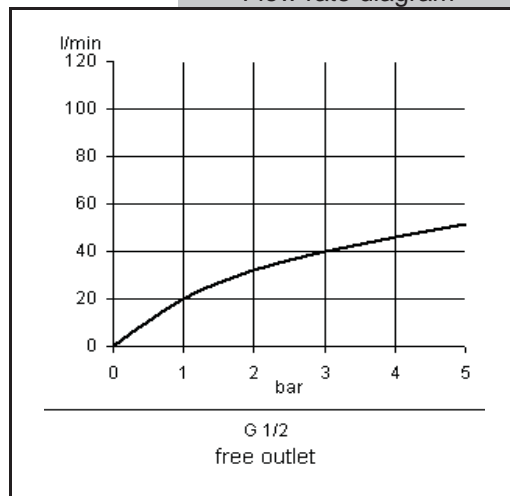
Product picture



Dimensional drawing



Flow rate diagram



Advertisement

- \* KLUDI RAK LLC item no. 29209
- \*\* chrome plated brass, ..EN 50930-6
- \*\*\* in accordance to .. EN 200

concealed valve DN 15, manufacturer KLUDI RAK LLC item no. 29209, DN 15, brass, internal thread 1/2 inch, noise level DIN EN 4109 group I, report no. PA- IX 2427 / I, classic headpart, for installation depth 55 - 100 mm, for pressure type water heater, for continuous line heater,

**KLUDI**  
**RAK**

Product: **Concealed valve DN 20**

Ref.: **29211**

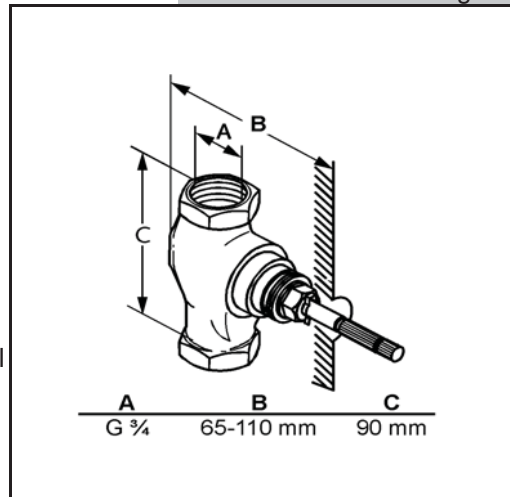
Product description  
connection 3/4 inch  
PA- IX 2427 / I

Finishes:  
05 chrome plated

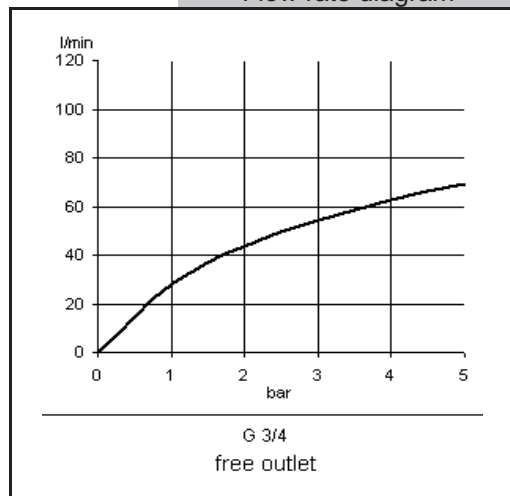
Product picture



Dimensional drawing



Flow rate diagram



Advertisement

- \* KLUDI RAK LLC item no. 29211
- \*\* chrome plated brass, ..EN 50930-6
- \*\*\* in accordance to .. EN 200

concealed valve DN 20, manufacturer KLUDI RAK LLC item no. 29211, DN 20, brass, internal thread 3/4 inch, noise level DIN EN 4109 group I, report no.PA- IX 2427 / I, classic headpart, for installation depth 65 - 110 mm, for pressure type water heater, for continuous line heater,

**KLUDI**  
**RAK**

Product: **Concealed valve DN 25**

Ref.: **29213**

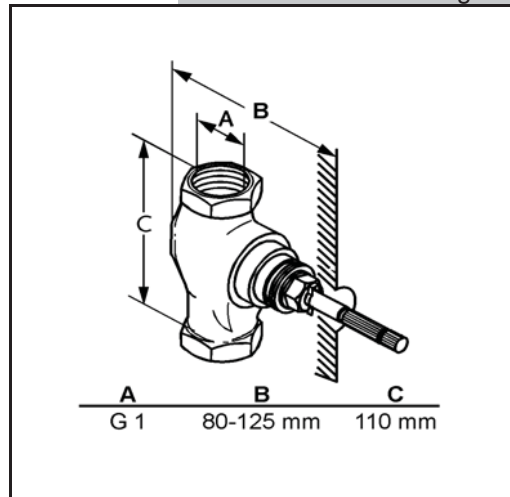
Product description  
 connection 1 inch  
 PA- IX 2483 / I

Finishes:  
 05 chrome plated

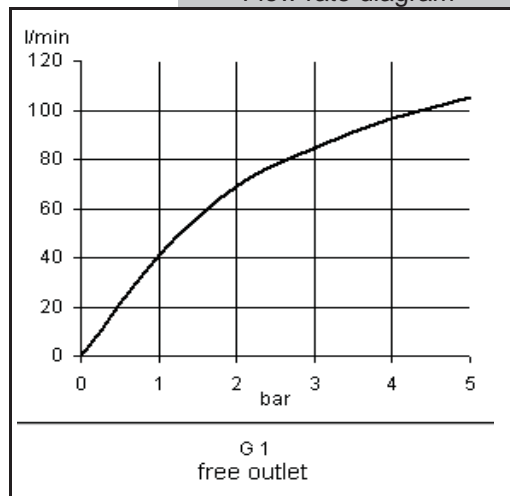
Product picture



Dimensional drawing



Flow rate diagram



Advertisement

- \* KLUDI RAK LLC item no. 29213
- \*\* chrome plated brass, ..EN 50930-6
- \*\*\* in accordance to .. EN 200

concealed valve DN 25, manufacturer KLUDI RAK LLC item no. 29213, DN 25, brass, internal thread 1 inch, noise level DIN EN 4109 group I, report no-. PA- IX 2483 / I, classic headpartl, for installation depth 80 - 125 mm, for pressure type water heater, for continuous line heater,

**KLUDI**  
**RAK**



Product: **bottle trap 1 1/4"**

Ref.: **1010505-01**

**Product description**

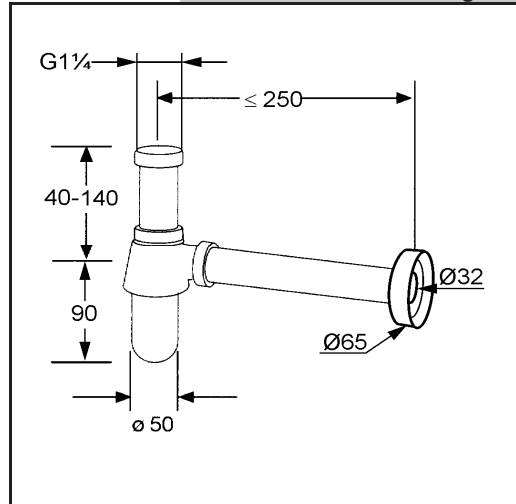
bottle trap 1 1/4"  
 G 1 1/4" x 32 mm  
 with outlet tube 32 x 200 mm  
 with wall flange (escutcheon)  
 with drain pipe 120 mm

Finishes:  
 05 chrome plated

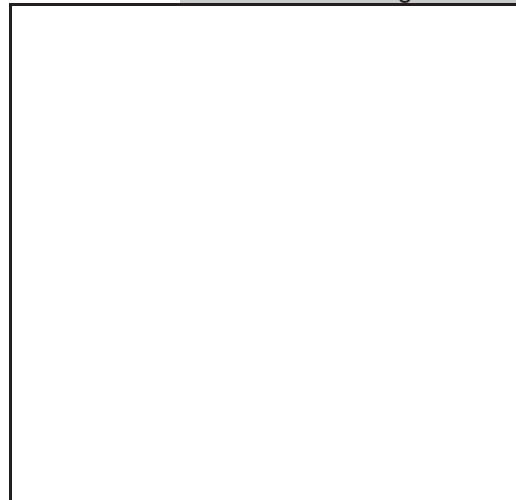
**Product picture**



**Dimensional drawing**



**Flow rate diagram**



**Advertisement**

- \* KLUDI RAK LLC item no. 1010505-01
- \*\* chrome plated brass, ..EN 50930-6
- \*\*\* in accordance to .. EN 274

bottle trap 1 1/4, manufacturer KLUDI RAK LLC item no. 1010505-01, chrome plated brass, rosette chrome plated diameter 65 mm, for wash basin, in acc. to DIN EN 274/19545, with outlet tube DN 32 x 200 mm, adjustable drain pipe 40 - 140 mm, diameter siphon 50 mm, for wall connection ≤ 250 mm,

**Product:** Ideal P-Trap G 1 1/4" x 32 mm

**Ref.:** 1025005-00

**Product description**

P-Trap G 1 1/4"  
 G 1 1/4" x 32 mm  
 adjustable drain pipe up to 70 mm  
 with outlet bend 32 x 220 mm  
 with wall flange (escutcheon)

Finishes:  
 05 chrome plated

**Advertisement**

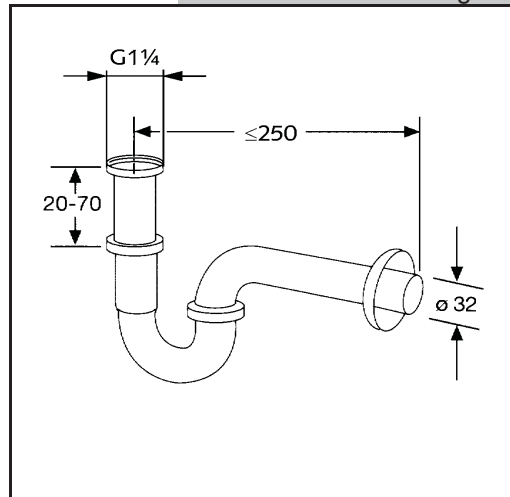
- \* KLUDI RAK LLC item no. 1025005-00
- \*\* chrome plated brass, ..EN 50930-6
- \*\*\* in accordance to .. EN 274

P - Trap G 1 1/4, manufacturer KLUDI RAK LLC item no. 1025005-00, chrome plated brass, rosette chrome plated diameter 65 mm, for wash basin, with outlet bend DN 32 x 200 mm, in acc. to DIN EN 19 545 / DIN EN 274, adjustable drain pipe up to 20 - 70 mm, for wall connection ≤ 250 mm,

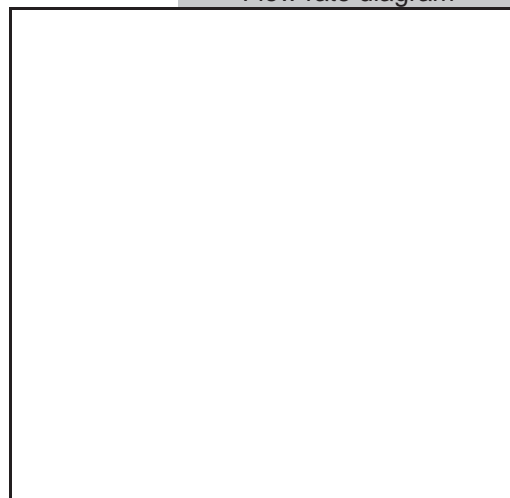
Product picture



Dimensional drawing



Flow rate diagram



**KLUDI**  
**RAK**

Product: **Wall-mounted shower holder**

Ref.: **6055105-00**

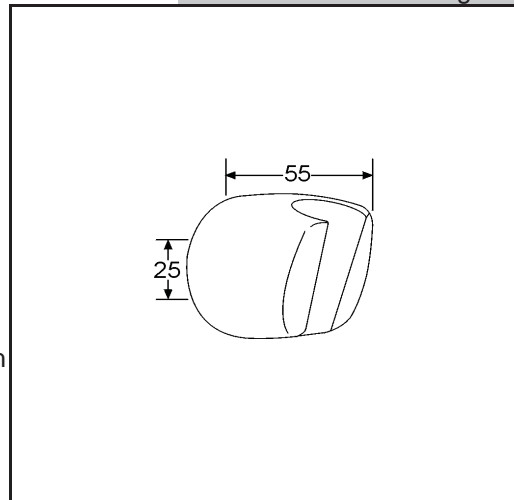
**Product description**  
shower holder  
wall-mounted  
chrome plated plastic  
with fixing kit

Finishes:  
05 chrome plated

Product picture



Dimensional drawing



Flow rate diagram



**Advertisement**

- \* KLUDI RAK LLC item no. 6055105-00
- \*\* chrome plated plastic

shower holder, manufacturer KLUDI RAK LLC item no. 6055105-00, chrome plated plastic, fixed shower holder, with fixing kit, for hoses with conical nuts, wall-mounted,

**KLUDI**  

---

**RAK**

Product: **Logoflex-hose DN 15**

Ref.: **6105605-00**

Product description

Logoflex-hose  
plastic coated with  
metal-effect  
with conical nuts  
1/2 x 1/2 inch x 1500

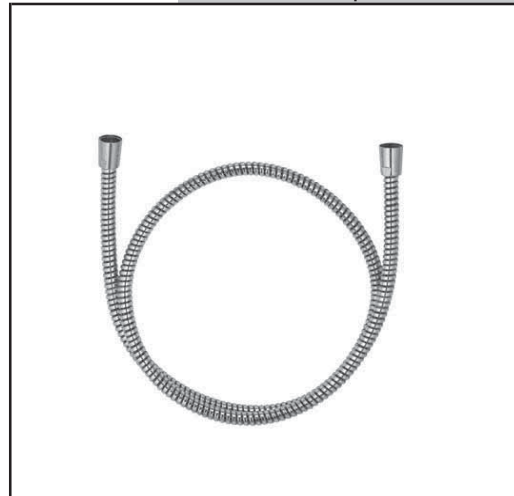
Finishes:  
05 chrome plated

Advertisement

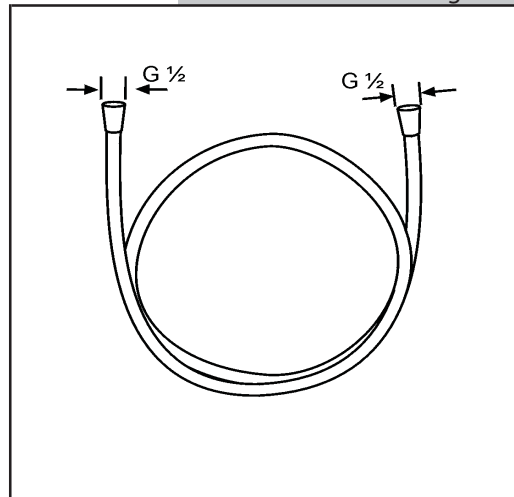
- \* KLUDI RAK LLC item no. 6105605-00
- \*\* plastic coated with metal-effect
- \*\*\* in accordance to .. EN 1113

shower hose DN 15, manufacturer KLUDI RAK LLC  
Logoflex hose item no. 6105605-00, DN 15, plastic coated  
with metal-effect, with conical nuts chrome plated 1/2 x 1/2  
inch x 1500 mm,

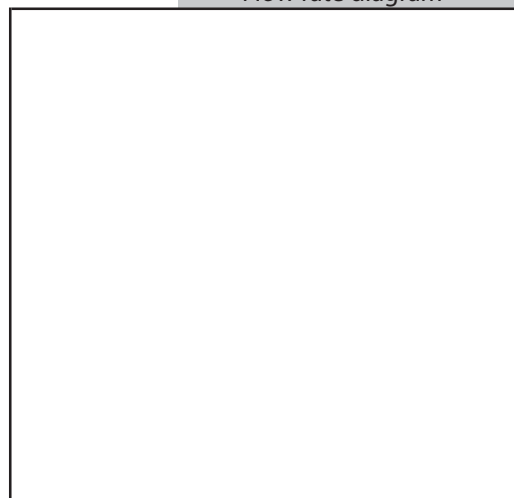
Product picture



Dimensional drawing



Flow rate diagram



**KLUDI**  
**RAK**

# KLUDI WATER-SAVING SYSTEM AERATORS

Kludi RAK is one of the pioneers in manufacturing water-saving faucets that contributes to eco-friendly society



- Upto 50% reduction in water wastage
- Constant flow rate under different pressure conditions
- Superior-lime protection
- Damage proof design
- Extended warranty
- Environmental friendly

*Every Drop Counts*

SAVE THE EARTH WITH KLUDI RAK  
WATER SAVING SYSTEM

**KLUDI**  

---

**RAK**

*"We Stand for Water Saving"*  
GERMAN FAUCETS MADE IN UAE



[www.kludirak.com](http://www.kludirak.com)

GERMAN FAUCETS MADE IN UAE



**KLUDI**  
**RAK**

*We stand for Water saving"*

P.O. Box: 6679, Ras Al Khaimah, United Arab Emirates

Phone: + 971 7 243 46 54 • Fax: +971 7 244 7759 • E-mail: [sales@kludirak.com](mailto:sales@kludirak.com) • Website: [www.kludirak.com](http://www.kludirak.com)